

4

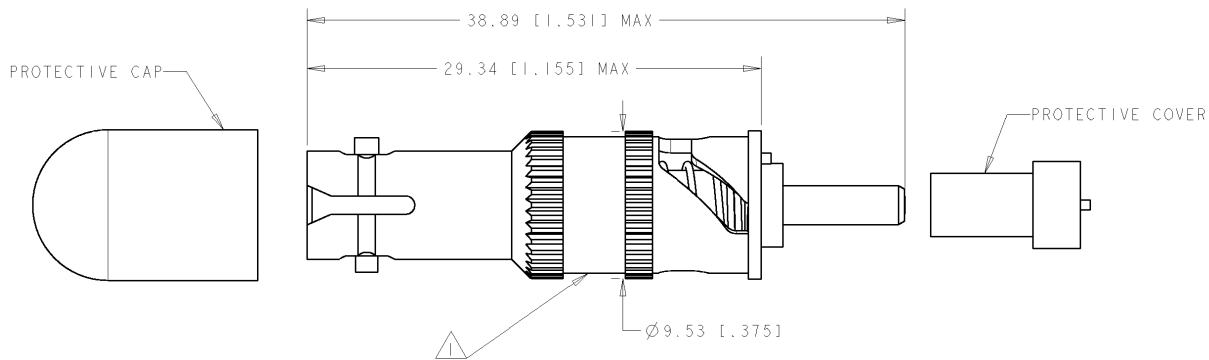
3

2

1

THIS DRAWING IS UNPUBLISHED. RELEASED FOR PUBLICATION 20
 © COPYRIGHT 20 BY TYCO ELECTRONICS CORPORATION. ALL RIGHTS RESERVED.

LOC	DIST	REVISIONS				
P	LTR	DESCRIPTION	DATE	DWN	APVD	
CE	00					
	B	ECR-06-029231	23MAR2007	EJH	SB	



PERFORMANCE REQUIREMENTS:
 OPERATING WAVELENGTH : 1310/1550 ±25nm
 OPERATING TEMPERATURE : -40°C TO +75°C
 REFLECTANCE : ≤ -55dB
 ATTENUATION TOLERANCE, AMBIENT:
 FOR ATTENUATORS ≥ 5dB: ± 15% OF NOMINAL ATTENUATION VALUE
 FOR ATTENUATORS < 5dB: ±0.75dB
 MEASURED WITH REFERENCE QUALITY LAUNCH LEADS

20	2-5417549-0
15	1-5417549-5
12	1-5417549-2
10	1-5417549-0
6	5417549-6
5	5417549-5
4	5417549-4
3	5417549-3
2	5417549-2
1	5417549-1
NOMINAL ATTENUATION VALUE (dB)	PART NUMBER

TYCO LOGO, ATTENUATION VALUE, PART NUMBER, AND SERIAL NUMBER ARE PRINTED ON THE LABEL.

<small>THIS DRAWING IS A CONTROLLED DOCUMENT FOR TYCO ELECTRONICS CORPORATION. IT IS SUBJECT TO CHANGE AND THE CONTROLLING ENGINEERING ORGANIZATION SHOULD BE CONTACTED FOR THE LATEST REVISION.</small>		DWN: 10JAN2005 CHK: E. HOPKINS E. HOPKINS S. RICHTER		Tyco Electronics Harrisburg, PA 17105-3608
DIMENSIONS: mm (inches) 		PRODUCT SPEC: - APPLICATION SPEC: - WEIGHT: -	NAME: ATTENUATOR, FOPC BOA ST/UPC DW SM	
TOLERANCES UNLESS OTHERWISE SPECIFIED: 0 PLC ±.1 1 PLC ±.0 2 PLC ±.38 3 PLC ±. 4 PLC ±. ANGLES ±. FINISH ±2		SIZE: A3 CAGE CODE: 00779 DRAWING NO: C-5417549	RESTRICTED TO: -	
MATERIAL: -		CUSTOMER DRAWING SCALE: 4:1 SHEET: 1 OF 1 REV: B		

AMP 1470-19 REV 31MAR2000