

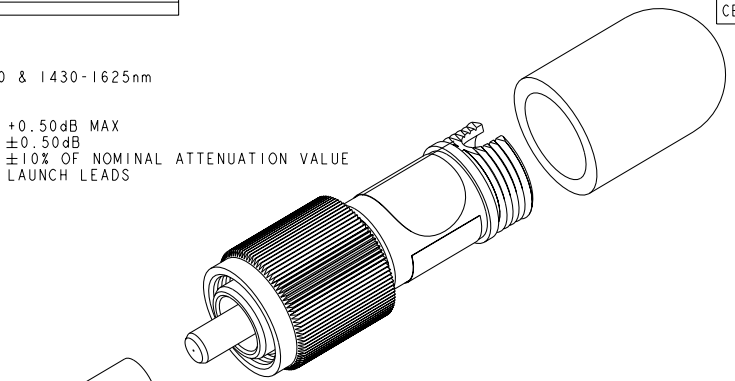
4 3 2 1

THIS DRAWING IS UNPUBLISHED. RELEASED FOR PUBLICATION BY TYCO ELECTRONICS CORPORATION. ALL RIGHTS RESERVED. COPYRIGHT 20

PERFORMANCE REQUIREMENTS:  
 OPERATING WAVELENGTH: 1260-1360 & 1430-1625nm  
 REFLECTANCE:  $\leq -55.5$ dB  
 ATTENUATION TOLERANCE, AMBIENT:  
 FOR 0dB ATTENUATORS : +0.50dB MAX  
 FOR ATTENUATORS  $\leq 5$ dB :  $\pm 0.50$ dB  
 FOR ATTENUATORS  $> 5$ dB :  $\pm 10\%$  OF NOMINAL ATTENUATION VALUE  
 MEASURED WITH REFERENCE QUALITY LAUNCH LEADS

ENDFACE GEOMETRY:  
 ROC: 10-25mm  
 APEX OFFSET:  $< 50$ um  
 FIBER HEIGHT:  $\pm 50$ nm

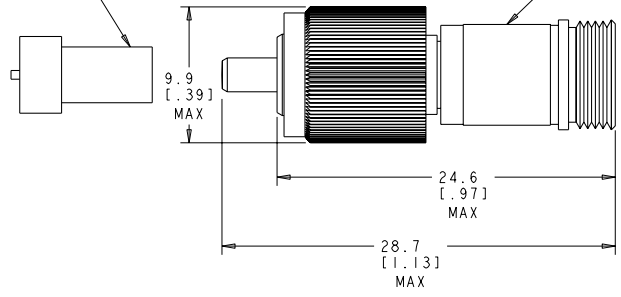
REVISIONS				
P	LYR	DESCRIPTION	DATE	BY
C		REVISE PER ECR-08-012828	02JUL2008	BB DK



NOMINAL ATTENUATION VALUE (dB)	PART NUMBER
0.5	7-5209285-0
0	9-5209285-9
1	5209285-1
2	5209285-2
3	5209285-3
4	5209285-4
5	5209285-5
6	5209285-6
7	5209285-7
7.5	7-5209285-7
8	5209285-8
9	5209285-9
10	1-5209285-0
11	1-5209285-1
12	1-5209285-2
13	1-5209285-3
14	1-5209285-4
15	1-5209285-5
18	1-5209285-8
19	1-5209285-9
20	2-5209285-0
25	2-5209285-5

PROTECTIVE COVER

PROTECTIVE CAP



TYCO ELECTRONICS LOGO, ATTENUATION VALUE, PART NUMBER, AND SERIAL NUMBER ARE PRINTED ON THE LABEL.

DIMENSIONS: mm( INCHES ) 	TO BE PRINTED ON THE LABEL: DIMENSIONS: mm( INCHES ) 	DATE: 19DEC2005 BY: HOPKINS CHECKED: HOPKINS APPROVED: BLUCHTER PRODUCT SPEC: APPLICATION SPEC: WEIGHT: MATERIAL:	DATE: 19DEC2005 NAME: S. BLUCHTER TITLE: CASE CODE DRAWING NO: A200779 SCALE: 5:1 SHEET: 1 OF 1 REV: C	Tyco Electronics Harrisburg, PA 17105-3608 <b>ATTENUATOR, FOPC BOA FC/UPC BP SM</b> RESTRICTED TO:
---------------------------------	--	--	--	---