

4

3

2

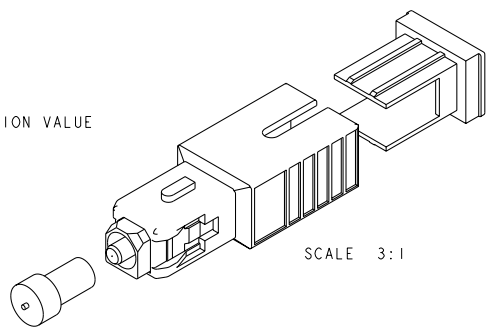
1

THIS DRAWING IS UNPUBLISHED. RELEASED FOR PUBLICATION
 BY TYCO ELECTRONICS CORPORATION. ALL RIGHTS RESERVED.

REVOLUTIONS		DATE	BY	APP'D
P	LYA			
BI	ADD	-16/17/19/21/23/24	26MAR2009	JZ RZ

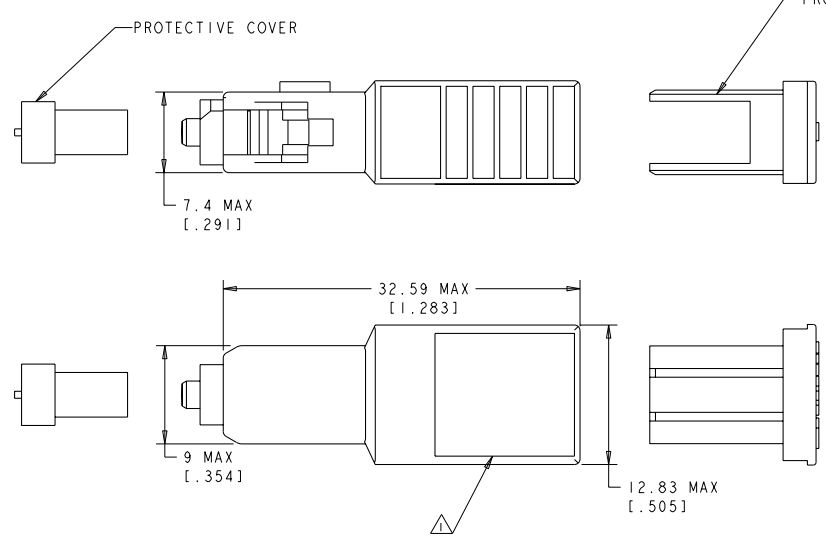
PERFORMANCE REQUIREMENTS:
 OPERATING WAVELENGTH : 1260-1360 & 1430-1625nm
 REFLECTANCE : ≤ -55 dB
 OPERATING TEMPERATURE : -40°C TO $+75^{\circ}\text{C}$
 ATTENUATION TOLERANCE, AMBIENT :
 FOR 0 dB ATTENUATORS : $+ 0.50$ dB MAX
 FOR ATTENUATORS ≤ 5 dB : ± 0.50 dB
 FOR ATTENUATORS > 5 dB : $\pm 10\%$ OF NOMINAL ATTENUATION VALUE
 MEASURED WITH REFERENCE QUALITY LAUNCH LEADS

ENDFACE GEOMETRY:
 R.O.C. : 10-25mm
 APEX OFFSET : < 50 um
 FIBER HEIGHT : ± 50 nm



SCALE 3:1

NOMINAL ATTENUATION VALUE (dB)	PART NUMBER
0	9-5209250-9
0.5	7-5209250-0
1	5209250-1
1.5	7-5209250-1
2	5209250-2
2.5	7-5209250-2
3	5209250-3
3.5	7-5209250-3
4	5209250-4
4.5	7-5209250-4
5	5209250-5
5.5	7-5209250-5
6	5209250-6
6.5	7-5209250-6
7	5209250-7
7.5	7-5209250-7
8	5209250-8
9	5209250-9
10	1-5209250-0
11	1-5209250-1
12	1-5209250-2
13	1-5209250-3
14	1-5209250-4
15	1-5209250-5
16	1-5209250-6
17	1-5209250-7
18	1-5209250-8
19	1-5209250-9
20	2-5209250-0
21	2-5209250-1
22	2-5209250-2
23	2-5209250-3
24	2-5209250-4
25	2-5209250-5



TYCO LOGO, ATTENUATION VALUE, PART NUMBER, AND SERIAL NUMBER ARE PRINTED ON THE LABEL.

DATE: 05DEC2005	BY: HOPKINS	CHK: HOPKINS	APP'D: S. BLUCHTER	NAME: ATTENUATOR, FOPC BOA SC/UPC BP SM
DIMENSIONS: mm (INCHES)	TOLERANCES UNLESS OTHERWISE SPECIFIED:	0 PLC ±	1 PLC ±	2 PLC ±
		3 PLC ±	4 PLC ±	ANGLES ±
MATERIAL:	FINISH:	WEIGHT:	SIZE: A2	CAGE CODE: 00779
			DRAWING NO: 5209250	RESTRICTED TO:
CUSTOMER DRAWING			SCALE: 4:1	SHEET 1 OF 1 REV B1