

4

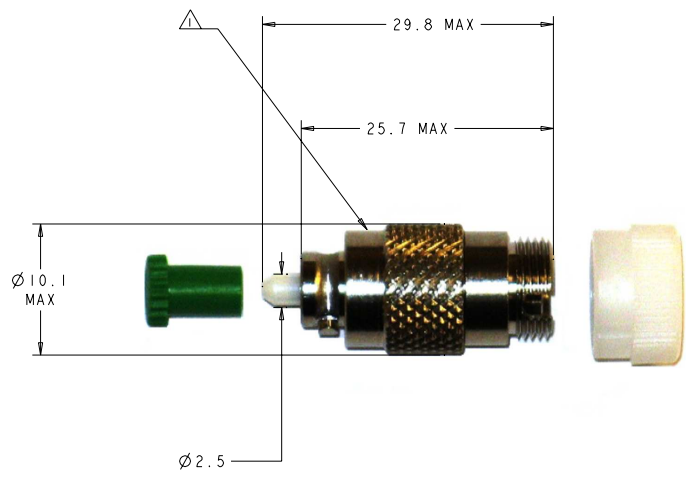
3

2

1

THIS DRAWING IS UNPUBLISHED. RELEASED FOR PUBLICATION BY TYCO ELECTRONICS CORPORATION. ALL INTERNATIONAL RIGHTS RESERVED. COPYRIGHT

REV	DATE	BY	CHK	APPROV
E	20080308	BB	DK	
E1	20060210	IL	CT	



PERFORMANCE REQUIREMENTS:  
 OPERATING WAVELENGTH: 1260-1360nm & 1430-1625nm.  
 OPERATING TEMPERATURE: -40°C TO +75°C  
 REFLECTANCE: <math>\leq -65\text{dB}</math>  
 ATTENUATION TOLERANCE, AMBIENT:  
 FOR ATTENUATORS  $\geq 5\text{dB}$ :  $\pm 10\%$  OF NOMINAL ATTENUATION VALUE  
 FOR ATTENUATORS  $< 5\text{dB}$ :  $\pm 0.5\text{ dB}$   
 MEASURED WITH REFERENCE QUALITY LAUNCH LEADS

END FACE GEOMETRY:  
 R.O.C. 5-12mm  
 APEX OFFSET:  $< 50\mu\text{m}$   
 FIBER HEIGHT:  $\pm 100\text{nm}$

NOTE: LOGO, ATTENUATION VALUE, PART NUMBER, AND SERIAL NUMBER ARE PRINTED ON THE LABEL.

0	9-1754722-9
0.5	7-1754722-0
1	1754722-1
2	1754722-2
3	1754722-3
4	1754722-4
5	1754722-5
6	1754722-6
10	1-1754722-0
12	1-1754722-2
15	1-1754722-5
18	1-1754722-8
20	2-1754722-0
25	2-1754722-5
NOM. ATTENUATION VALUE (dB)	PART NUMBER

DIMENSIONS: mm 	TO BE PRINTED ON THE DRAWING FOR THE CUSTOMER'S REFERENCE. DIMENSIONS: mm 0 PLC $\pm 0.1$ 1 PLC $\pm 0.1$ 2 PLC $\pm 0.1$ 3 PLC $\pm 0.1$ 4 PLC $\pm 0.1$ ANGLES $\pm 0.1$ FINISH	DWG: B. BRIGGS 24MAR2008 CDR: D. A. LIRSCH 24MAR2008 APPR: S. BUCHTER 24MAR2008 PRODUCT SPEC: APPLICATION SPEC: WEIGHT: CUSTOMER DRAWING	NAME: ATTENUATOR, OPTICAL, BUILDOUT, 8°, FC/APC, BANDPASS SIZE: A2 CASE CODE: DRAWING NO: 1754722 SCALE: NTS SHEET: 1 OF 1 REV: E1	Tyco Electronics Corporation Shanghai, China	RESTRICTED TO:
-----------------------	---	--	--	---	----------------