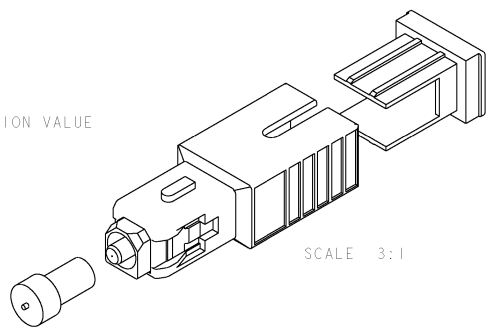


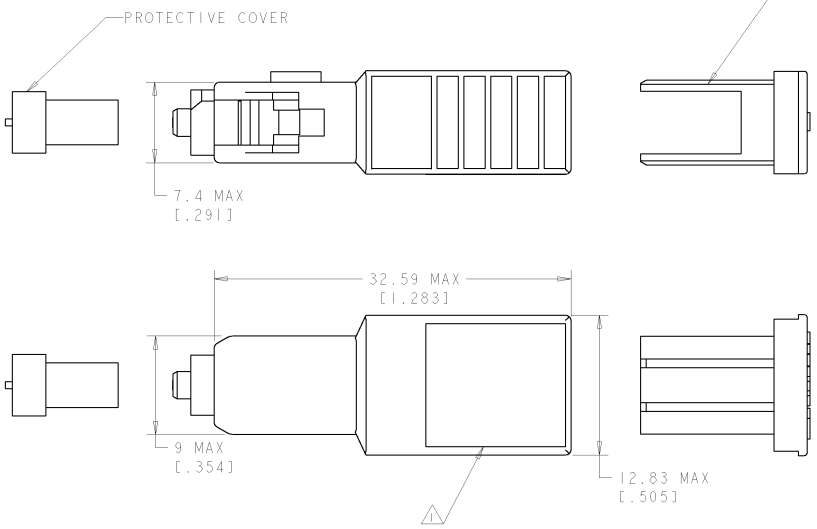
4 3 2 1

PERFORMANCE REQUIREMENTS:
 OPERATING WAVELENGTH : 1310/1550 ±25nm
 REFLECTANCE : ≤ -55dB
 OPERATING TEMPERATURE : -40°C TO +75°C
 ATTENUATION TOLERANCE, AMBIENT :
 FOR 0 dB ATTENUATORS : + 0.50dB MAX
 FOR ATTENUATORS ≤ 5dB : ± 0.50dB
 FOR ATTENUATORS >5dB : ± 10% OF NOMINAL ATTENUATION VALUE
 MEASURED WITH REFERENCE QUALITY LAUNCH LEADS

| REV | DATE | BY | CHKD | APPD |
|-----|---------------|-----------|------|------|
| B | ECR-06-029231 | ZIMARR007 | EJH | SB |



SCALE 3:1



| NOMINAL ATTENUATION VALUE (dB) | PART NUMBER |
|--------------------------------|-------------|
| 0 | 9-5209943-9 |
| 1 | 5209943-1 |
| 2 | 5209943-2 |
| 3 | 5209943-3 |
| 4 | 5209943-4 |
| 5 | 5209943-5 |
| 6 | 5209943-6 |
| 7 | 5209943-7 |
| 8 | 5209943-8 |
| 9 | 5209943-9 |
| 10 | 1-5209943-0 |
| 11 | 1-5209943-1 |
| 12 | 1-5209943-2 |
| 13 | 1-5209943-3 |
| 14 | 1-5209943-4 |
| 15 | 1-5209943-5 |
| 16 | 1-5209943-6 |
| 17 | 1-5209943-7 |
| 18 | 1-5209943-8 |
| 19 | 1-5209943-9 |
| 20 | 2-5209943-0 |
| 25 | 2-5209943-5 |

△ TYCO LOGO, ATTENUATION VALUE, PART NUMBER, AND SERIAL NUMBER ARE PRINTED ON THE LABEL.

| | | | | |
|--|----------------------------|--|--|---|
| DIMENSIONS: mm (INCHES) | DIMENSIONS: mm (INCHES) | DATE: 05DEC2005 BY: HOPKINS CHK: HOPKINS APP: HOPKINS | DATE: 05DEC2005 BY: HOPKINS CHK: HOPKINS APP: HOPKINS | AMP Tyco Electronics Harrisburg, PA 17105-3600 |
| PRODUCT SPEC: - APPLICATION SPEC: - WEIGHT: - FINISH: - | | ATTENUATOR, FOPC BOA SC/UP DW SM SIZE: A2 CASE CODE: 100779 DRAWING NO: 5209943 CUSTOMER DRAWING SCALE: 4:1 SHEET: 1 OF 1 REV: B | | |