

User's Guide

D0116LY-29-1603

VFD- RoHS Compliant

(Vacuum Fluorescent Display Module)

For product support, contact

Newhaven Display International
2511 Technology Drive, #101
Elgin, IL 60124

Tel: (847) 844-8795 Fax: (847) 844-8796

February 26, 2008

Vacuum Fluorescent Display Specification

PART NUMBER: D0116LY-29-1603

FEATURES: 16 Digits, Alphanumeric + Comma + Decimal + Apostrophe

APPLICATION: Character Display (*Alphanumeric*)

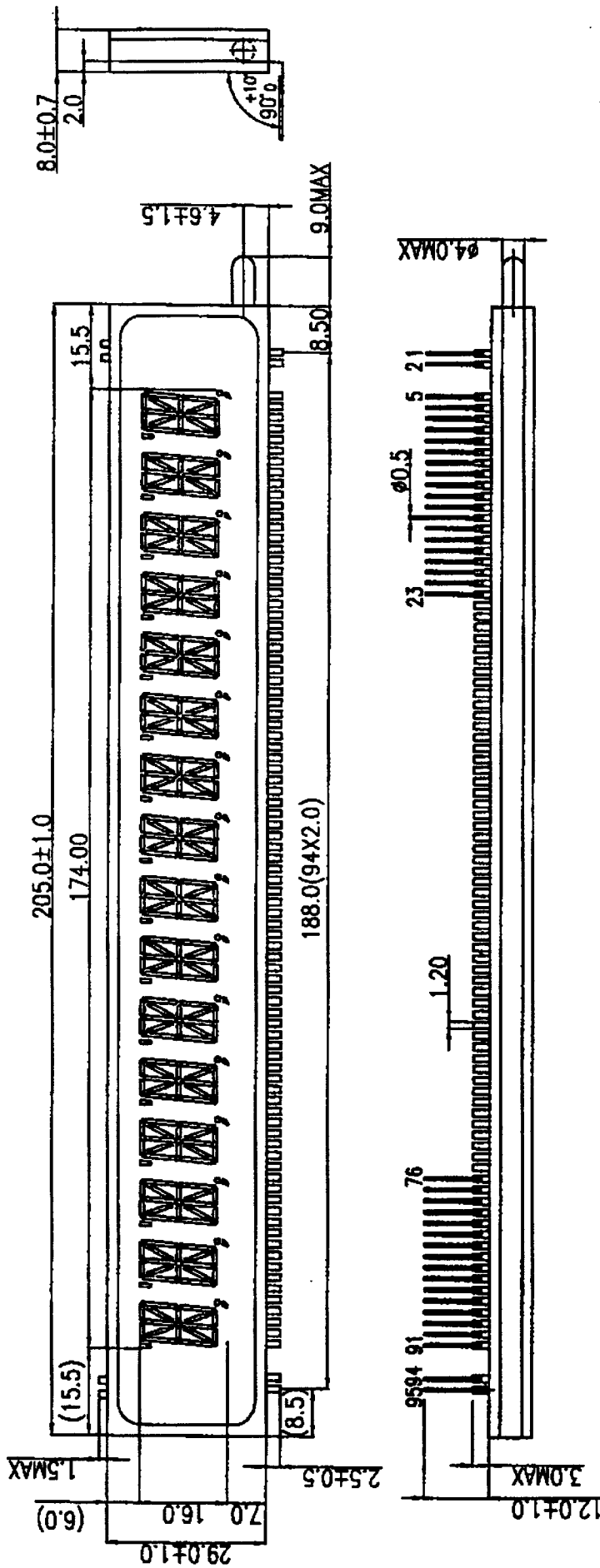
RATINGS: Below

Outer Dimensions	Panel Length	P.L.	205.2	mm	
	Panel Height	P.H.	29.0	mm	
	Panel Thickness	P.T.	8.0	mm	
Leads	Lead Pitch	L.P.	2.54	mm	
	Lead Out	-	SIL		
Character Size	Character Height	C.H.	14.0	mm	
	Character Width	C.W.	7.0	mm	
Item	Symbol	Min.	Recommended	Max.	Unit
Filament Voltage	Ef	7.65	8.5	9.35	Vac
Peak Grid Voltage	ec	-	32.0	38.0	Vp-p
Peak Anode Voltage	eb	-	32.0	38.0	Vp-p
-	-	-	-	-	Vdc
Duty Cycle	Du	-	1/ 17	-	-
Pulse Width	tp	-	100	-	uS
Operating Temperature	Topr	-20	-	+ 70	C
Storage Temperature	Tstg	-55	-	+ 80	C
Color of Illumination	Green				

**Electrical
Characteristics**

Item	Symbol	Test Condition	Min.	Typical	Max.	Unit
Filament Current	If	Ef = 8.5 Vac	144.0	160.0	176.0	MAac
	-	eb = ec = 0	-	-	-	-
Anode Current	ib/1~16G	Ef = 8.5 Vac eb = 32.0 Vp-p ec = 32.0 Vp-p Du = 1/17 tp = 100 uS	-	13.0	26.0	mAp-p
	-		-	-	-	mAp-p
	-		-	-	-	mAp-p
	-		-	-	-	mAp-p
	-		-	-	-	mAp-p
Grid Current	ic/1~16G		-	15.0	30.0	mAp-p
	-		-	-	-	mAp-p
	-		-	-	-	mAp-p
	-		-	-	-	mAp-p
	-		-	-	-	mAp-p
Luminance	L(G)		350	700	-	cd/m ²
	-		(102)	(204)	-	fL
Luminance Ratio	Lmin/Lmax		50	-	-	%
Grid Cut-off Voltage	Ecco	Ef = 8.5 Vac Eb = 32.0 Vdc	-6.0	-	-	Vdc
Anode Cut-off Voltage	Ebco	Ef = 8.5 Vac ec = 32.0 Vp-p Du = 1/17 tp = 100 uS	-6.0	-	-	Vdc

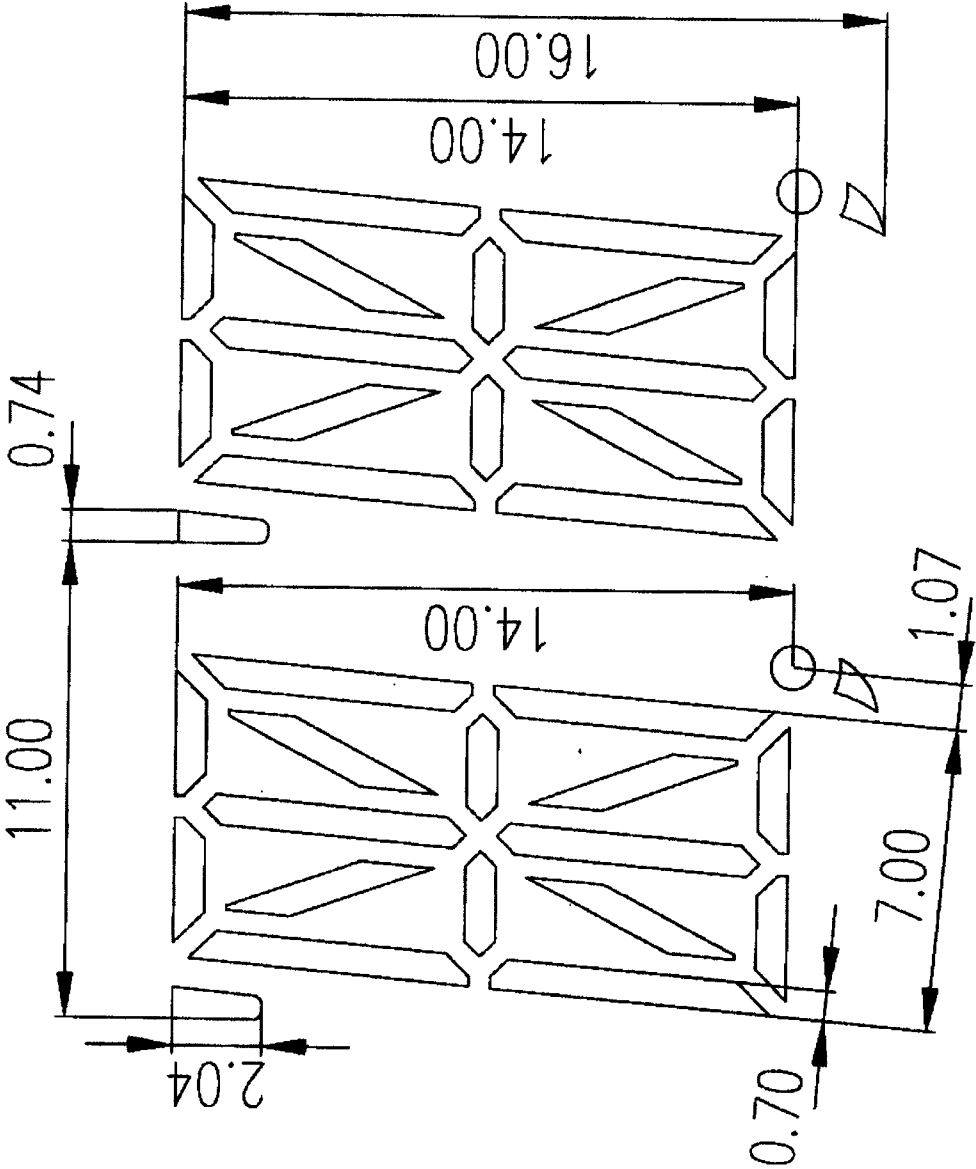
* Drive Mode is Dynamic State



PINOUT CONNECTIONS

Pin No.	1	2	3	4	5	6	7	8	9	10	11	12	13	14	15	16	17	18	19	20	21	22	23
Connect	F1	F1	Np	P1	P2	P3	P4	P5	P6	P7	P8	P9	P10	P11	P12	P13	P14	P15	P16	P17	P18	P19	
Pin No.			24~75	76	77	78	79	80	81	82	83	84	85	86	87	88	89	90	91	92	93	94	95
Connect			Nc	1G	2G	3G	4G	5G	6G	7G	8G	9G	10G	11G	12G	13G	14G	15G	16G	Np	Np	F2	F2

F_i Filament G_i Grid P_i Anode N_p No Pin N_c No Connection



	1G	2G	3G	4G	5G	6G	7G	8G	9G	10G	11G	12G	13G	14G	15G	16G
P1	Dp	Dp	Dp	Dp	Dp	Dp	Dp	Dp	Dp	Dp	Dp	Dp	Dp	Dp	Dp	Dp
P2	Dot	Dot	Dot	Dot	Dot	Dot	Dot	Dot	Dot	Dot	Dot	Dot	Dot	Dot	Dot	Dot
P3	v	v	v	v	v	v	v	v	v	v	v	v	v	v	v	v
P4	d	d	d	d	d	d	d	d	d	d	d	d	d	d	d	d
P5	p	p	p	p	p	p	p	p	p	p	p	p	p	p	p	p
P6	n	n	n	n	n	n	n	n	n	n	n	n	n	n	n	n
P7	r	r	r	r	r	r	r	r	r	r	r	r	r	r	r	r
P8	e	e	e	e	e	e	e	e	e	e	e	e	e	e	e	e
P9	c	c	c	c	c	c	c	c	c	c	c	c	c	c	c	c
P10	m	m	m	m	m	m	m	m	m	m	m	m	m	m	m	m
P11	g	g	g	g	g	g	g	g	g	g	g	g	g	g	g	g
P12	f	f	f	f	f	f	f	f	f	f	f	f	f	f	f	f
P13	b	b	b	b	b	b	b	b	b	b	b	b	b	b	b	b
P14	k	k	k	k	k	k	k	k	k	k	k	k	k	k	k	k
P15	h	h	h	h	h	h	h	h	h	h	h	h	h	h	h	h
P16	j	j	j	j	j	j	j	j	j	j	j	j	j	j	j	j
P17	u	u	u	u	u	u	u	u	u	u	u	u	u	u	u	u
P18	a	a	a	a	a	a	a	a	a	a	a	a	a	a	a	a
P19	Com	Com	Com	Com	Com	Com	Com	Com	Com	Com	Com	Com	Com	Com	Com	Com