

## User's Guide

# D0106LT-43-0601

# VFD- **RoHS Compliant**

(Vacuum Fluorescent Display)

---

For product support, contact

**Newhaven Display International**  
**2511 Technology Drive, #101**  
**Elgin, IL 60124**

Tel: (847) 844-8795 Fax: (847) 844-8796

*February 21, 2008*

# Vacuum Fluorescent Display Specification

**PART NUMBER:** **D0106LT-43-0601**

**FEATURES:** 6 Digits – Seven Segmented, with Decimal points, commas, underscores

**APPLICATION:** Character Display- (7-Seg)

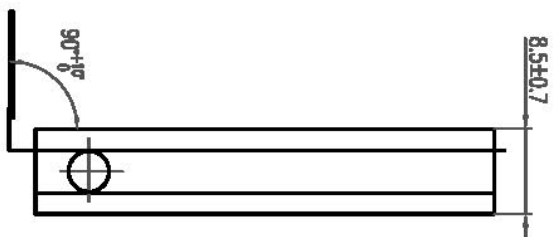
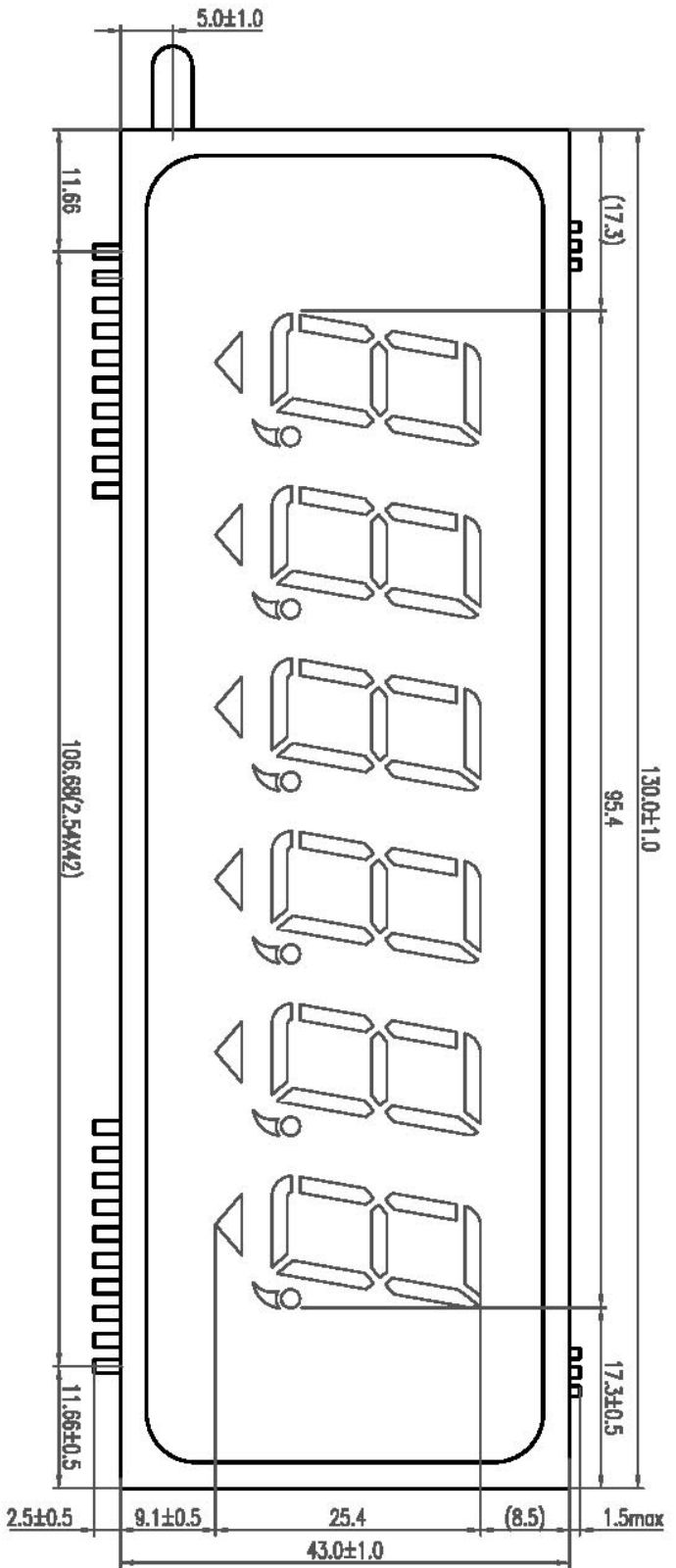
**RATINGS:** Below

<b>Outer Dimensions</b>	Panel Length	P.L.	130.0	mm	
	Panel Height	P.H.	43.0	mm	
	Panel Thickness	P.T.	8.5	mm	
<b>Leads</b>	Lead Pitch	L.P.	2.54	mm	
	Lead Out	-	SIL		
<b>Character Size</b>	Character Height	C.H.	20.0	mm	
	Character Width	C.W.	9.5	mm	
<b>Item</b>	<b>Symbol</b>	<b>Min.</b>	<b>Recommended</b>	<b>Max.</b>	<b>Unit</b>
<b>Filament Voltage</b>	Ef	4.0	4.4	4.8	Vac
<b>Peak Grid Voltage</b>	ec	-	34.0	40.0	Vp-p
<b>Peak Anode Voltage</b>	eb	-	34.0	40.0	Vp-p
<b>Cut-off Bias</b>	Ek	-	0	-	Vdc
<b>Duty Cycle</b>	Du	-	1/8	-	-
<b>Pulse Width</b>	tp	-	100	-	uS
<b>Operating Temperature</b>	Topr	-20	-	+ 70	C
<b>Storage Temperature</b>	Tstg	-55	-	+ 80	C
<b>Color of Illumination</b>	Green				

**Electrical  
Characteristics**

Item	Symbol	Test Condition	Min.	Typical	Max.	Unit
<b>Filament Current</b>	if	Ef = 4.4 Vac	180.0	200.0	220.0	mAac
	-	eb = ec = 0	-	-	-	-
<b>Anode Current</b>	ib / 1~6G	Ef = 4.4 Vac	-	15.0	30.0	mAp-p
	-	eb = 34.0 Vp-p	-	-	-	-
	-	ec = 34.0 Vp-p	-	-	-	-
	-	Du = 1/8	-	-	-	-
	-	tp = 100uS	-	-	-	-
<b>Grid Current</b>	ic / 1~6G	( All segs are ON )	-	18.0	36.0	mAp-p
	-		-	-	-	-
	-		-	-	-	-
	-		-	-	-	-
	-		-	-	-	-
<b>Luminance</b>	L(G)		686	1372	-	cd/m <sup>2</sup>
			(200)	(400)		fL
<b>Luminance Ratio</b>	Lmin/Lmax		50	-	-	%
<b>Grid Cut-off Voltage</b>	Ecco	Ef = 4.4 Vac Eb = 34.0 Vdc	-6.0	-	-	Vdc
<b>Anode Cut-off Voltage</b>	Ebco	Ef = 4.4 Vdc ec = 34.0 Vp-p Du = 1/8 Tp = 100uS	-4.0	-	-	Vdc

**DRIVE MODE: Dynamic State**

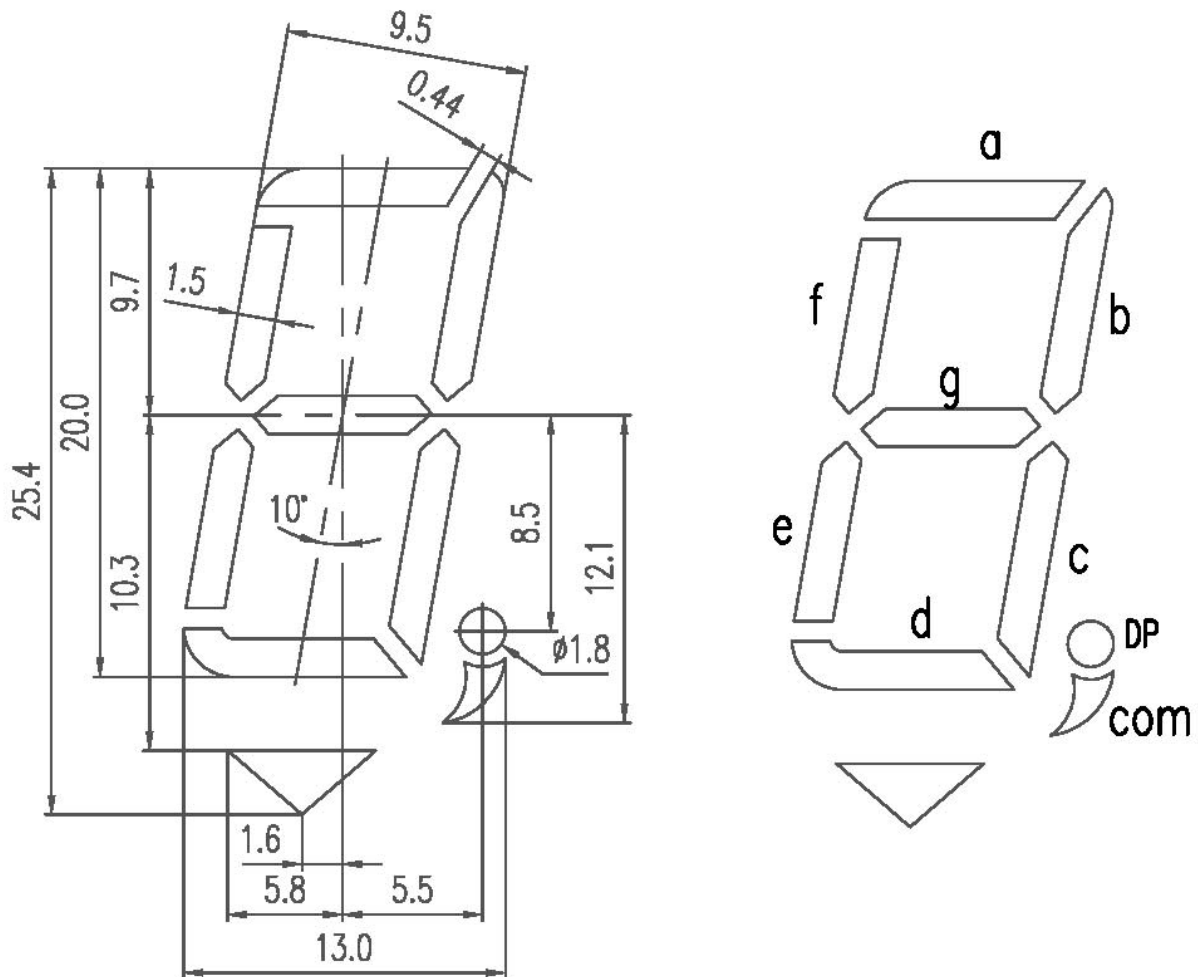
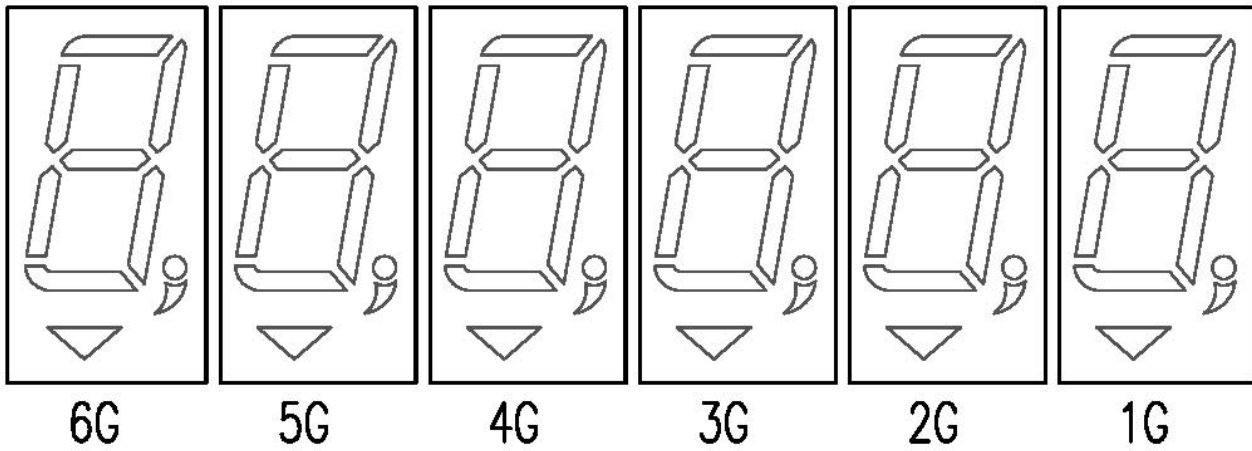


Pin Connections:

Pin Number	1	2	3	4	5	6	7	8	9	10	11	12	13	14	15	16	17	18	19	20	21	22	
Connection	F	F	P6	P7	P5	P4	P10	G6	G5	G4	NP	NP	NP	NP	NP	NP	NP	NP	NP	NP	NP	NP	NP
Pin Number	23	24	25	26	27	28	29	30	31	32	33	34	35	36	37	38	39	40	41	42	43	44	
Connection	NP	NP	NP	NP	NP	NP	NP	NP	NP	NP	NP	G3	G2	G1	P9	P8	P3	P2	P1	F	F		

NOTE: F: Filament G: Grid P: Anode NP: No Pin

2: Grid Assignment:



## 3: Pin Assignment:

	6G	5G	4G	3G	2G	1G
P1	a	a	a	a	a	a
P2	b	b	b	b	b	b
P3	c	c	c	c	c	c
P4	d	d	d	d	d	d
P5	e	e	e	e	e	e
P6	f	f	f	f	f	f
P7	g	g	g	g	g	g
P8	DP	DP	DP	DP	DP	DP
P9	com	com	com	com	com	com
P10	▽	▽	▽	▽	▽	▽