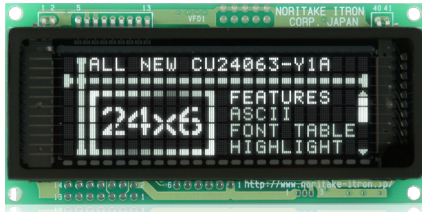


# Y SERIES



E-M1-0001-05

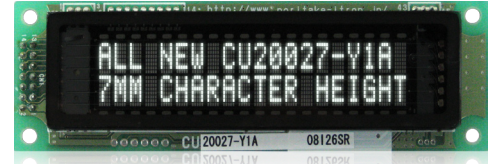
ISO 9001 and ISO 14000 Certified



**CU24063-Y1A / Y100**



**CU24043-Y1A / Y100**



**CU20027-Y1A / Y100**

## Features

- Easy command set
- 2x the brightness with the brightness boost
- Highlight character
- 16 UDF and 1 custom font table
- 14 International font tables and 10 extended ASCII
- Select from 1x1, 1x2, and 2x2 character sizes
- More characters in compact display size
- 1U rack height models available
- Available in i80 8-bit parallel, asynchronous serial, synchronous serial, and async RS232 interfaces
- Reliability in all environmental conditions
- Wide temperature range of -40°C up to +85°C

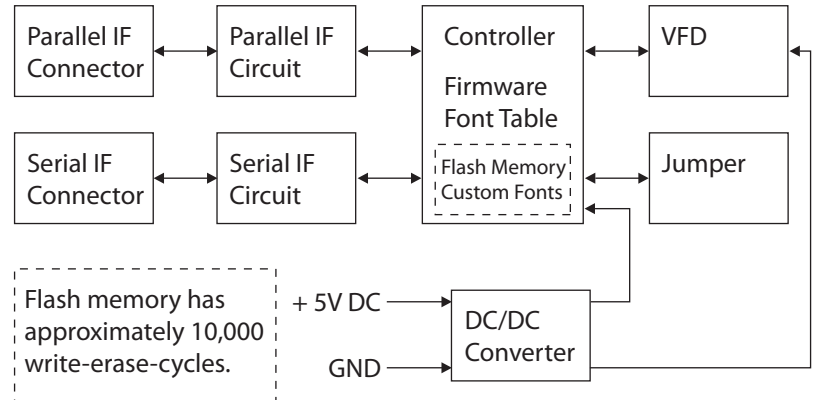
## Coming Soon

20x2, 4000 cd/m<sup>2</sup> sunlight readable VFD



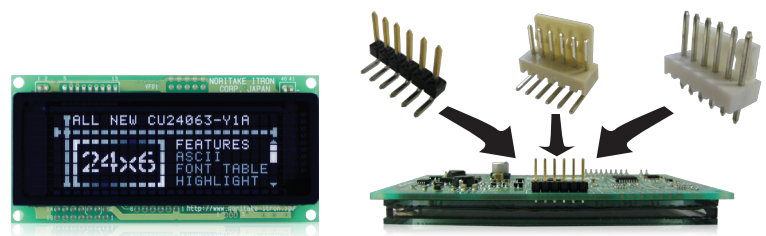
**CU20027-YX1A**

## Block Diagram



## Value Added Services

Need connectors, cables, color filter, and/or conformal coating with your VFD? Let us pre-assemble and inspect the quality for you. We follow the IPC standards and nothing leaves the door unless the quality meets class 2 or higher. Not only can you cut down on the extra cost associated with subcontracting the secondary operation, it's one less thing you have to worry about.



Comparison Chart	Y Series	U Version
Display Type	Character	Character
Brightness Boost	YES	Available
Highlight	YES	NO
ASCII	YES	YES
International Font Table	YES	NO
Extended ASCII	YES	NO
RS232	Available	NO
4-bit Parallel	NO	YES
Selectable Character Size	YES	NO
Power Supply	5V	3.3V and 5V

Model	Number of Character	Character Size (mm)	Display Area (mm)	PCB Size (mm)	Interface	Power (V / mA)
CU24043-Y1A	24 x 4	2.1 x 3.3	73.4 x 15.0	116 x 37	i80 8-bit Parallel (5V CMOS) Async Serial (5V CMOS) Sync Serial (5V CMOS)	5V / 350
CU24063-Y1A	24 x 6	2.1 x 3.3	70.4 x 22.7	98 x 47		5V / 530
CU20027-Y1A	20 x 2	2.7 x 7.2	73.4 x 15.0	116 x 37		5V / 400
CU24043-Y100	24 x 4	2.1 x 3.3	73.4 x 15.0	116 x 37	i80 8-bit Parallel (5V CMOS) Async Serial (RS232)	5V / 350
CU24063-Y100	24 x 6	2.1 x 3.3	70.4 x 22.7	98 x 47		5V / 530
CU20027-Y100	20 x 2	2.7 x 7.2	73.4 x 15.0	116 x 37		5V / 400

For technical support or any questions regarding Noritake Itron VFD please contact:

<b>Noritake Co., Inc.</b> 2635 Clearbrook Drive Arlington Heights, IL 60005 (800) 779-5846 support.ele@noritake.com	<b>East Coast</b> <b>Atlanta</b> (888) 326-3423 <b>New Jersey</b> (888) 296-3423	<b>Midwest</b> <b>Chicago</b> (800) 779-5846	<b>West Coast</b> <b>LA</b> (888) 795-3423
---	--	--	--

**Noritake itron**  
The brighter side of electronics  
noritake-elec.com  
FORM# E2-5010-00