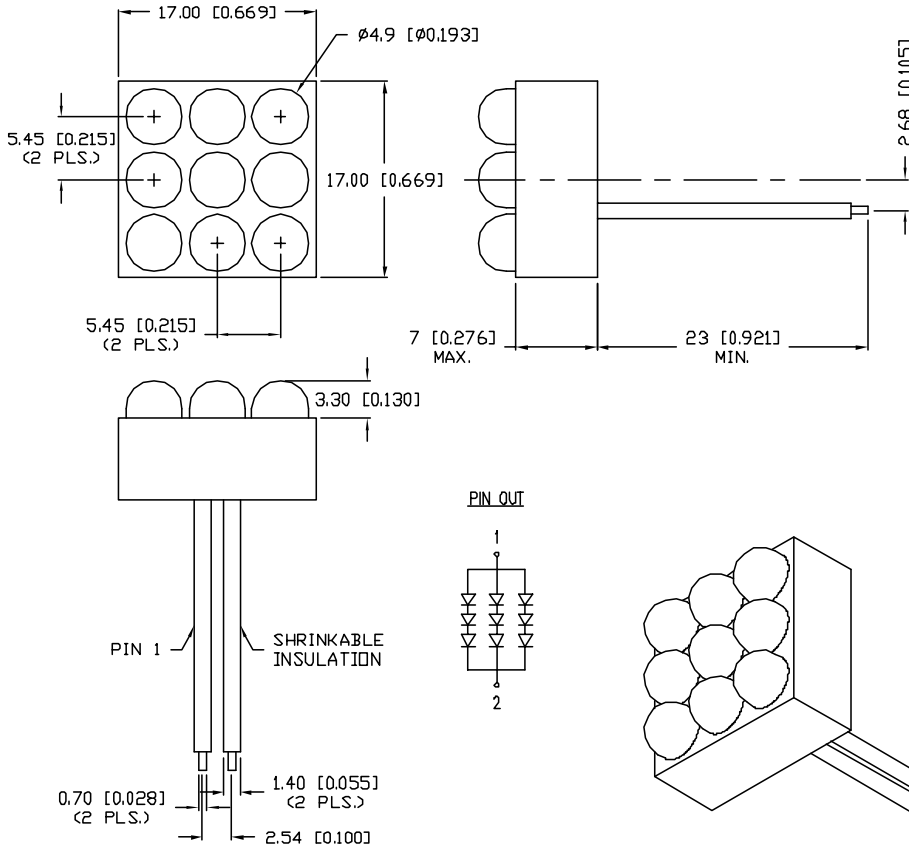


UNCONTROLLED DOCUMENT

PART NUMBER  
SSP-LXS06799

REV.



ELECTRO-OPTICAL CHARACTERISTICS  $T_A=25^\circ\text{C}$

PARAMETER	SYMBOL	MIN	TYP	MAX	UNITS	TEST COND
PEAK WAVELENGTH			550		nm	
FORWARD VOLTAGE	$V_f$		10.5	12.0	V	$I_f=80\text{mA}$
REVERSE VOLTAGE	$V_r$	5.0			V	$I_f=10\mu\text{A}$
AXIAL INTENSITY**	$I_v$		2000		mcd	$I_f=80\text{mA}$
CHROMATICITY COORDINATES***	X	0.28	0.31	0.34		$I_f=60\text{mA}$
	Y	0.29	0.32	0.35		
VIEWING ANGLE			30		2x theta	
EMITTED COLOR:			WHITE			
EPOXY LENS FINISH:			WATER CLEAR			

\*\* INTENSITY PER DIE.

AXIAL INTENSITY TESTING CONDITION: 550nm WAVELENGTH.

\*\*\* CHROMATICITY COORDINATES PER THE ICI STANDARD COLORIMETRIC SYSTEM.

LIMITS OF SAFE OPERATION AT  $25^\circ\text{C}$  PER DIE

PARAMETER	MAX	UNITS
PEAK FORWARD CURRENT*	100	mA
STEADY CURRENT	98	mA
POWER DISSIPATION	30	mW
DERATE FROM $25^\circ\text{C}$	-1.0	mW/ $^\circ\text{C}$
OPERATING, STORAGE TEMP.	-30 TO +70	$^\circ\text{C}$
SOLDERING TEMP.	+260	$^\circ\text{C}$
2.0mm FROM BODY		3 SEC. MAX

\*  $t < 10\mu\text{s}$

CAUTION: STATIC SENSITIVE DEVICE  
FOLLOW PROPER E.S.D. HANDLING PROCEDURES  
WHEN WORKING WITH THIS PART.  
ESD CLASSIFICATION: CLASS II BASED ON MIL-STD 883E.

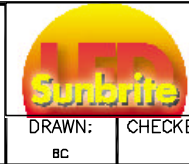
UNCONTROLLED DOCUMENT

\*UNLESS OTHERWISE SPECIFIED TOLERANCES PER DECIMAL PRECISION ARE: X=±1 (±0.039), XX=±0.5 (±0.020), XXX=±0.25 (±0.010), XXXX=±0.127 (±0.005). LEAD SIZE=±0.05 (±0.002), LEAD LENGTH=±0.75 (±0.030). MIN= +DECIMAL PRECISION -0.00 MAX= +0.00 -DECIMAL PRECISION

REV.	PART NUMBER SSP-LXS06799
0.67" SQUARE, 9 LAMP POLYLED, COMMON ANODE, 550nm InGaN/SiC WHITE LEDs, WATER CLEAR LENS.	

**CONFIDENTIAL INFORMATION**  
THE INFORMATION CONTAINED IN THIS DOCUMENT IS THE PROPERTY OF SUNBRITE LEDs. EXCEPT AS SPECIFICALLY AUTHORIZED IN WRITING BY SUNBRITE LEDs, THE HOLDER OF THIS DOCUMENT SHALL KEEP ALL INFORMATION CONTAINED HEREIN CONFIDENTIAL AND SHALL PROTECT SAME IN WHOLE OR IN PART FROM DISCLOSURE AND DISSEMINATION TO ALL THIRD PARTIES.

**RELIABILITY NOTE**  
OUR MANY YEARS OF EXPERIENCE DATA ACCUMULATION INDICATE THAT SOLDER HEAT IS A MAJOR CAUSE OF EARLY AND FUTURE FAILURE. PLEASE PAY ATTENTION TO YOUR SOLDERING PROCESS.



286 E. HELEN ROAD PALATINE, IL 60067-6976 PHONE: +1.847.359.2790 FAX: +1.847.359.2867 WEB: www.sunbriteleds.com	DRAWN: BC	CHECKED:	APPROVED:	DATE: 4.28.00 PAGE: 1 OF 1
-----------------------------------------------------------------------------------------------------------------------------	--------------	----------	-----------	-------------------------------