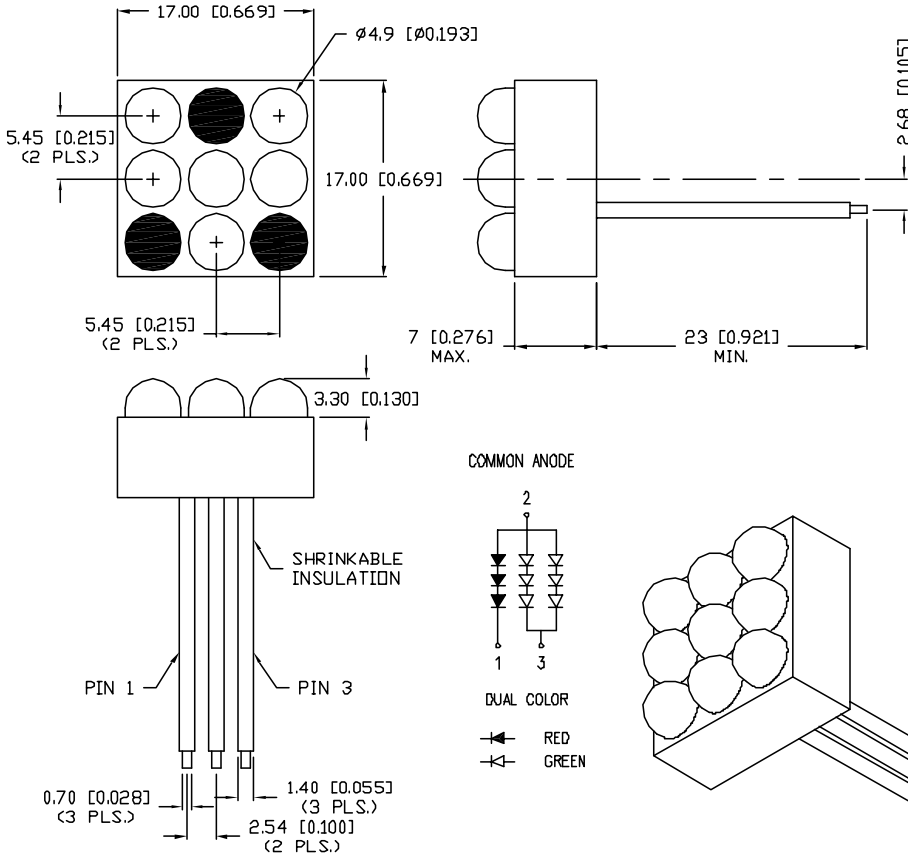


UNCONTROLLED DOCUMENT

PART NUMBER
SSP-LXS06762S9A

REV.
A

REV.	E.C.N. NUMBER AND REVISION COMMENTS	DATE
A	E.C.N. #10582.	1-13-00



ELECTRO-OPTICAL CHARACTERISTICS $T_A=25^{\circ}\text{C}$ $I_f=20/40\text{mA}$

PARAMETER	MIN	TYP	MAX	UNITS	TEST COND
PEAK WAVELENGTH		660 (R)		nm	
		565 (G)		nm	
FORWARD VOLTAGE* (R/G)		5.4/6.6	6.9/7.8	V _f	$I_f=100\mu\text{A}$
REVERSE VOLTAGE (R/G)	4.0/5.0			V _r	$I_f=20/40\text{mA}$
AXIAL INTENSITY** (R/G)		2000/300		mcd	
VIEWING ANGLE		30		2x theta	
EMITTED COLOR:	SUPER RED/SUPER GREEN				
EPOXY LENS FINISH:	WATER CLEAR				

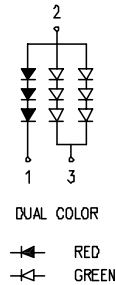
* VOLTAGE FOR: PIN 1/PIN 3
** INTENSITY PER DIE. TEST CONDITION: CURRENT FOR PIN 1/PIN 3

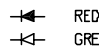
LIMITS OF SAFE OPERATION AT 25°C PER DIE

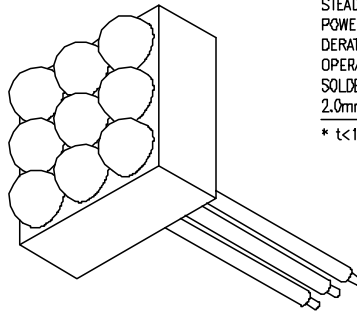
PARAMETER	COLORS	MAX	UNITS
PEAK FORWARD CURRENT*		150	mA
STEADY CURRENT	(R/G)	30/25	mA
POWER DISSIPATION		105	mW
DERATE FROM 25°C		-1.6	mW/°C
OPERATING, STORAGE TEMP.		-30 TO +70	°C
SOLDERING TEMP.		+260	°C
2.0mm FROM BODY			3 SEC. MAX

* $t < 10\mu\text{s}$

COMMON ANODE



DUAL COLOR

 RED
 GREEN



UNCONTROLLED DOCUMENT

*UNLESS OTHERWISE SPECIFIED TOLERANCES PER DECIMAL PRECISION ARE: X-±1 (±0.039), XX-±0.5 (±0.020), XXX-±0.25 (±0.010), XXXX-±0.127 (±0.005). LEAD SIZE-±0.05 (±0.002), LEAD LENGTH-±0.75 (±0.030), MIN-^{+0.00}DECIMAL PRECISION MAX.-^{-0.00}DECIMAL PRECISION

REV. A	PART NUMBER SSP-LXS06762S9A
-----------	--------------------------------

0.67" SQUARE, 9 LAMP POLYLED, COMMON ANODE,
RED/GREEN LEDS, WATER CLEAR LENS.

CONFIDENTIAL INFORMATION
 THE INFORMATION CONTAINED IN THIS DOCUMENT IS THE PROPERTY OF SUNBRITE LEDS. EXCEPT AS SPECIFICALLY AUTHORIZED IN WRITING BY SUNBRITE LEDS, THE HOLDER OF THIS DOCUMENT SHALL KEEP ALL INFORMATION CONTAINED HEREIN CONFIDENTIAL AND SHALL PROTECT SAME IN WHOLE OR IN PART FROM DISCLOSURE AND DISSEMINATION TO ALL THIRD PARTIES.

RELIABILITY NOTE
 OUR MANY YEARS OF EXPERIENCE DATA ACCUMULATION INDICATE THAT SOLDER HEAT IS A MAJOR CAUSE OF EARLY AND FUTURE FAILURE. PLEASE PAY ATTENTION TO YOUR SOLDERING PROCESS.



286 E. HELEN ROAD
 PALATINE, IL 60067-6976
 PHONE: +1.847.359.2790
 FAX: +1.847.359.2867
 WEB: www.sunbriteleds.com

DRAWN: BC	CHECKED:	APPROVED:	DATE: 12.13.99 PAGE: 1 OF 1
--------------	----------	-----------	--------------------------------