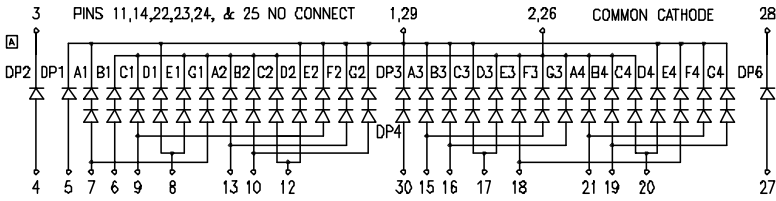
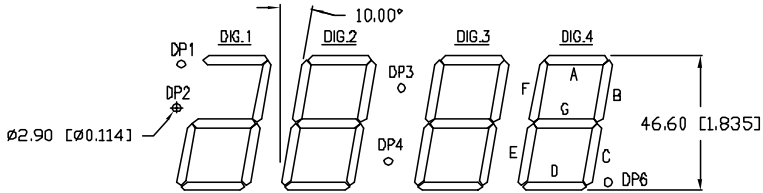
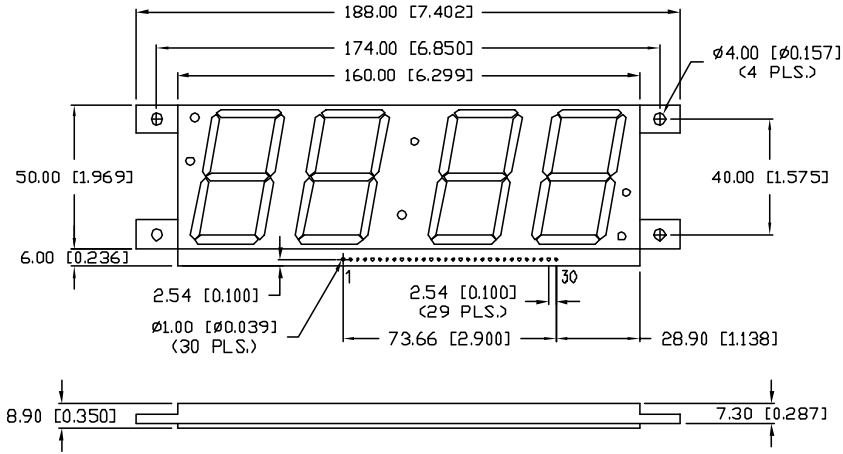


UNCONTROLLED DOCUMENT



*UNLESS OTHERWISE SPECIFIED TOLERANCES PER DECIMAL PRECISION ARE: X=±1 (±0.030), XX=±0.5 (±0.020), XXX=±0.25 (±0.010), XXXX=±0.127 (±0.005). LEAD SIZE=±0.05 (±0.002), LEAD LENGTH=±0.75 (±0.030). MIN= +DECIMAL PRECISION MAX= +0.00 -DECIMAL PRECISION

| | | |
|-------------|-------------------------------------|---------|
| PART NUMBER | | REV. |
| LDC-NA182G | | B |
| REV. | E.C.N. NUMBER AND REVISION COMMENTS | DATE |
| A | E.C.N. #10583. | 1-10-00 |
| B | E.C.N. #11148. | 5.14.07 |

ELECTRO-OPTICAL CHARACTERISTICS $T_A=25^{\circ}\text{C}$ $I_f=10\text{mA}$

| PARAMETER | MIN | TYP | MAX | UNITS | TEST COND |
|-------------------|----------------|-------------|---------|----------------|-----------------------|
| PEAK WAVELENGTH | | 565 (GREEN) | | nm | |
| FORWARD VOLTAGE * | | 4.4/2.2 | 5.2/2.6 | V _f | |
| REVERSE VOLTAGE | 5.0 | | | V _r | I _f =100μA |
| AXIAL INTENSITY | | 4400 | | μcd | I _f =10mA |
| EMITTED COLOR: | GREEN | | | | |
| FACE COLOR: | GREEN | | | | |
| SEGMENT COLOR: | GREEN DIFFUSED | | | | |

* SECOND VALUE FOR SINGLE CHIP IN DECIMAL POINT. (DP1,DP2,DP6)

LIMITS OF SAFE OPERATION AT 25°C PER DIE

| PARAMETER | MAX | UNITS |
|--------------------------|------------|------------|
| PEAK FORWARD CURRENT* | 80 | mA |
| STEADY CURRENT | 18 | mA |
| POWER DISSIPATION | 105 | mW |
| DERATE FROM 25°C | -1.2 | mW/°C |
| OPERATING, STORAGE TEMP. | -20 TO +80 | °C |
| SOLDERING TEMP. | +260 | °C |
| 2.0mm FROM BODY | | 3 SEC. MAX |

* t<10μS

UNCONTROLLED DOCUMENT

| | |
|---|-------------|
| REV. | PART NUMBER |
| B | LDC-NA182G |
| 1.8" QUAD DIGIT, SEVEN SEGMENT, CLOCK DISPLAY, 565 nm GREEN CHIPS, GREEN FACE, AIR GAP, GREEN DIFFUSED SEGMENTS, MULTIPLEXED, COMMON CATHODE. | |

CONFIDENTIAL INFORMATION
THE INFORMATION CONTAINED IN THIS DOCUMENT IS THE PROPERTY OF LUMEX INC. EXCEPT AS SPECIFICALLY AUTHORIZED IN WRITING BY LUMEX INC., THE HOLDER OF THIS DOCUMENT SHALL KEEP ALL INFORMATION CONTAINED HEREIN CONFIDENTIAL AND SHALL PROTECT SAME IN WHOLE OR IN PART FROM DISCLOSURE AND DISSEMINATION TO ALL THIRD PARTIES.

RELIABILITY NOTE
OUR MANY YEARS OF EXPERIENCE DATA ACCUMULATION INDICATE THAT SOLDER HEAT IS A MAJOR CAUSE OF EARLY AND FUTURE FAILURE. PLEASE PAY ATTENTION TO YOUR SOLDERING PROCESS.

LUMEX
290 E. HELEN ROAD
PALATINE, IL 60067-6976
PHONE: +1.847.359.2790
US WEB: www.lumex.com
TW WEB: www.lumex.com.tw

| | | | |
|-----------|-------------|--------------|--------------|
| DRAWN BY: | CHECKED BY: | APPROVED BY: | DATE: |
| JC | | | 8.2.99 |
| | | | PAGE: 1 OF 1 |
| | | | SCALE: N/A |