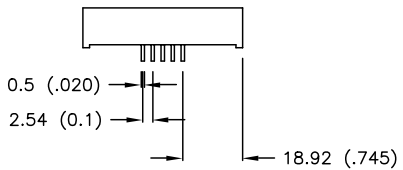
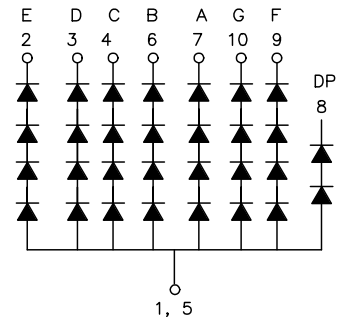
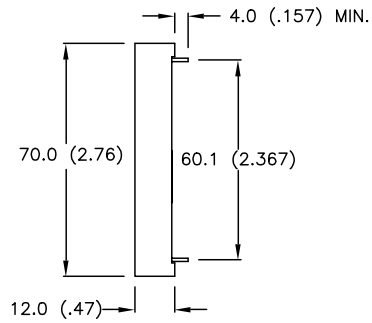
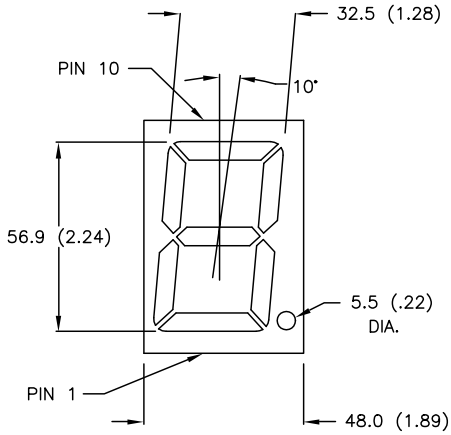


DATE	REVISIONS	REV	DRAWING NUMBER LDS-AD14RI	REV
------	-----------	-----	------------------------------	-----



COLORS	$T_A=25^\circ\text{C}$ ABSOLUTE MAXIMUM RATINGS PER LED CHIP					$T_A=25^\circ\text{C}$ ELECTRO-OPTICAL CHARACTERISTICS						
	VR	IF	IFP	PD	TOPR	IF	VF TYP	VF MAX	IV TYP	IR MAX	IP	
FONT	SEGMENT	V	mA	mA	mw	$^\circ\text{C}$	mA	V	V	ucd	uA	nm
RED		5	30	150	105	-40~+85 $^\circ\text{C}$	10	8.0	10	9000	100	635
GRAY	WHITE											

NOTES:

- ALL DIMENSIONS ARE IN MILLIMETERS (INCHES). TOLERANCE IS 0.25 (0.01") UNLESS OTHERWISE SPECIFIED.
- IV TESTED CONDITION IF=10mA AND THE LISTED IV IS THE AVERAGE INTENSITY FOR EVERY SEGMENT LISTED.

**LUMEX**  
OPTO COMPONENTS INC.

290 E. HELLEN ROAD  
PALATINE, ILLINOIS 60067  
(847) 359-2790

CONFIDENTIAL INFORMATION  
THE INFORMATION CONTAINED IN THIS DOCUMENT IS THE PROPERTY OF LUMEX OPTO/COMPONENTS, INC. EXCEPT AS SPECIFICALLY AUTHORIZED IN WRITING BY LUMEX OPTO/COMPONENTS, INC., THE HOLDER OF THIS DOCUMENT SHALL KEEP ALL INFORMATION CONTAINED HEREIN CONFIDENTIAL AND SHALL PROTECT SAME IN WHOLE OR IN PART FROM DISCLOSURE AND DISSEMINATION TO ALL THIRD PARTIES.

DATE: 10-30-96	DWN:	CHK'D:	APPD:
SCALE: N/A			
2.3" RED SEVEN SEGMENT DISPLAY			
PAGE 1 OF 1	DRAWING NUMBER LDS-AD14RI		REV