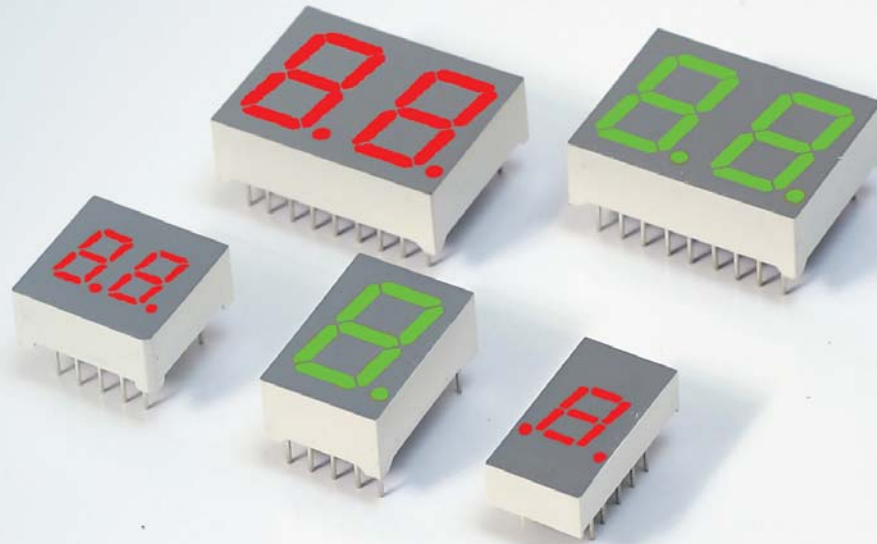


QuasarBrite™ High Temp LED Displays



High Temp LED Displays Provide Market-Leading Temperature Range and Cost Savings

Lumex's new High Temp LED 7-Segment Displays provide outstanding color and brightness performance at up to 105°C, which is unique in today's marketplace. Standard size 1 and 2 digit QuasarBrite High Temp 7-Segment LED Displays are available in stock from Lumex's strategic distribution partners immediately (includes .30" and .56", red and green displays).

Features:

- Bright, crisp display performance in market-leading temp ranges up to 105°C
- Available in sizes from 0.28 to 4 inch character height
- Compatible with standard drivers
- Available in any standard color

Applications:

- Aircraft, ground vehicles and GPS
- Heavy motor control technologies
- Oil field and gas flow metering
- Displays on ovens, microwaves, etc.

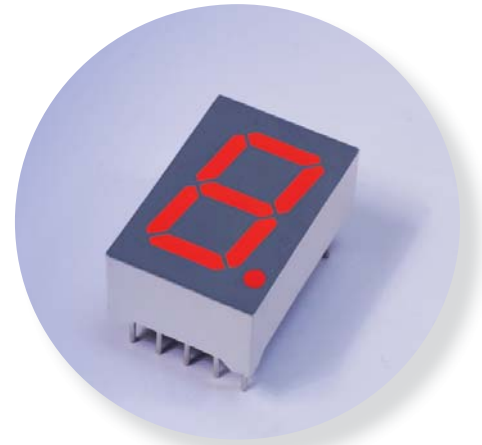
Markets:

- Industrial Controls
- Military
- Appliances

LUMEX®
Creating LED and LCD Solutions Together™

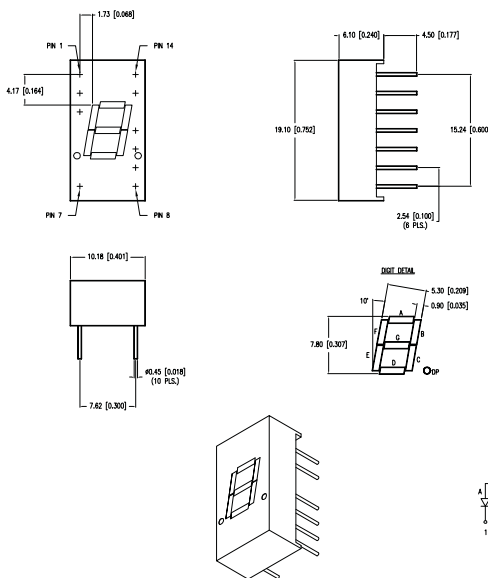
QuasarBrite™

High Temp LED Displays - Single Digit

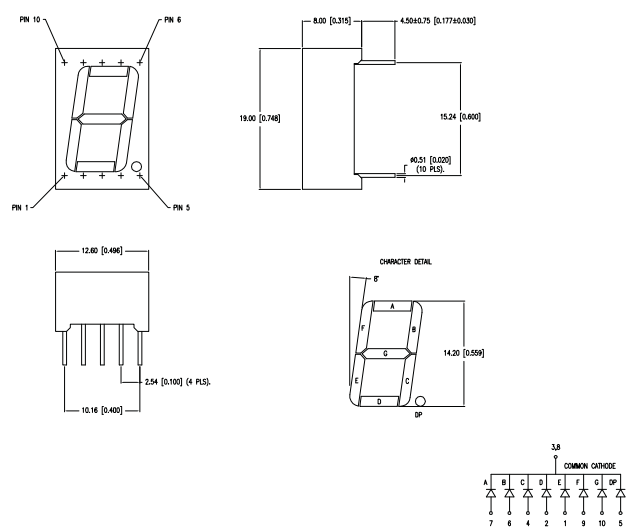


| Single Digit - High Temp LED Displays | PN | Wavelength | Intensity mcd @ 10mA | Character Height | Color | Common Column Pin | Face | Segment |
|---------------------------------------|--------------|------------|----------------------|------------------|-------|-------------------|------|-------------|
| | LDS-HTA302RI | 565 | 2500 | .30" | Green | Anode | Gray | Milky White |
| | LDS-HTA304RI | 635 | 2000 | .30" | Red | Anode | Gray | Milky White |
| | LDS-HTA512RI | 565 | 3900 | .56" | Green | Anode | Gray | Milky White |
| | LDS-HTA514RI | 635 | 3900 | .56" | Red | Anode | Gray | Milky White |
| | LDS-HTC302RI | 565 | 3500 | .30" | Green | Cathode | Gray | Milky White |
| | LDS-HTC304RI | 635 | 3500 | .30" | Red | Cathode | Gray | Milky White |
| | LDS-HTC512RI | 565 | 3500 | .56" | Green | Cathode | Gray | Milky White |
| | LDS-HTC514RI | 625 | 3900 | .56" | Red | Cathode | Gray | Milky White |

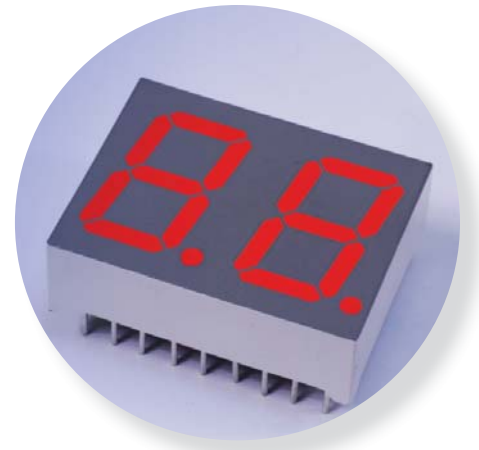
Single Digit: .30" Character Height



Single Digit: .56" Character Height



QuasarBrite™ High Temp LED Displays - Dual Digit



| Dual Digit - High Temp LED Displays | PN | Wavelength | Intensity mcd @ 10mA | Character Height | Color | Common Column Pin | Face | Segment |
|-------------------------------------|--------------|------------|----------------------|------------------|-------|-------------------|------|-------------|
| | LDD-HTE302NI | 565 | 2500 | .30" | Green | Anode | Gray | Milky White |
| | LDD-HTE304NI | 635 | 2000 | .30" | Red | Anode | Gray | Milky White |
| | LDD-HTF302NI | 565 | 3900 | .30" | Green | Anode | Gray | Milky White |
| | LDD-HTF304NI | 635 | 3900 | .30" | Red | Anode | Gray | Milky White |
| | LDD-HTA512RI | 565 | 3500 | .56" | Green | Cathode | Gray | Milky White |
| | LDD-HTA514RI | 635 | 3500 | .56" | Red | Cathode | Gray | Milky White |
| | LDD-HTC512RI | 565 | 3500 | .56" | Green | Cathode | Gray | Milky White |
| | LDD-HTC514RI | 625 | 3900 | .56" | Red | Cathode | Gray | Milky White |

Dual Digit: .30" Character Height

Dual Digit: .56" Character Height

