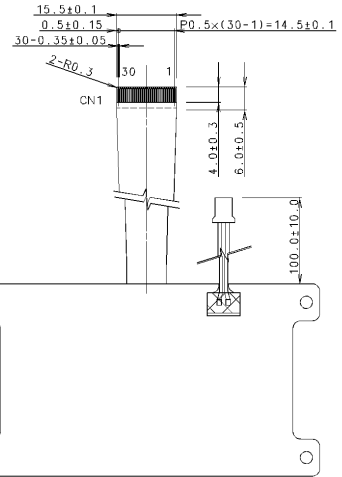
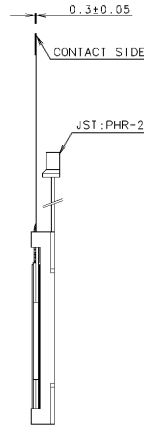
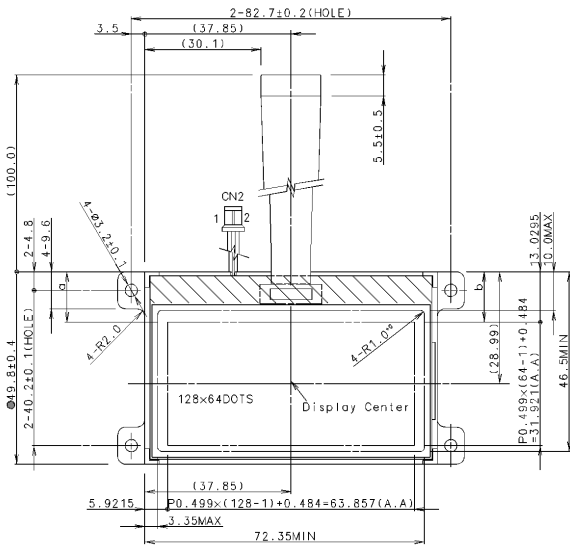
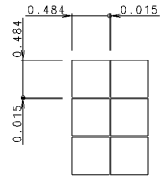
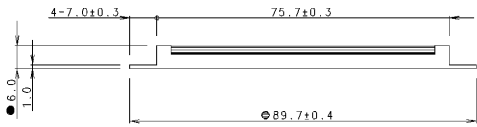


ISSUE	REVISIONS	DRAWN	DATE
△			

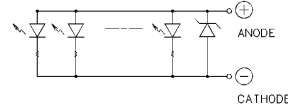


VIEWING DIRECTION



DOT DETAIL (S=20:1)

4 CHIPS (1X4)



CN1 PIN ASSIGNMENT

No.	SYMBOL	No.	SYMBOL	No.	SYMBOL
1	CS1	11	D5	21	C2+
2	RES	12	D6	22	V1
3	A0	13	D7	23	V2
4	WR	14	VDD	24	V3
5	RD	15	VSS	25	V4
6	D0	16	VOUT	26	V5
7	D1	17	C3-	27	VR
8	D2	18	C1+	28	C86
9	D3	19	C1-	29	P/S
10	D4	20	C2-	30	NC

PIN ASSIGNMENT CN2	
PIN No.	SYMBOL
1	LED A
2	LED K

MEASURE	TOLERANCE		
	A	B	C
L≤16	±0.1	±0.3	±1
16<L≤63	±0.2	±0.5	±1.5
63<L≤250	±0.3	±0.8	±2
250<L≤500	±0.5	±1.2	±3
500<L	±0.8	±2	±4
ANGLE	±1°	±5°	±10°

NOTE

1. Display Skew |a-b| ≤ 0.5
2. Do not use materials which are prohibited by RoHS.
3. The dimensions with the mark (●) are controlled as a particular characteristic.

MATERIAL:	THIRD ANGLE PROJECTION	FINISH:
DATE	SCALE 1:1	TITLE
APPROVED	UNIT mm	F-51852CNBJ-LW-AKN
CHECKED	DATE Nov. 23'05	DWG NO.(CODE)
DRAWN	DSGN H.Border	DWG SIZE
		DWG REV