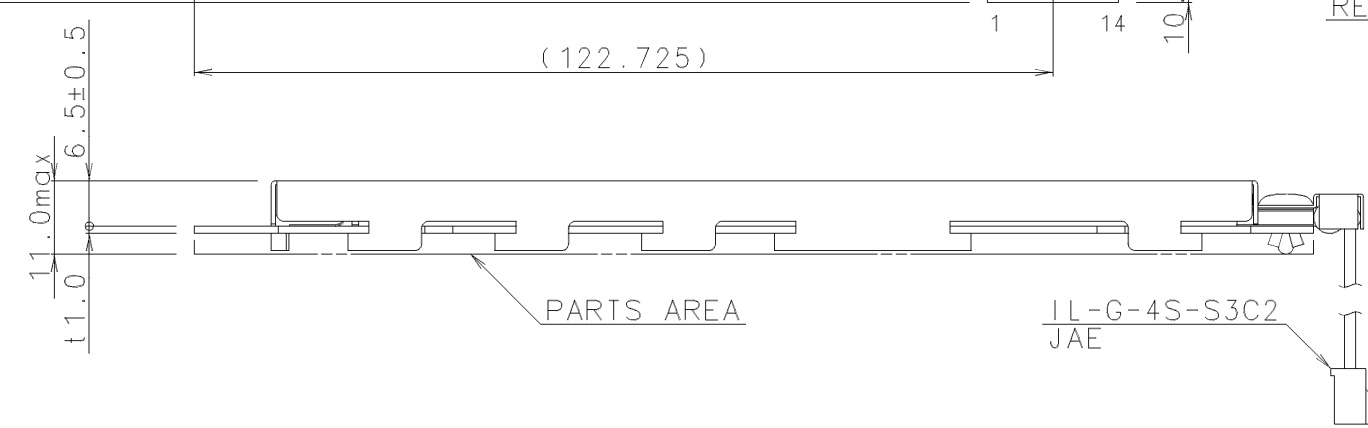
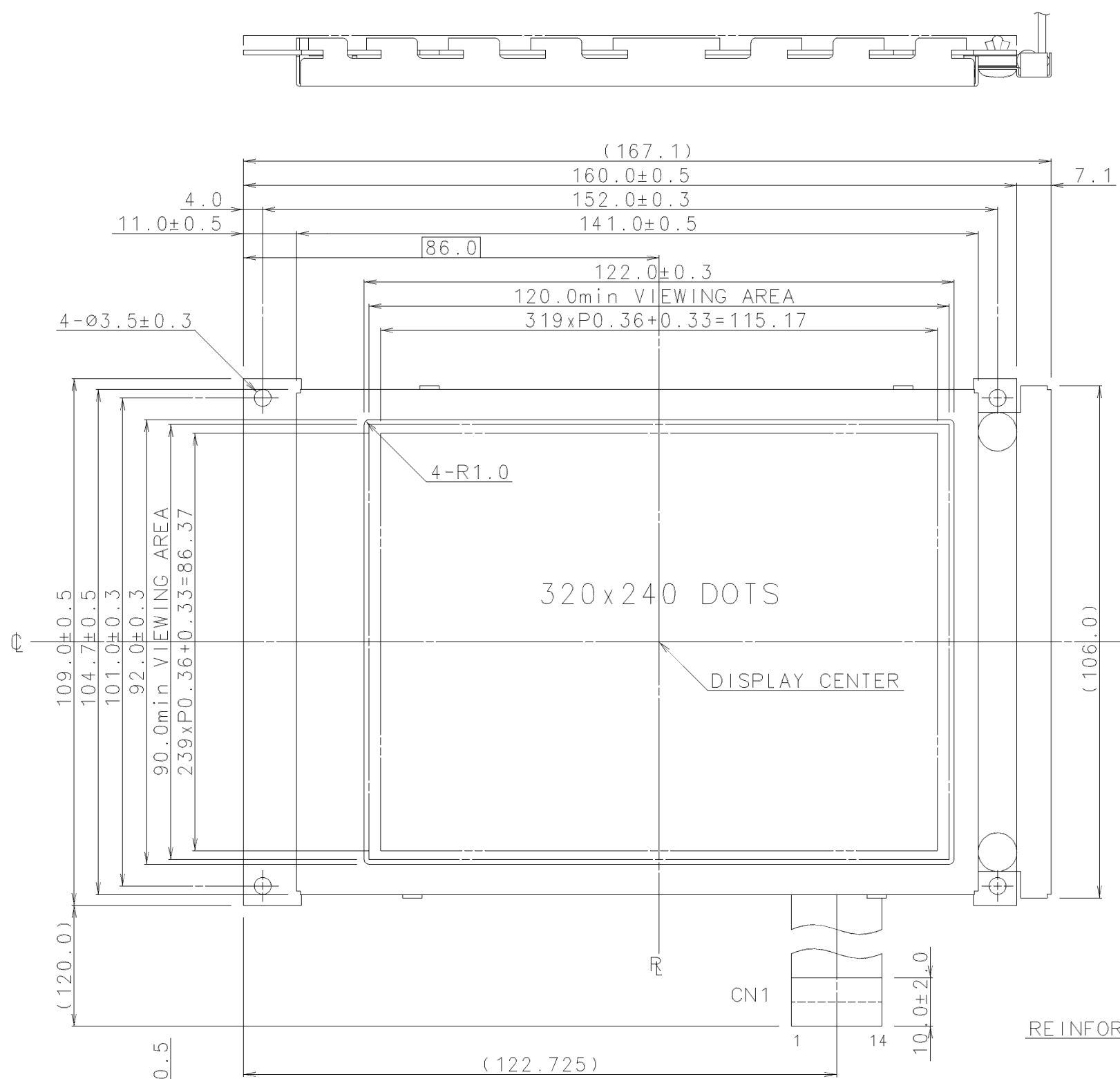
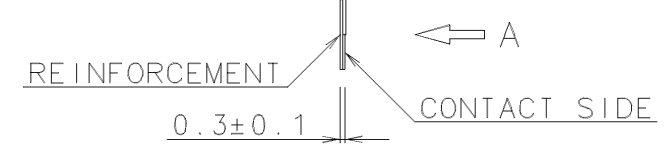
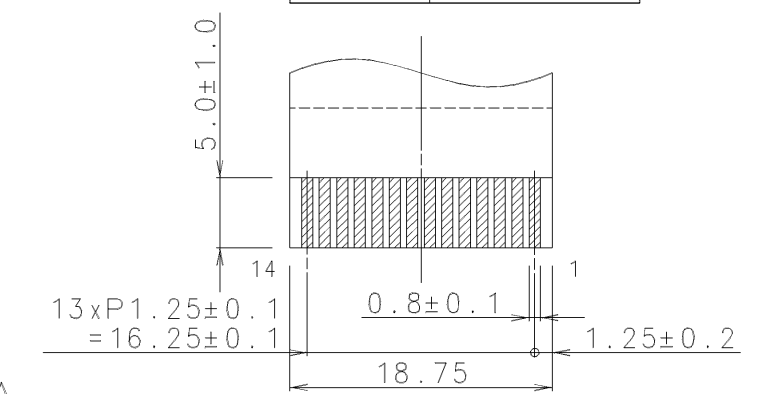
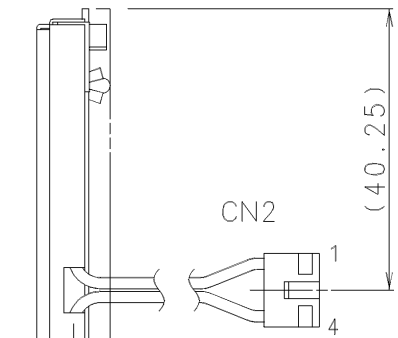
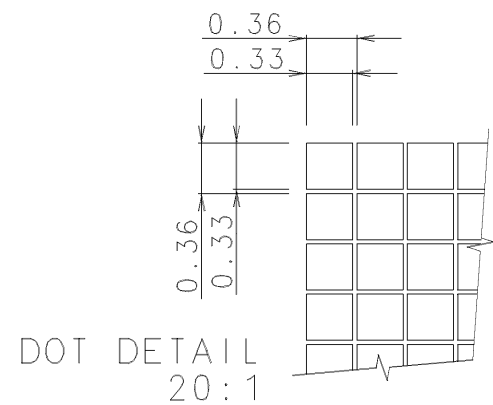




ISSUE	REVISIONS	DRAWN	APPROVED	DATE
-------	-----------	-------	----------	------

PIN ASSIGNMENT

CN1	
PIN No.	SYMBOL
1	D0
2	D1
3	D2
4	D3
5	DISPOFF
6	FLM
7	N.C.
8	LP
9	CP
10	VCC
11	VSS
12	VEE
13	VADJ
14	FG
CN2	
PIN No.	SYMBOL
1	CFL HOT
2	N.C.
3	N.C.
4	CFL GND



TOLERANCE			3'rd ANGLE	DATE	OPTREX CORPORATION
MEASURE	A	B	PROJECTION	Jul. 5'96	
L ≤ 16	±0.1	±0.3	mm	APPROVED	TITLE
16 < L ≤ 63	±0.2	±0.5		S.Kuwabara	DIMENSIONAL OUTLINE
63 < L ≤ 250	±0.3	±0.8	SCALE	CHECKED	CODE
250 < L ≤ 500	±0.5	±1.2	1:1	T.Okamoto	DMF-50840 Series
500 < L	±0.8	±2.0		DRAWN	DRAWING No.
ANGLE	± 1°	± 5°	± 10°	Y.Takada	UE-36988