

OLED DISPLAY SOLUTIONS

Pictiva™ 0.8-inch 96x16 OLED display



OS096016PP08MxxB10

Features

- Thin profile (1.7mm)
- RoHS compliant
- Low power consumption
- 180° viewing angle
- High contrast
- Long-lifetime OLED

Benefits

- Suits small form-factor applications
- Excellent for battery-powered devices
- Provides excellent legibility for text and icon display

Applications

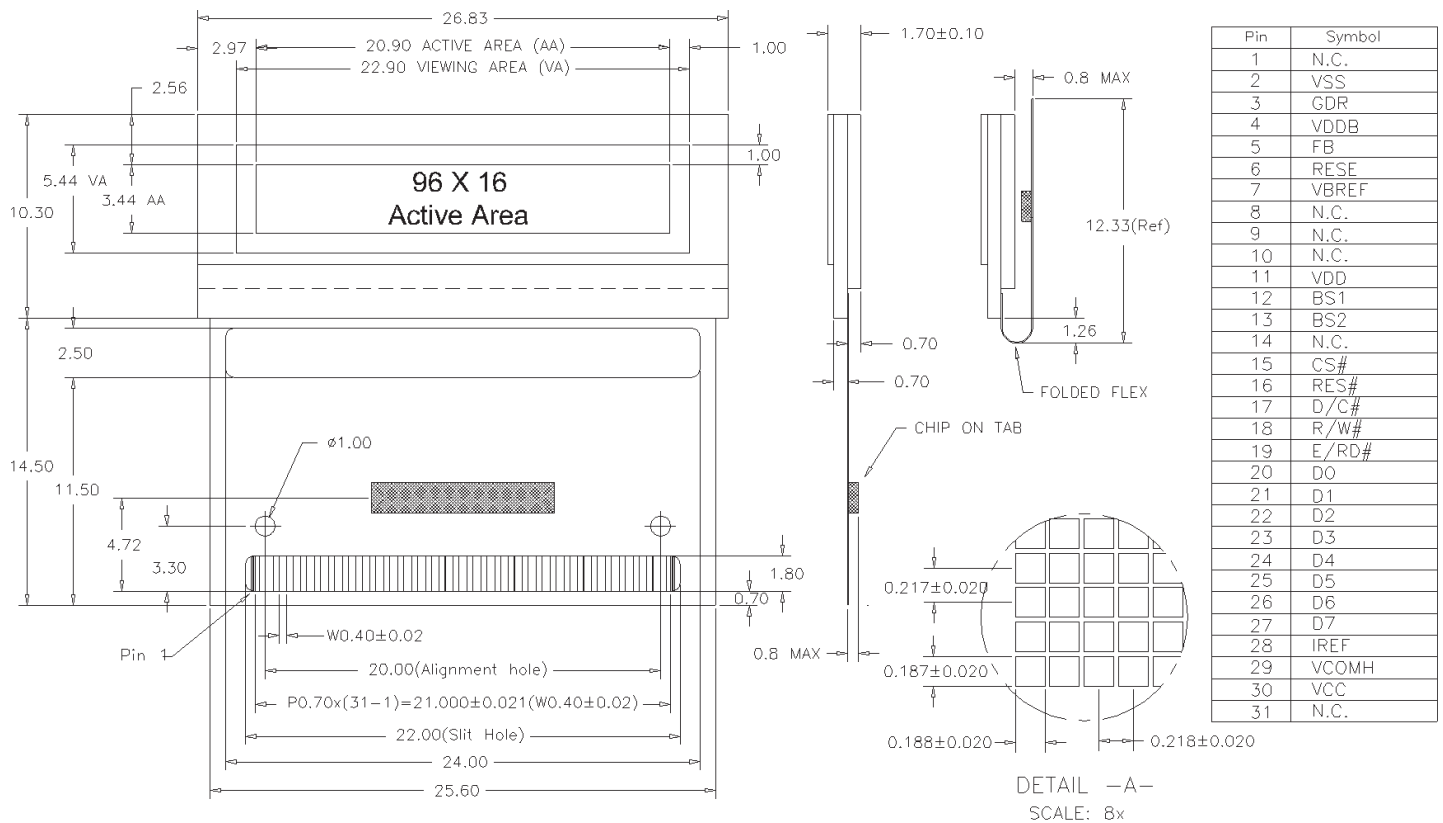
- Mobile Devices
- Headsets
- Personal Care

Specifications

Display Format	96 Columns x 16 Rows				
Diagonal	0.8 inch				
Pixel Pitch	0.22 mm x 0.22 mm				
Color, Luminance & Lifetime	Color On Demand	CIE x	CIE y	cd/m ²	Lifetime hrs, 25°C
	Elegance Yellow	0.46	0.54	100/200*	40K/10K*
	Lime Green	0.37	0.62	120	10K
	Tiger Orange	0.63	0.37	50	10K
	Galaxy White	0.25	0.25	80	TBA
	Ocean Blue	0.14	0.17	45	TBA
Grayscale	1 bit				
Active Area	21.09 (W) X 3.49 (H) mm				
Module Size	26.83 (W) X 25.3 (H) X 1.76 (T) mm				
Viewing Angle	180°				
Contrast Ratio	2000:1 dark ambient				
Temperature	-30°C to +70°C Operating				
Voltage	2.4V – 3.5V (Logic), 9V (OLED Supply)				
Power	0.05 mW (Sleep Mode)				
Interface	Parallel or Serial (SPI, I ² C), TAB interconnect				
Driver	SSD0303 (1-bit)				
Weight	1.2g nominal				

* High Brightness Mode

Mechanical Dimensions and Pin Description



Ordering Information

Part Number	Order Number	Description
OS96016PP08MY0B10	Q65110A3982	Pictiva™ 0.8 inch 96x16 OLED Display, Elegance Yellow
OS96016PP08MG1B10	Q65110A4087	Pictiva™ 0.8 inch 96x16 OLED Display, Lime Green
OS96016PP08MO1B10	Q65110A4088	Pictiva™ 0.8 inch 96x16 OLED Display, Tiger Orange
OS96016PP08MW1B10	Q65110A4084	Pictiva™ 0.8 inch 96x16 OLED Display, Galaxy White
OS96016PP08MB2B10	Q65110A4085	Pictiva™ 0.8 inch 96x16 OLED Display, Ocean Blue

Contact Information

OSRAM Opto Semiconductors

Asia: +60(4) 631-8100 prasia@osram-os.com

Europe: +49 (0)941-850-3535 pr@osram-os.com

North America: +1-888-446-7726 ext.4310 info@osram-os.com

Web: www.pictiva.com