

# OLED DISPLAY SOLUTIONS

# Pictiva™ 2.7-inch 128x64 OLED display



OS128064PK27MxxA00

## Features

- Long-lifetime OLED
- Industry standard size
- 180° viewing angle
- Fast response, video capable
- High contrast
- Wide operating temperature range
- Thin profile (3.4mm)
- RoHS compliant

## Benefits

- Ease of readability
- No backlight required
- Excellent presentation of graphic or text images
- Upgrade path from standard LCDs

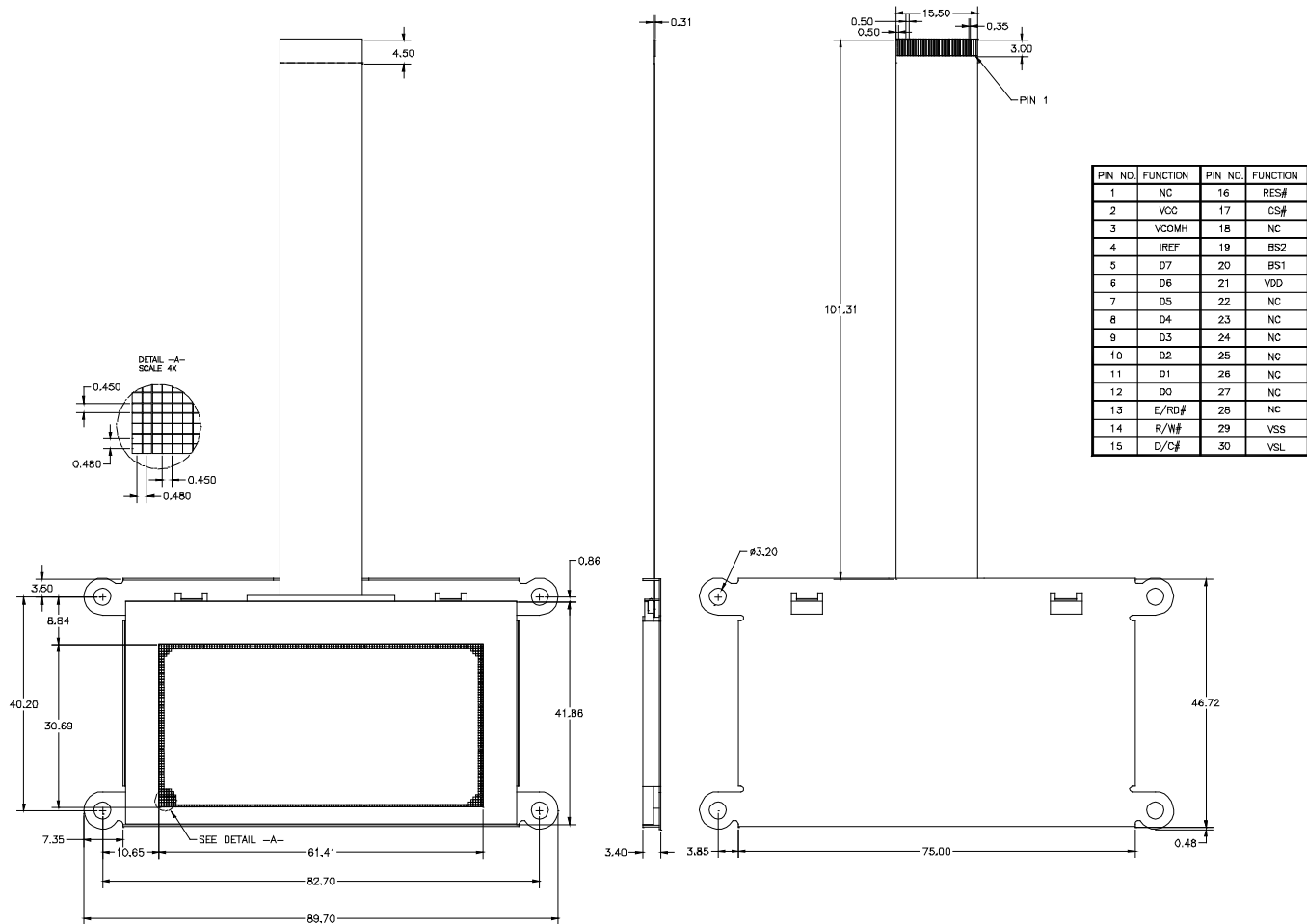
## Applications

- Audio
- Industrial
- Medical
- Instruments

## Specifications

Display Format	128 Columns x 64 Rows				
Diagonal	2.7 inch				
Pixel Pitch	0.48 (H) x 0.48 (W) mm				
Color, Luminance & Lifetime	Color	CIE x	CIE y	cd/m <sup>2</sup>	Lifetime hrs, 25°C
	Elegance Yellow	0.46	0.54	70	55K
	Spring Green	0.41	0.58	100	12K
	70			22K	
Grayscale	4 bit (16 gray levels)				
Active Area	61.4 (W) X 30.7 (H) mm				
Module Size	89.7 (W) X 46.7 (H) X 3.4(T) mm				
Viewing Angle	180°				
Contrast Ratio	2000:1 dark ambient				
Temperature	-30°C to +70°C				
Logic Voltage	2.4V - 3.5V				
Supply Voltage	15V typical				
Power Consumption	0.05 mW (sleep mode)				
Interface	Parallel / Serial, ZIF interconnect				
Driver	SSD0323				
Weight	23g typical				

# Mechanical Dimensions and Pin Description



## Ordering Information

Part Number	Order Number	Description
OS128064PK27MY0B00	Q65110A4433	Pictiva™ 2.7 inch 128x64 OLED Display, Elegance Yellow
OS128064PK27MG0B00	Q65110A4434	Pictiva™ 2.7 inch 128x64 OLED Display, Spring Green

## Contact Information

OSRAM Opto Semiconductors

Asia: +60(4) 631-8100 [prasia@osram-os.com](mailto:prasia@osram-os.com)

Europe: +49 (0)941-850-3535 [pr@osram-os.com](mailto:pr@osram-os.com)

North America: +1-888-446-7726 ext.4310 [info@osram-os.com](mailto:info@osram-os.com)

Web: [www.pictiva.com](http://www.pictiva.com)

©2005 OSRAM Opto Semiconductors. OSRAM, the OSRAM logo and Pictiva are trademarks and/or service marks of OSRAM Opto Semiconductors, Inc. Other brands or products are trademarks of their respective holders. OSRAM holds a license from Cambridge Display Technology to manufacture and sell polymer light emitting displays. The specifications contained in this document are subject to change without notice. OSRAM Opto Semiconductor, Inc. assumes no responsibility or liability arising out of the application or use of any legal information, product or service described herein except as expressly agreed to in writing by OSRAM Opto Semiconductors, Inc. Customers are advised to obtain the latest version of the device specifications before relying on any published information and before placing orders for products or services. All rights reserved. Lit# 517DS-1 updated on 12/22/05