

OLED DISPLAY SOLUTIONS

Pictiva™ 1.2-inch 96x64 OLED display



OS096064PK12Mxxx0x

Features

- Long-lifetime OLED
- 180° viewing angle
- Fast response, video capable
- High contrast
- Wide operating temperature range
- RoHS compliant on selected models

Benefits

- Ease of readability
- No backlight required
- Low power consumption

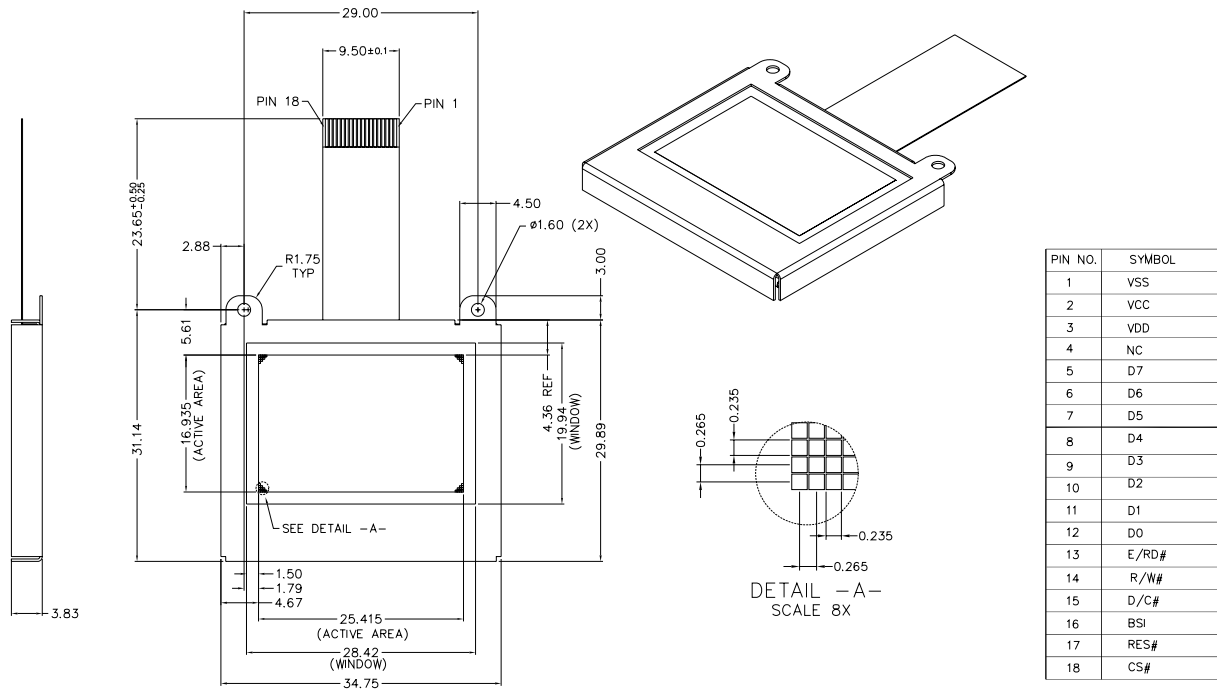
Applications

- Audio/Video
- Entertainment
- Industrial
- Medical
- Instruments

Specifications

Display Format	96 Columns x 64 Rows				
Diagonal	1.2 inch				
Pixel Pitch	0.265 (W) x 0.265 (H) mm				
Color, Luminance & lifetime	Color	CIE x	CIE y	Cd/m ²	Lifetime hrs, 25°C
	Elegance Yellow	0.46	0.54	100	40K
				200	10K
	Lime Green	0.37	0.62	150	10K
Tiger Orange	0.63	0.37	60	10K	
Grayscale	4 bit				
Active Area	25.42 (W) X 16.94 (H) mm				
Module Size	34.75 (W) X 32.89 (H) X 3.83* mm (T) *including bezel				
Viewing Angle	180°				
Contrast Ratio	2000:1 dark ambient				
Temperature	-30°C to 70°C				
Logic Voltage	2.4V – 3.5V				
Supply Voltage	12V				
Power Cons.	0.05 mW (sleep mode)				
Interface	Parallel/Serial				
Driver	SSD0323				
Weight	4.6g typical				

Mechanical Dimensions and Pin Description



Ordering Information

Part Number	Order Number	Description
OS096064PK12MY0Z00 *	Q65110A5715	Pictiva™ 1.2 inch 96x64 OLED Display, Elegance Yellow
OS096064PK12MY0A01	Q65110A1670	Pictiva™ 1.2 inch 96x64 OLED Display, Elegance Yellow
OS096064PK12MG1A00	Q65110A3431	Pictiva™ 1.2 inch 96x64 OLED Display, Lime Green
OS096064PK12MO1A00	Q65110A3433	Pictiva™ 1.2 inch 96x64 OLED Display, Tiger Orange

Note : * RoHS compliant product

Contact Information

OSRAM Opto Semiconductors

Asia :

+60(0) 4 631-8100

prasia@osram-os.com

Europe :

+49(0) 941-850-3535

pr@osram-os.com

North America :

+1-888-446-7726 ext.4310

info@osram-os.com

Web :

www.pictiva.com

©2005 OSRAM Opto Semiconductors. OSRAM, the OSRAM logo and Pictiva are trademarks and/or service marks of OSRAM Opto Semiconductors, Inc. Other brands are trademarks of their respective holders. OSRAM hold a license from Cambridge Display Technology to manufacture and sell polymer light emitting display. The specifications contained in this document are subjected to change without notice. OSRAM Opto Semiconductors, Inc. assumes no responsibility or liability arising out of the application or use of any legal information, product or service described herein except as expressly agreed to in writing by OSRAM Opto Semiconductors, Inc. Customers are advised to obtain the latest version of the device specification before relying on any published information and before placing orders for products or services. All right reserved

Lit# 517DS-1 updated on 12/22/05