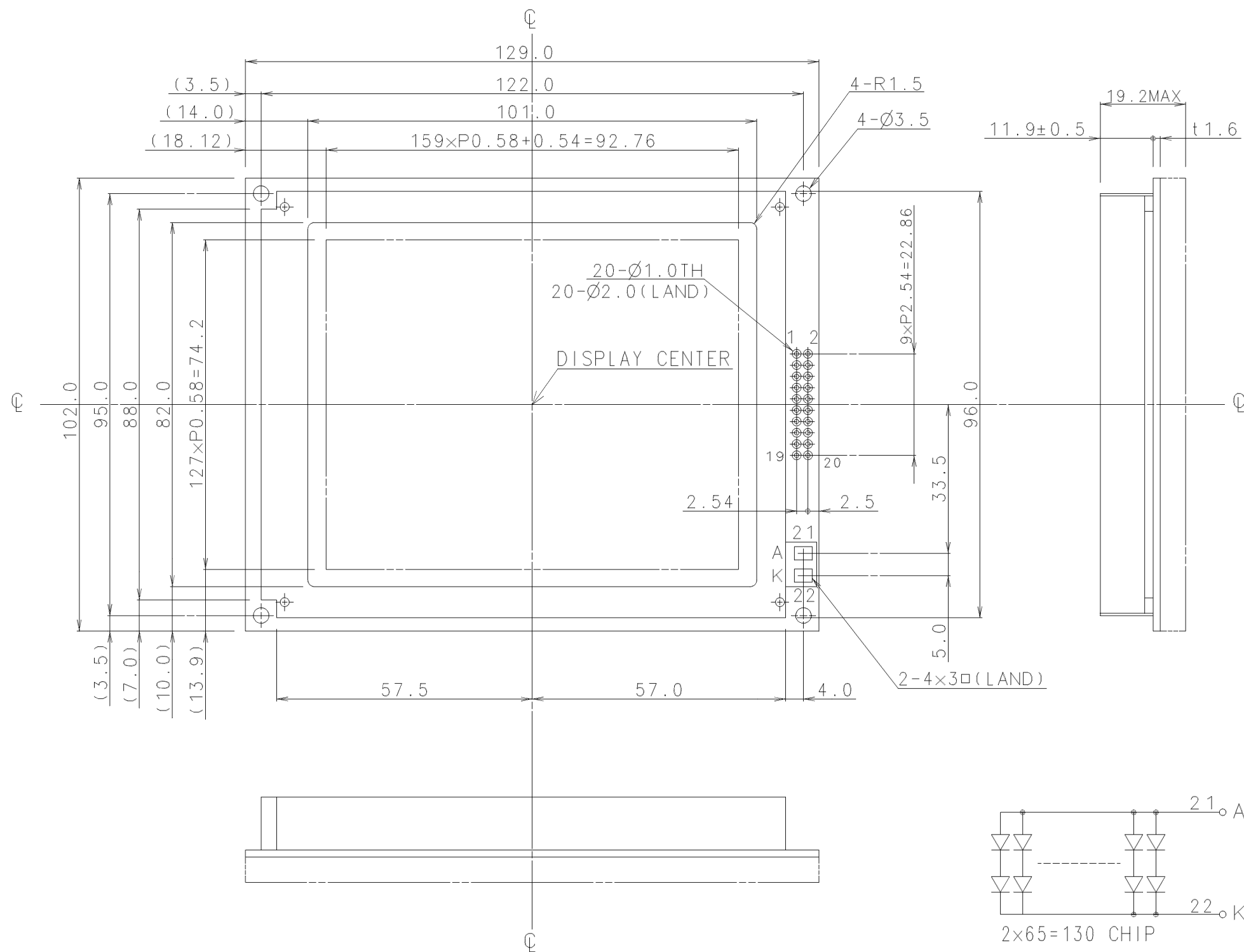


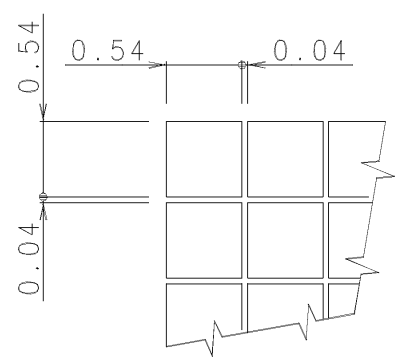
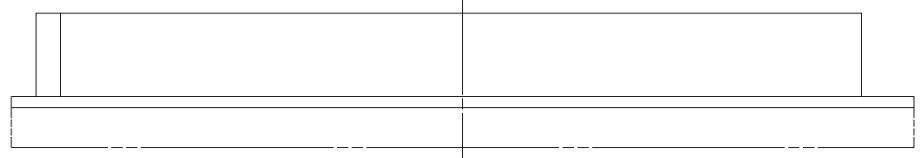
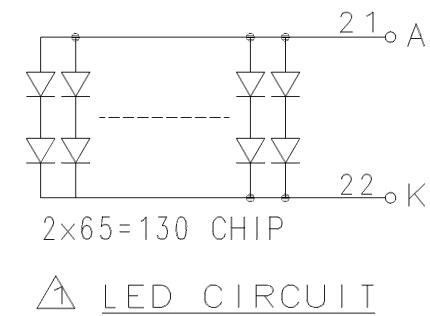


ISSUE	REVISIONS	DRAWN	APPROVED	DATE
△	ADDITION OF LED CIRCUIT	T. Okai	S. Kuwabara	JUL. 21'93



### PIN ASSIGNMENT

PIN No.	SYMBOL
1	FG
2	VSS
3	VCC
4	VADJ
5	VEE
6	WR
7	RD
8	CE
9	C/D
10	HALT
11	RESET
12	D0
13	D1
14	D2
15	D3
16	D4
17	D5
18	D6
19	D7
20	NC
21	LED A
22	LED K



DOT DETAIL SCALE 20:1

TOLERANCE			THIRD ANGLE PROJECTION	DATE JUL, 21'93	OPTREX CORPORATION
MEASURE	A	B			
L ≤ 16	±0.1	±0.3	±1	UNIT mm	APPROVED S. Kuwabara
16 < L ≤ 63	±0.2	±0.5	±1.5	SCALE 1:1	CHECKED S. Matsuoka
63 < L ≤ 250	±0.3	±0.8	±2		DRAWN T. Okai
250 < L ≤ 500	±0.5	±1.2	±3		DWG NO
500 < L	±0.8	±2	±4		
ANGLE	±1°	±5°	±10°		

TITLE	CODE
DIMENSIONAL OUTLINE	DMF5001 LED Seires
UE-34487A	