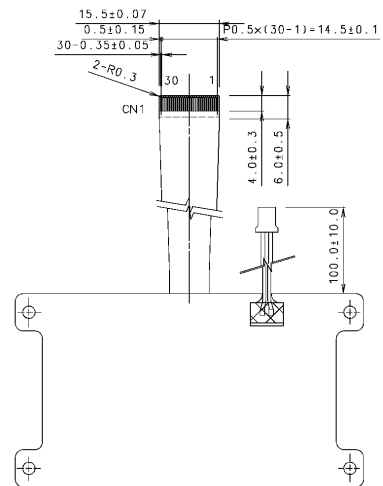
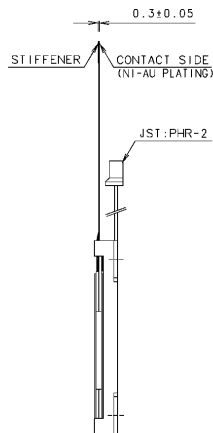
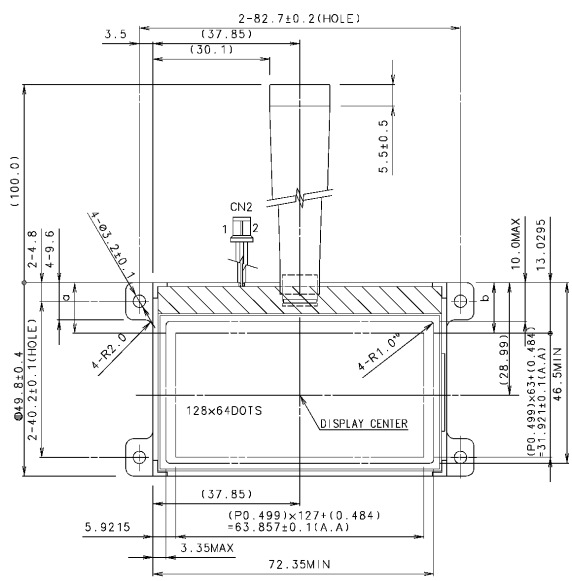
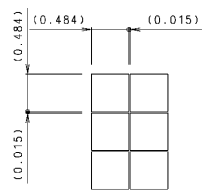
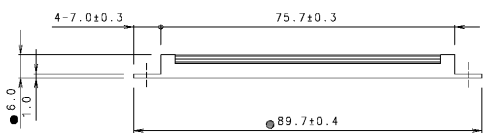


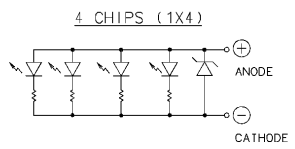
ISSUE	REVISIONS	DRAWN	DATE
△			



VIEWING DIRECTION



DOT DETAIL (S=20:1)



CN2 PIN ASSIGNMENT

No.	SYMBOL
1	LED A
2	LED K(CATHODE)

CN1 PIN ASSIGNMENT

No.	SYMBOL	No.	SYMBOL	No.	SYMBOL
1	/CS1	11	D5	21	C2-
2	/RES	12	D6	22	V1
3	A0	13	D7	23	V2
4	/WR	14	VDD	24	V3
5	/RD	15	VSS	25	V4
6	D0	16	VOUT	26	V0
7	D1	17	C3+	27	VR
8	D2	18	C1-	28	C86
9	D3	19	C1+	29	P/S
10	D4	20	C2+	30	IRS

TOLERANCE

MEASURE	A	B	C
L±16	±0.1	±0.3	±1
16<L≤63	±0.2	±0.5	±1.5
63<L≤250	±0.3	±0.8	±2
250<L≤500	±0.5	±1.2	±3
500<L	±0.8	±2	±4
ANGLE	±1°	±5°	±10°

NOTE

- THE DIMENSION WITH THE MARK (◎) ARE CONTROLLED AS A PARTICULAR CHARACTERISTIC.
- ◎ SHOWS MAX AREA OF SILICONE RESIN.
- VIEWING DIRECTION: DIRECTION THAT YOU CAN SEE THE DISPLAY MOST CLEARLY.
- DISPLAY SKEW |a-b| ≤ 0.5
- DO NOT USE MATERIALS WHICH ARE PROHIBITED BY ROHS.

MATERIAL: FINISH:

DATE: 2008/10/13

APPROVED: Tokihito Sawada

CHECKED: Masami Motohashi

DRAWN: Shun Li

THIRD ANGLE PROJECTION

SCALE: 1:1 UNIT: mm

DATE: Oct, 7'08

DSCN: Shun Li

OPTEX CORPORATION

TITLE: DIMENSIONAL OUTLINE

DWG NO(CODE): F-55472AABASE

DWG SIZE: A3

DWG REV:

Confidential