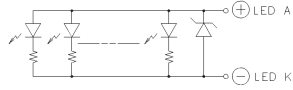
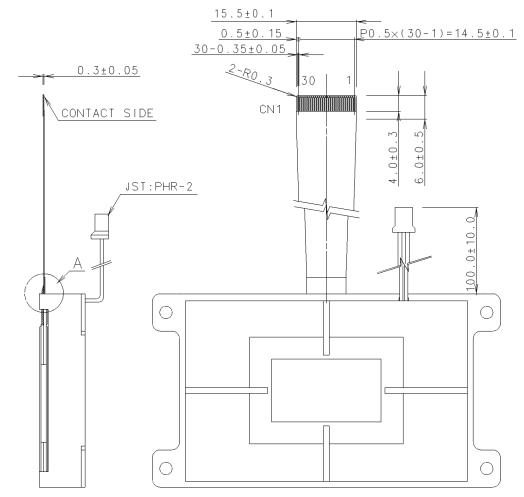
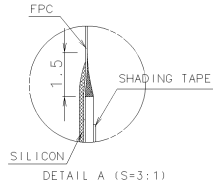
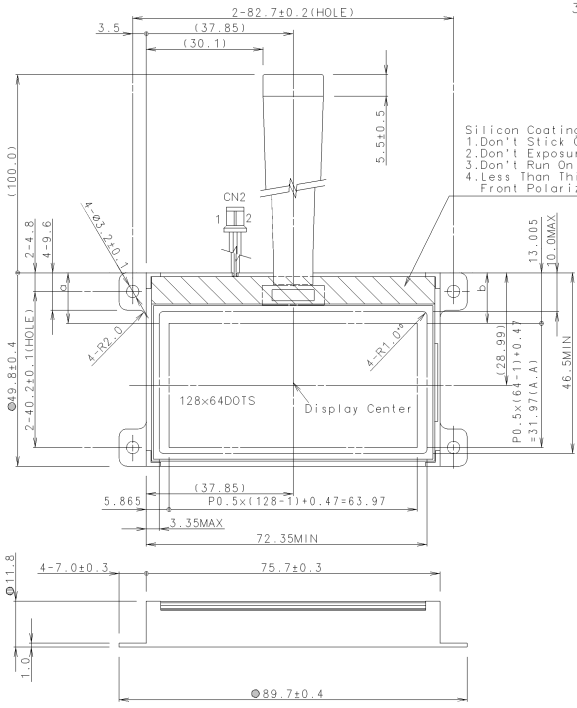


ISSUE	REVISIONS	DRAWN	APPROVED	DATE

CIRCUIT DIAGRAM



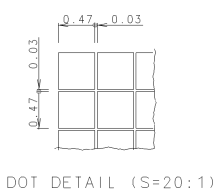
QTY of LED chips
 351852AA/AC : 4chips
 351852AB : 7chips
 351852AG : 12chips



No.	SYMBOL	No.	SYMBOL	No.	SYMBOL
1	CS1	11	D5	21	C2+
2	RES	12	D6	22	V1
3	A0	13	D7	23	V2
4	WR	14	VDD	24	V3
5	RD	15	VSS	25	V4
6	D0	16	VOUT	26	V5
7	D1	17	C3-	27	VR
8	D2	18	C1+	28	C86
9	D3	19	C1-	29	P/S
10	D4	20	C2-	30	NC

PIN No.	SYMBOL
1	LED A
2	LED K

- NOTES
 1. Display Skew |a-b| ≤ 0.5
 2. Do not use materials which are prohibited by RoHS.
 3. The dimensions with the mark (●) are controlled as a particular characteristic.



MEASURE	TOLERANCE			THIRD ANGLE PROJECTION	DATE	TITLE
	A	B	C			
L≤16	±0.1	±0.3	±1	UNIT	Feb. 25 '05	OPTREX CORPORATION
16<L≤63	±0.2	±0.5	±1.5	mm	APPROVED	M. MOTOHASHI
63<L≤250	±0.3	±0.8	±2	SCALE	CHECKED	T. SUZUKI
250<L≤500	±0.5	±1.2	±3	1:1	DRAWN	ONG NO
500<L	±0.8	±2	±4	ANGLE	ERASA. TANG	UE-312339
ANGLE	±1°	±5°	±10°			