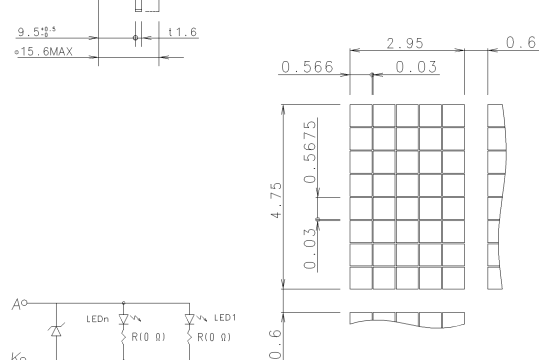
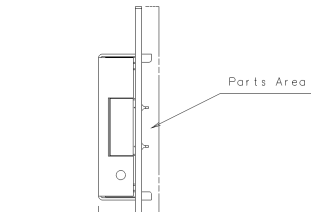
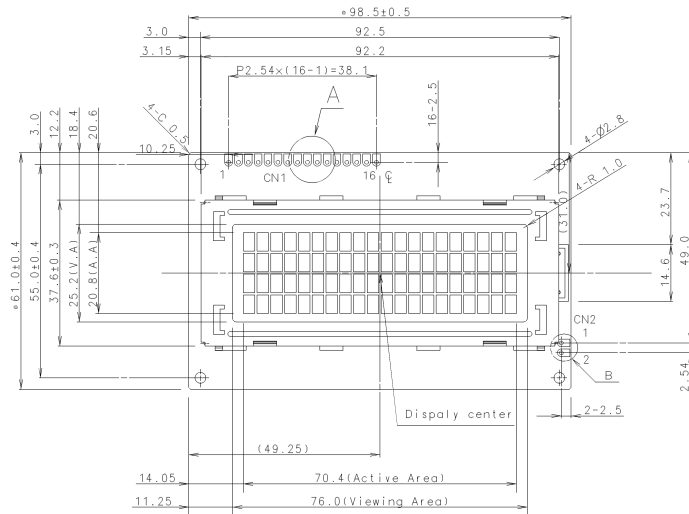


ISSUE	REVISIONS	DRAWN	APPROVED	DATE



PIN Assignment (CN1)	
No.	SYMBOL
1	VSS
2	VCC
3	VEE
4	RS
5	R/W
6	E
7	DB0
8	DB1
9	DB2
10	DB3
11	DB4
12	DB5
13	DB6
14	DB7
15	LED: ANODE
16	LED: CATHODE

PIN Assignment (CN2)	
No.	SYMBOL
1	LED: CATHODE
2	LED: ANODE



- Notes:
- Do not use materials which are prohibited by ROHS.
  - The dimensions with the mark (\*) are controlled as a particular characteristic.

MEASURE	TOLERANCE			THIRD ANGLE PROJECTION	DATE	OPTREX CORPORATION
	A	B	C			
L $\leq$ 16	$\pm 0.1$	$\pm 0.3$	$\pm 1$	UNIT	Feb. 25 '05	TITLE
16<L $\leq$ 63	$\pm 0.2$	$\pm 0.5$	$\pm 1.5$	mm	APPROVED	DIMENSIONAL OUTLINE
63<L $\leq$ 250	$\pm 0.3$	$\pm 0.8$	$\pm 2$	SCALE	M. MOTOHASHI	CODE
250<L $\leq$ 500	$\pm 0.5$	$\pm 1.2$	$\pm 3$	1:1	CHECKED	C-51847AA base
500<L	$\pm 0.8$	$\pm 2$	$\pm 4$	DRAWN	T. SUZUKI	DWG NO
ANGLE	$\pm 1^\circ$	$\pm 5^\circ$	$\pm 10^\circ$	X. Hawk		UE-312334