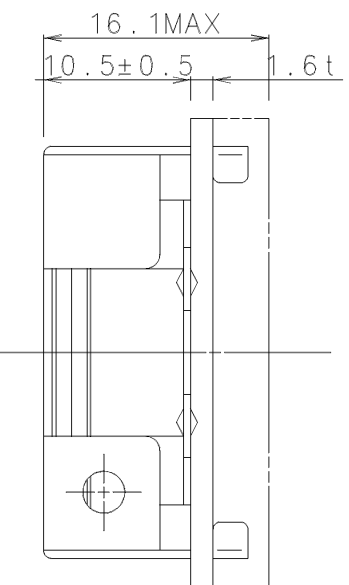
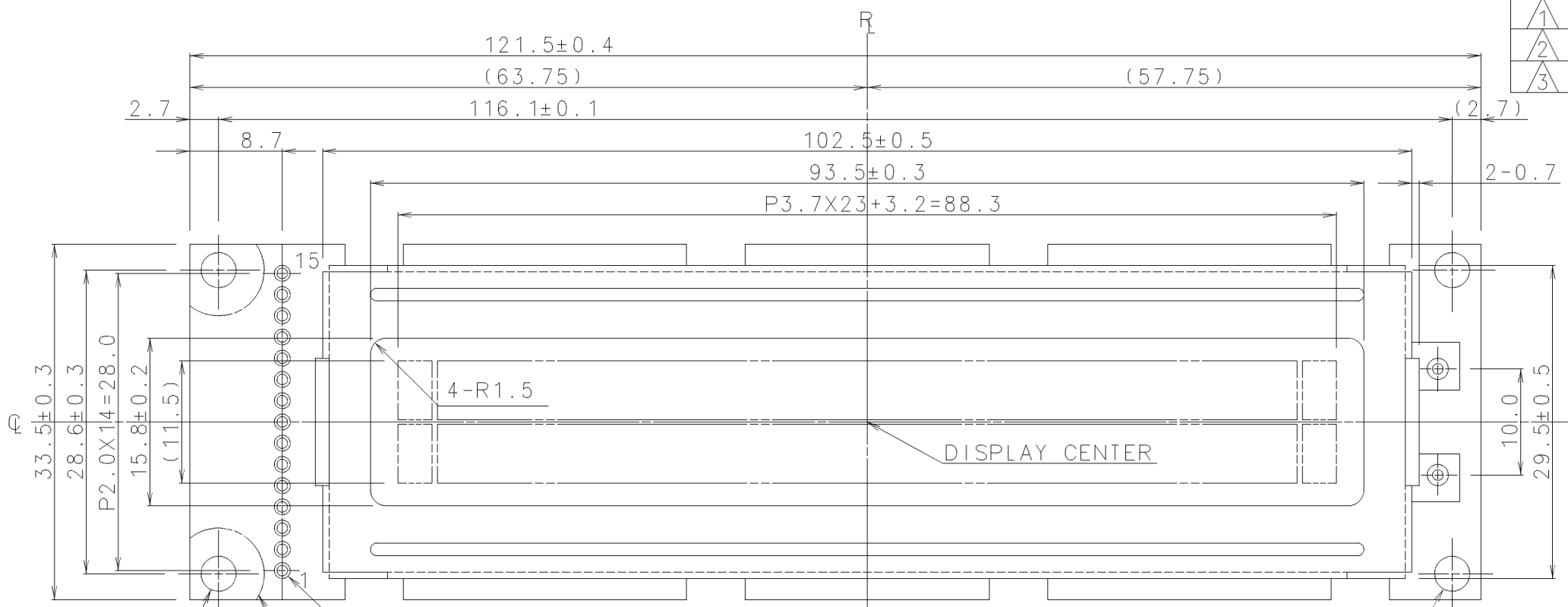


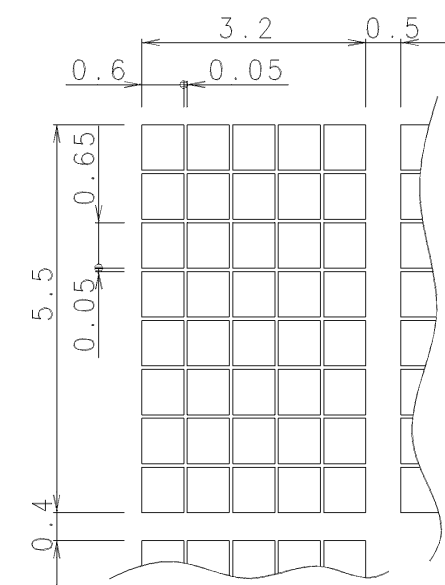
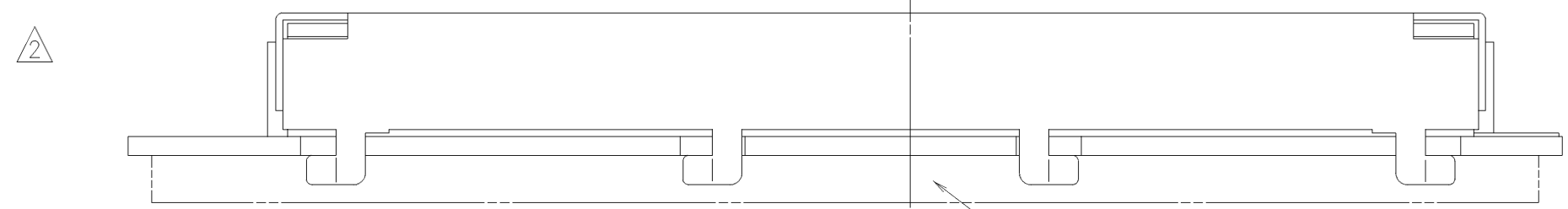


ISSUE	REVISIONS	DRAWN	APPROVED	DATE
1	EXPANDED NO PATTERN AREA	M.M	Y.T	Sep 05'90
2	JAPANESE-ENGLISH TRANSLATION	M.M	Y.T	Oct 25'94
3	CORRECTION	T.K	Y.T	Jun 05'98



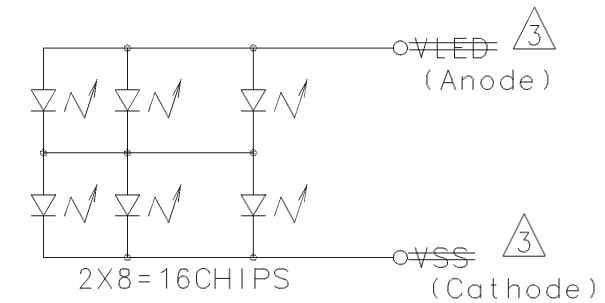
DOTS DETAIL (Scale=10:1)

4-ø3.3 PLATED HOLE
 15-ø1.0 PLATED HOLE
 15-ø1.5 LAND (BOTH SIDE)
 3-ø8.6 NO PLATED PATTERN AREA (BOTH SIDE)
 ø8.6 NO PLATED PATTERN AREA (TOP SIDE)
 ø8.6 FRAME GROUND PATTERN (BOTTOM SIDE)



PIN ASSIGNMENT

COMPONENTS AREA



LED BACKLIGHT UNIT

Pin No.	SYMBOL	Pin No.	SYMBOL
1	VSS	9	DB2
2	VCC	10	DB3
3	VEE	11	DB4
4	RS	12	DB5
5	R/W	13	DB6
6	E	14	DB7
7	DB0	15	VLED
8	DB1		

MEASURE	TOLERANCE			THIRD ANGLE PROJECTION	DATE Sep 05'91	OPTREX CORPORATION
	A	B	C			
L≤16	±0.1	±0.3	±1	UNIT	APPROVED Y.TAKADA	TITLE DIMENSIONAL OUTLINE
16<L≤63	±0.2	±0.5	±1.5	mm	CHECKED N.WADA	CODE DMC-50149NYU-LY-B
63<L≤250	±0.3	±0.8	±2	SCALE	DRAWN T.KURODA	DWG NO UE-33623C
250<L≤500	±0.5	±1.2	±3	2:1		
500<L	±0.8	±2	±4			
ANGLE	±1°	±5°	±10°			