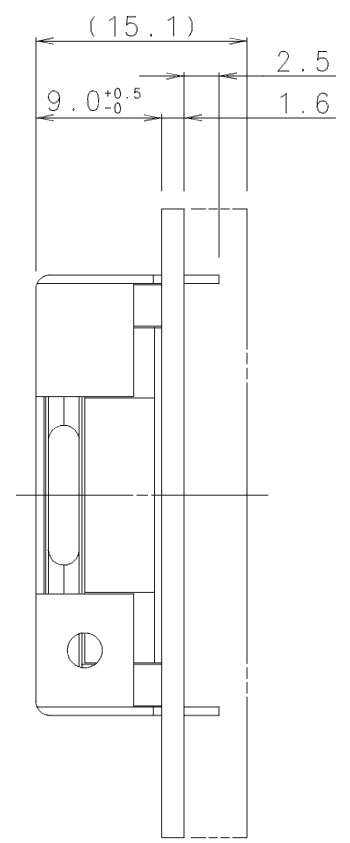
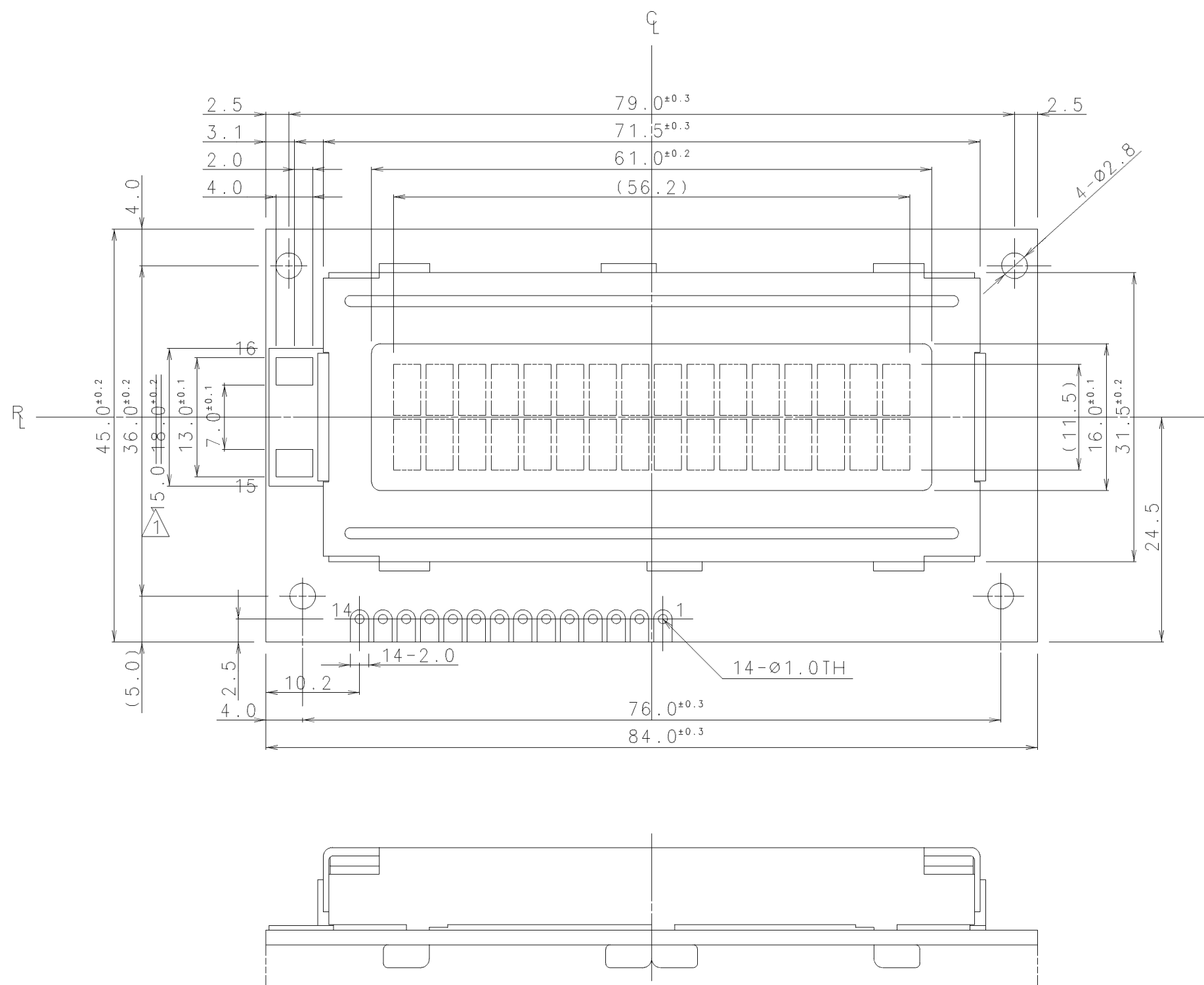
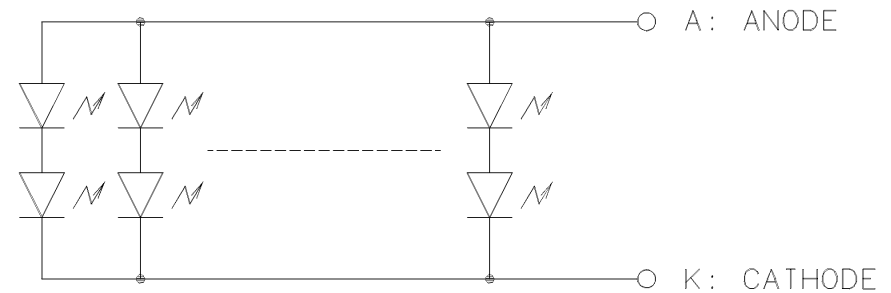
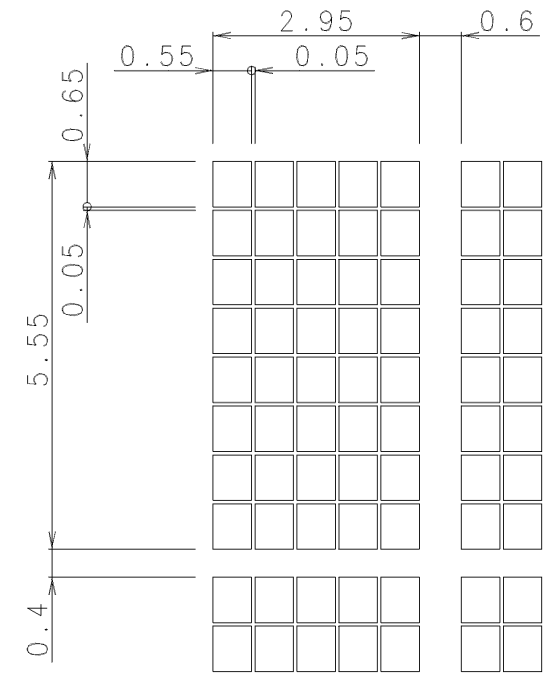




ISSUE	REVISIONS	DRAWN	APPROVED	DATE
1	Change of measurement	NAKAMURA	T,Katsuta	JAN,27'95



PIN ASSIGNMENT	
No.	SYMBOL
1	VSS
2	VCC
3	VEE
4	RS
5	R/W
6	E
7	DB0
8	DB1
9	DB2
10	DB3
11	DB4
12	DB5
13	DB6
14	DB7
15	LED CATHODE
16	LED ANODE



2x9=18chips  
LED CIRCUIT

MEASURE	TOLERANCE			THIRD ANGLE PROJECTION	DATE Sep 23'87
	A	B	C		
L≤16	±0.1	±0.3	±1	UNIT	APPROVED T,Katsuta
16<L≤63	±0.2	±0.5	±1.5	mm	CHECKED T,Ohyama
63<L≤250	±0.3	±0.8	±2	SCALE	DRAWN N.Wada
250<L≤500	±0.5	±1.2	±3	2:1	
500<L	±0.8	±2	±4		
ANGLE	±1°	±5°	±10°		

OPTREX CORPORATION  
TITLE DIMENSIONAL OUTLINE  
CODE DMC16202Series  
DWC NO UE-31614A