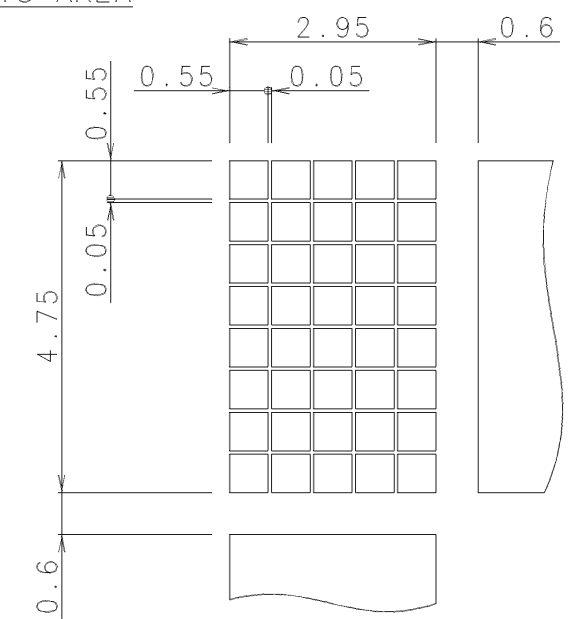
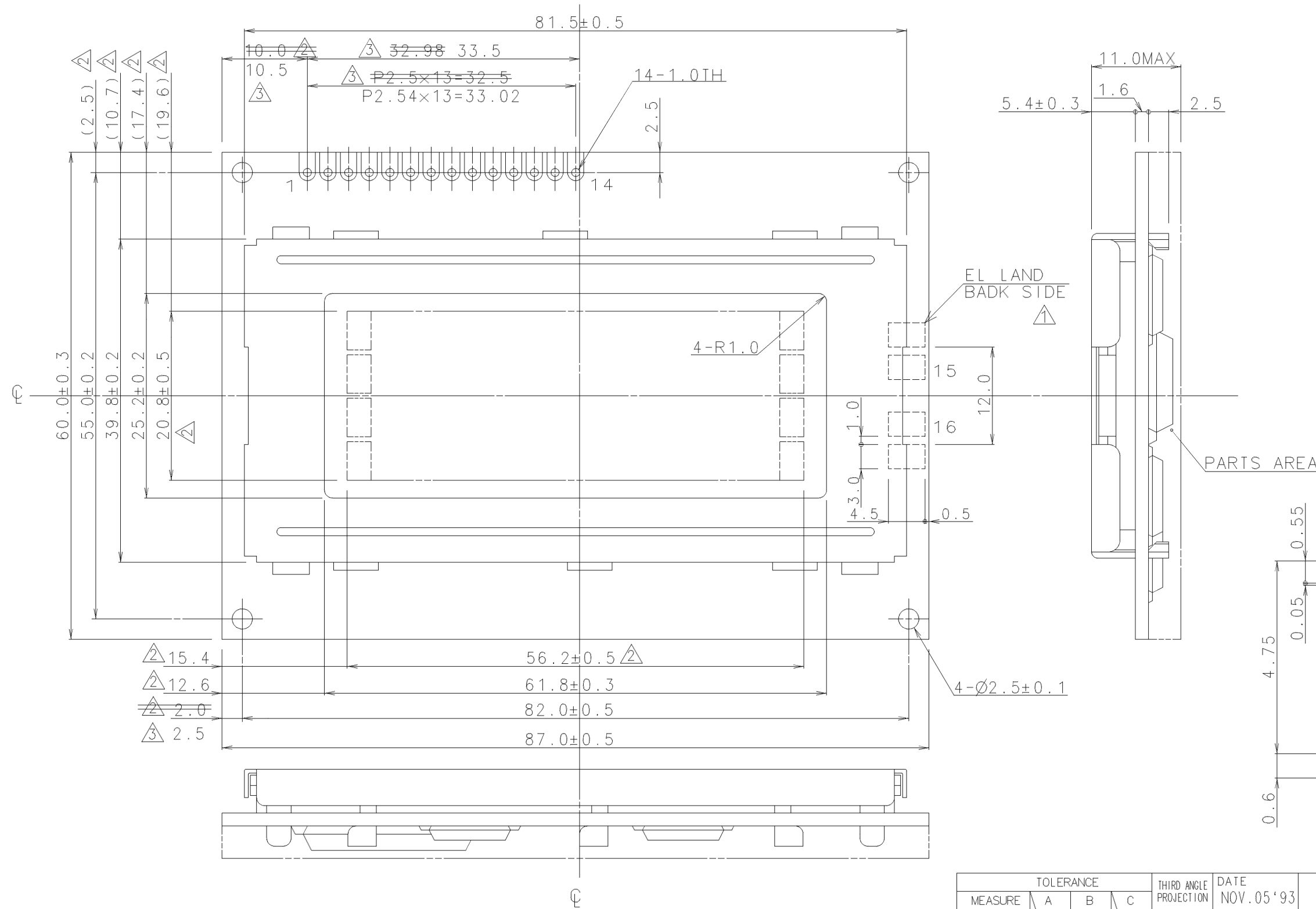




ISSUE	REVISIONS	DRAWN	APPROVED	DATE
①	ADDITION OF EL LAND	T.Okamoto	S.Kuwabara	JUL, 16'98
②	ADDITION OF SIZE	M.Nakamura	S.Kuwabara	OCT, 19'93
③	CORRECTION OF DIMENSION	S.Mizobuchi	S.Kuwabara	OCT, 14'86

PIN ASSIGNMENT

PIN No.	SYMBOL
1	VSS
2	VCC
3	VEE
4	RS
5	R/W
6	E
7	DB0
8	DB1
9	DB2
10	DB3
11	DB4
12	DB5
13	DB6
14	DB7
15	EL
16	EL



MEASURE	TOLERANCE			THIRD ANGLE PROJECTION	DATE	OPTREX CORPORATION
	A	B	C			
L ≤ 16	±0.1	±0.3	±1	UNIT	NOV. 05'93	TITLE
16 < L ≤ 63	±0.2	±0.5	±1.5	mm	APPROVED	DIMENSIONAL OUTLINE
63 < L ≤ 250	±0.3	±0.8	±2	SCALE	S.Kuwabara	CODE
250 < L ≤ 500	±0.5	±1.2	±3	2:1	CHECKED	DMC16433 EL Series
500 < L	±0.8	±2	±4		S.Matsuoka	DWG NO
ANGLE	±1°	±5°	±10°		DRAWN	UE-31748C
					M.Nakamura	