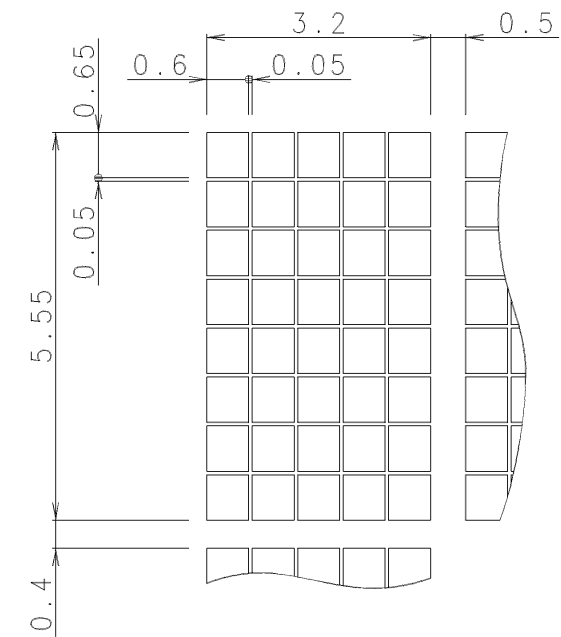
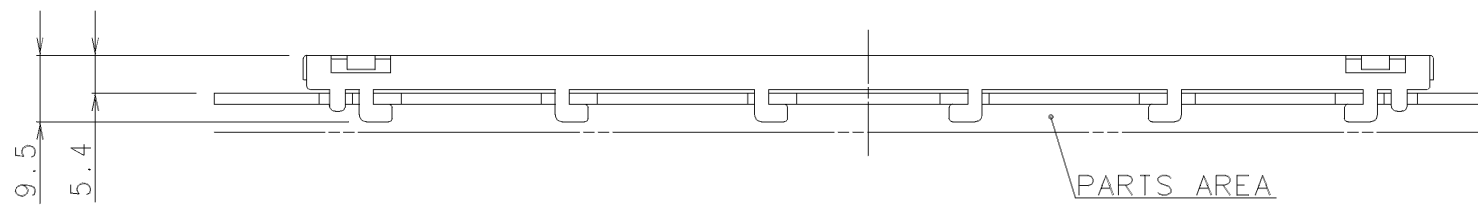
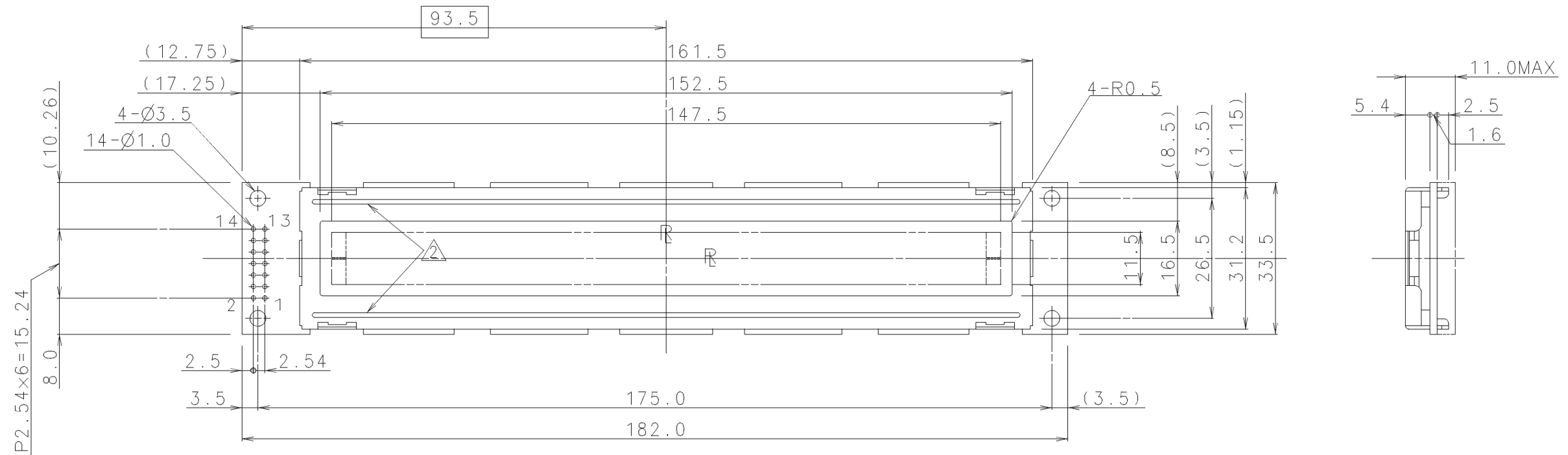




ISSUE	REVISIONS	DRAWN	APPROVED	DATE
1	図面名変更	K.Murakami	S.Kuwabara	NOV, 01'91
2	外觀変更 (MAX寸法なし)	S.Mizobuchi	S.Kuwabara	MAR, 04'92
3	全面変更	S.Mizobuchi	S.Kuwabara	APR, 11'94



DOT DETAIL SCALE 10/1

PIN ASSIGNMENT

PIN No.	SYMBOL	PIN No.	SYMBOL
1	VSS	8	DB1
2	VCC	9	DB2
3	VEE	10	DB3
4	RS	11	DB4
5	R/W	12	DB5
6	E	13	DB6
7	DB0	14	DB7

TOLERANCE			THIRD ANGLE PROJECTION	DATE APR, 14'94	OPTREX CORPORATION
MEASURE	A	B			
L ≤ 16	±0.1	±0.3	±1	UNIT mm	APPROVED S.Kuwabara
16 < L ≤ 63	±0.2	±0.5	±1.5	SCALE 1:1	CHECKED S.Matsuoka
63 < L ≤ 250	±0.3	±0.8	±2		DRAWN S.Mizobuchi
250 < L ≤ 500	±0.5	±1.2	±3		TITLE DIMENSIONAL OUTLINE
500 < L	±0.8	±2	±4		CODE DMC40218 Series Δ
ANGLE	±1°	±5°	±10°		DWG NO UE-33026