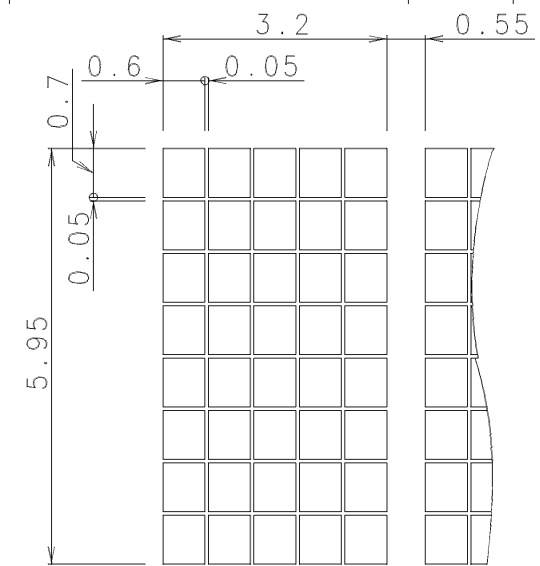
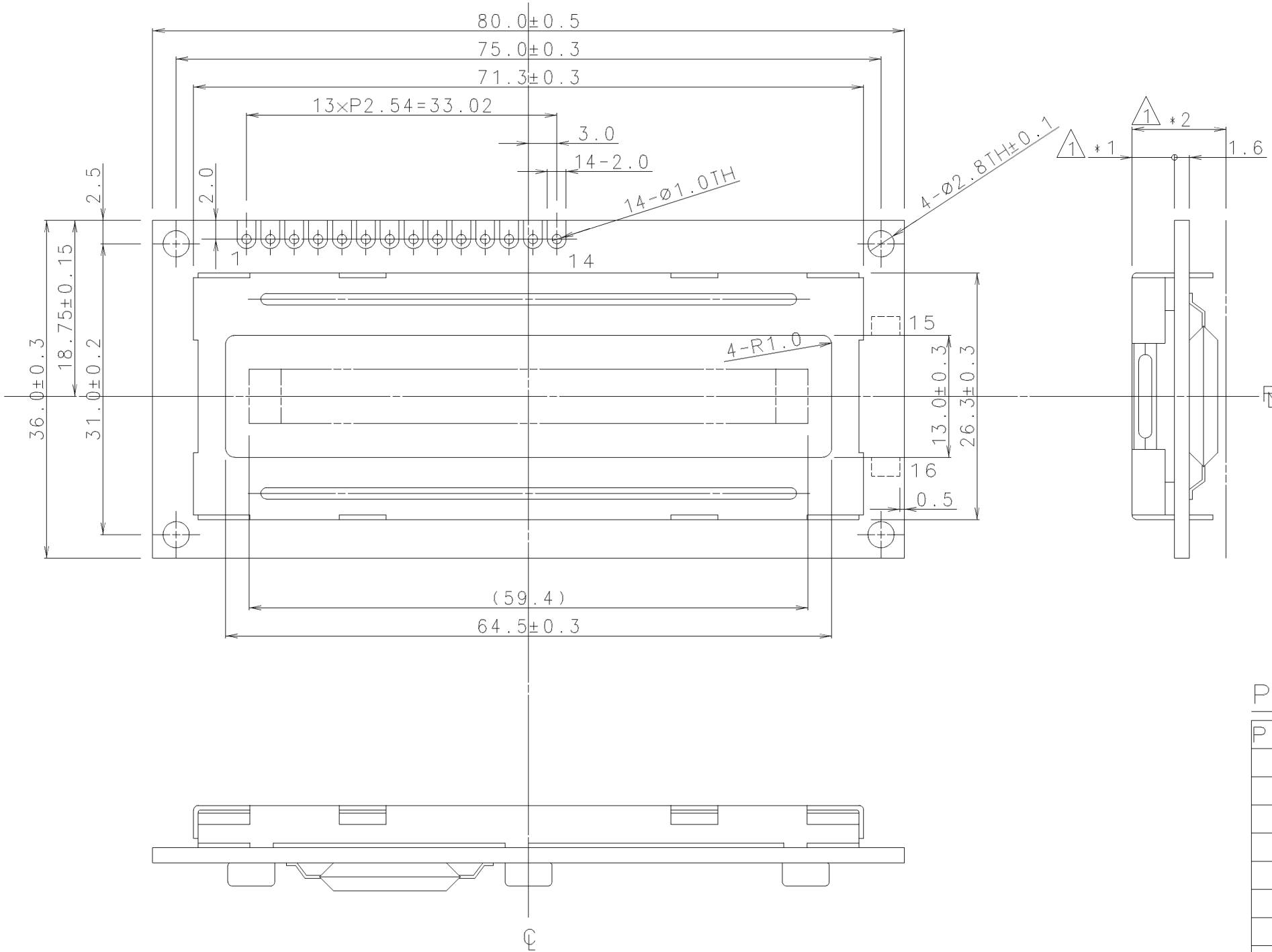




ISSUE	REVISIONS	DRAWN	APPROVED	DATE
△	EL TYPE ADDITION	T.Okamoto	M.lida	DEC.08.86



DOT DETAIL: SCALE 10/1

PIN ASSIGNMENT

PIN No.	SYMBOL	PIN No.	SYMBOL
1	VSS	9	DB2
2	VCC	10	DB3
3	VEE	11	DB4
4	RS	12	DB5
5	R/W	13	DB6
6	E	14	DB7
7	DB0	15	EL
8	DB1	16	EL



TYPE	POSITION	SIZE&TOLERANCE
Standerd	*1	4.5±0.3
	*2	10MAX
With EL	*1	4.8±0.3
	*2	10.3MAX

TOLERANCE			THIRD ANGLE PROJECTION	DATE FEB.01'99	OPTREX CORPORATION
MEASURE	A	B			
L≤16	±0.1	±0.3	±1	UNIT mm	APPROVED M.lida
16<L≤63	±0.2	±0.5	±1.5	SCALE 2:1	TITLE DIMENSIONAL OUTLINE
63<L≤250	±0.3	±0.8	±2		CHECKED T.Ohyama
250<L≤500	±0.5	±1.2	±3	DRAWN S.Matsuoka	DWG NO UE-31081A
500<L	±0.8	±2	±4		
ANGLE	±1°	±5°	±10°		