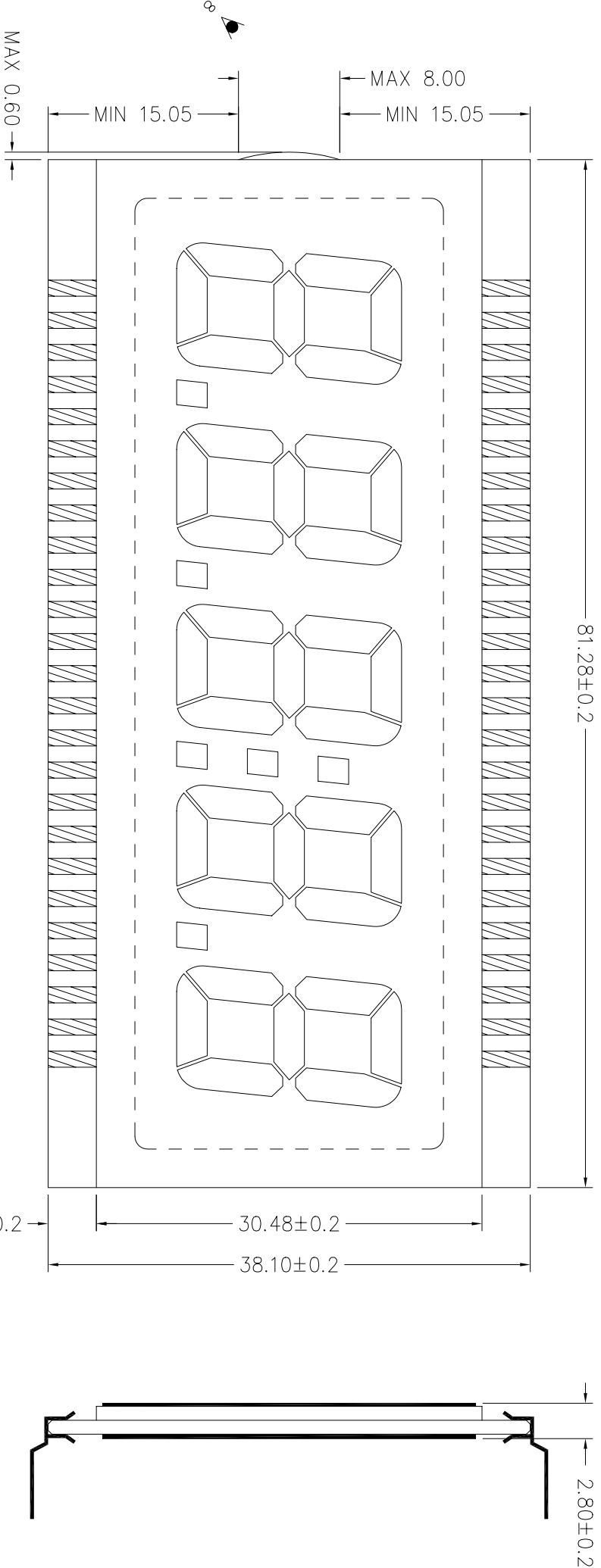


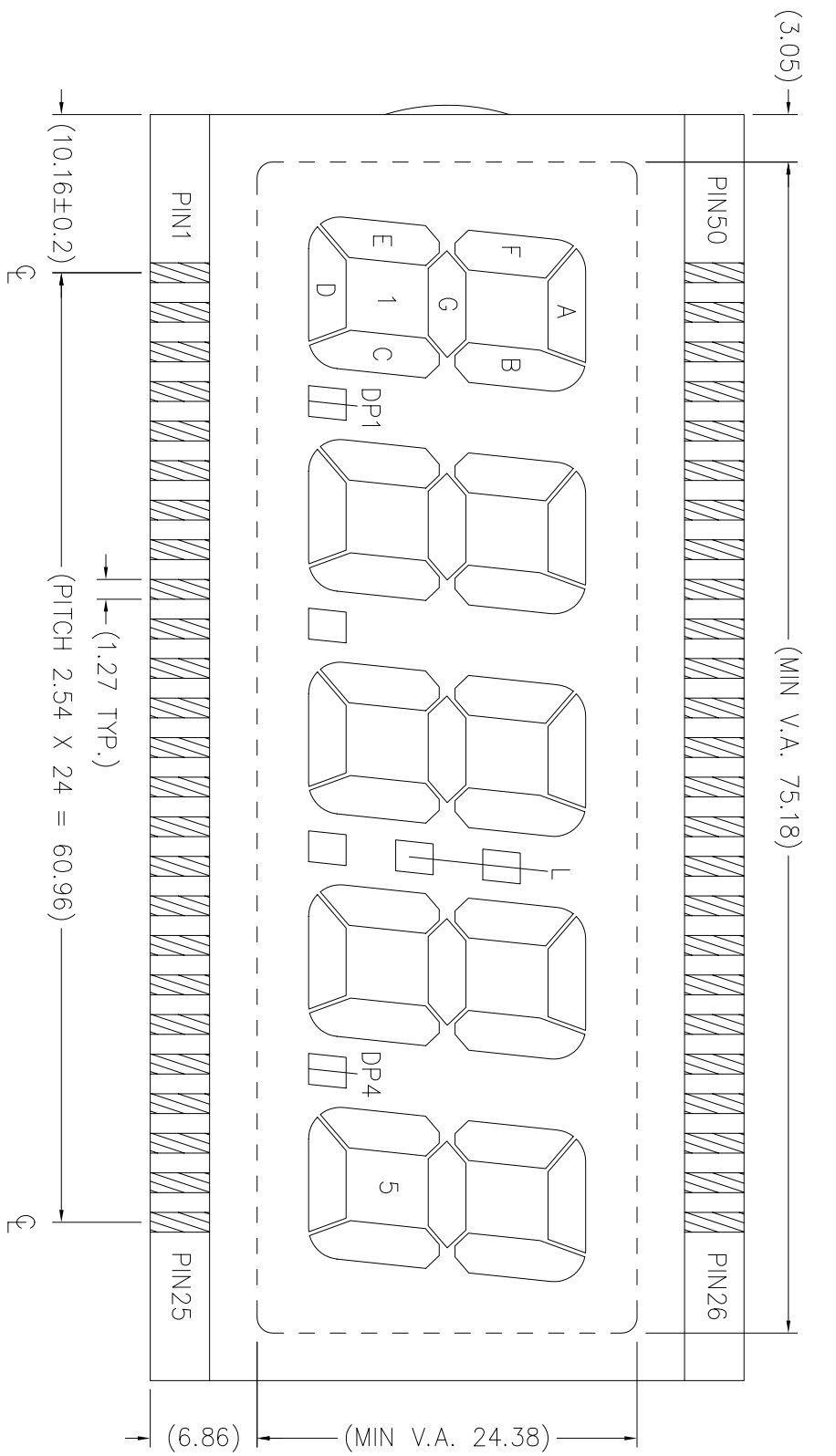
LAYOUT INSPECTION



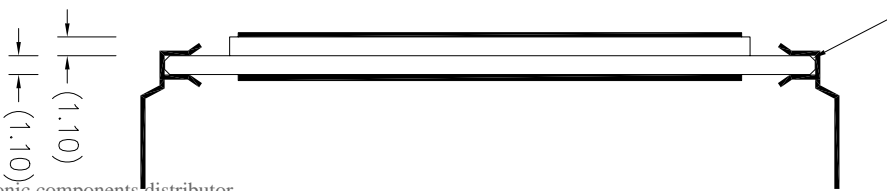
REMARKS: "◇" SPECIAL CHARACTERISTIC
 " + " SAFETY CHARACTERISTIC
 " () " REFERENCE ONLY

VARITRONIX LTD.		TOL : ±0.2 IF NOT SPECIFY		3 rd ANGLE PROJECTION	
DWG NO. : VI-503-DP	REV 0	Dimension : mm	SIGN :	DD NOT SCALE DRAWING	
		Drawn by : ZHP	SIGN :	Date : 2005-01-25	
		Checked by : YIN	SIGN :	Date :	

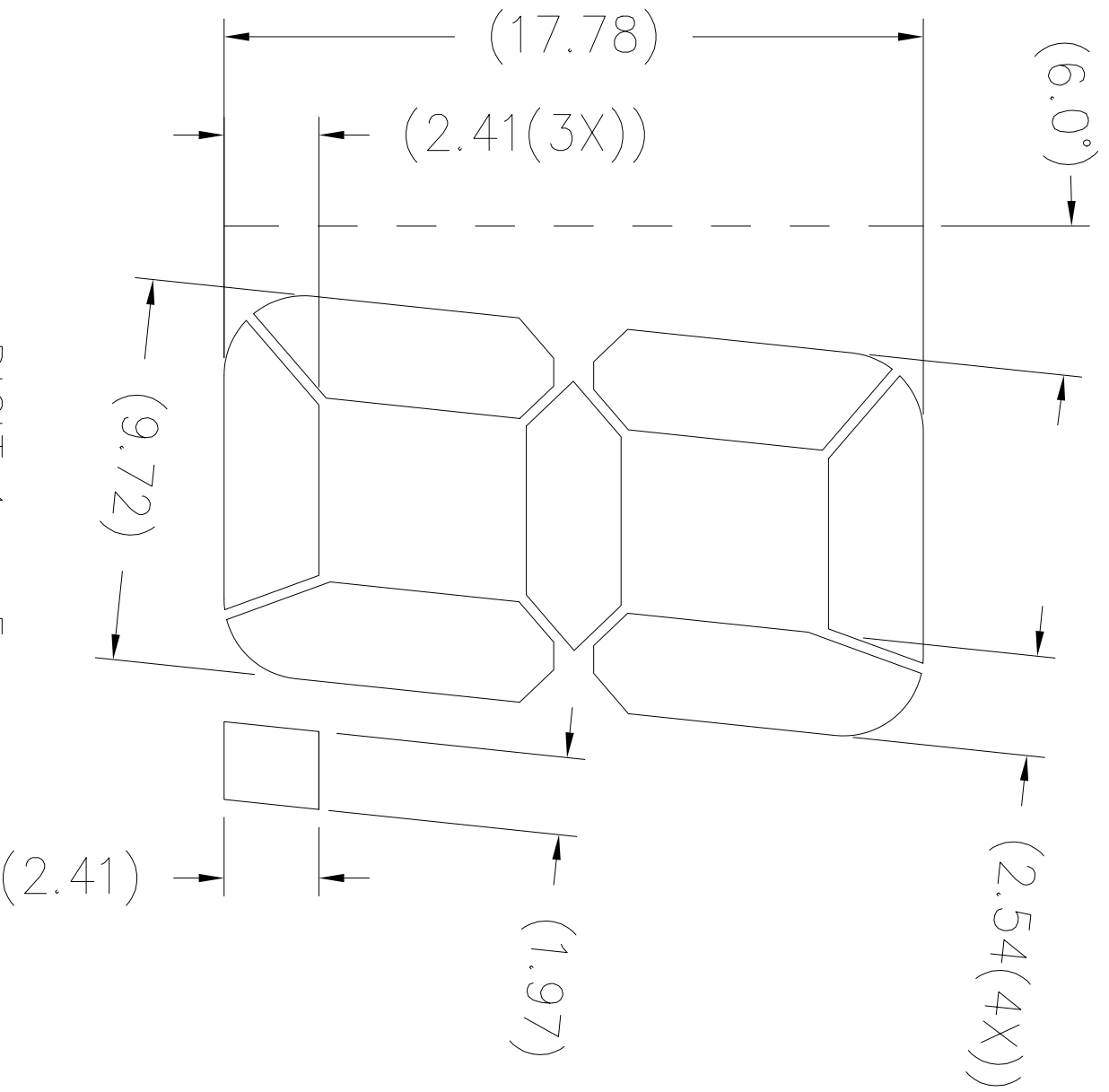
DWG.NO.: VI-503-DP (REV.0)



(BEVEL EDGE(4X))



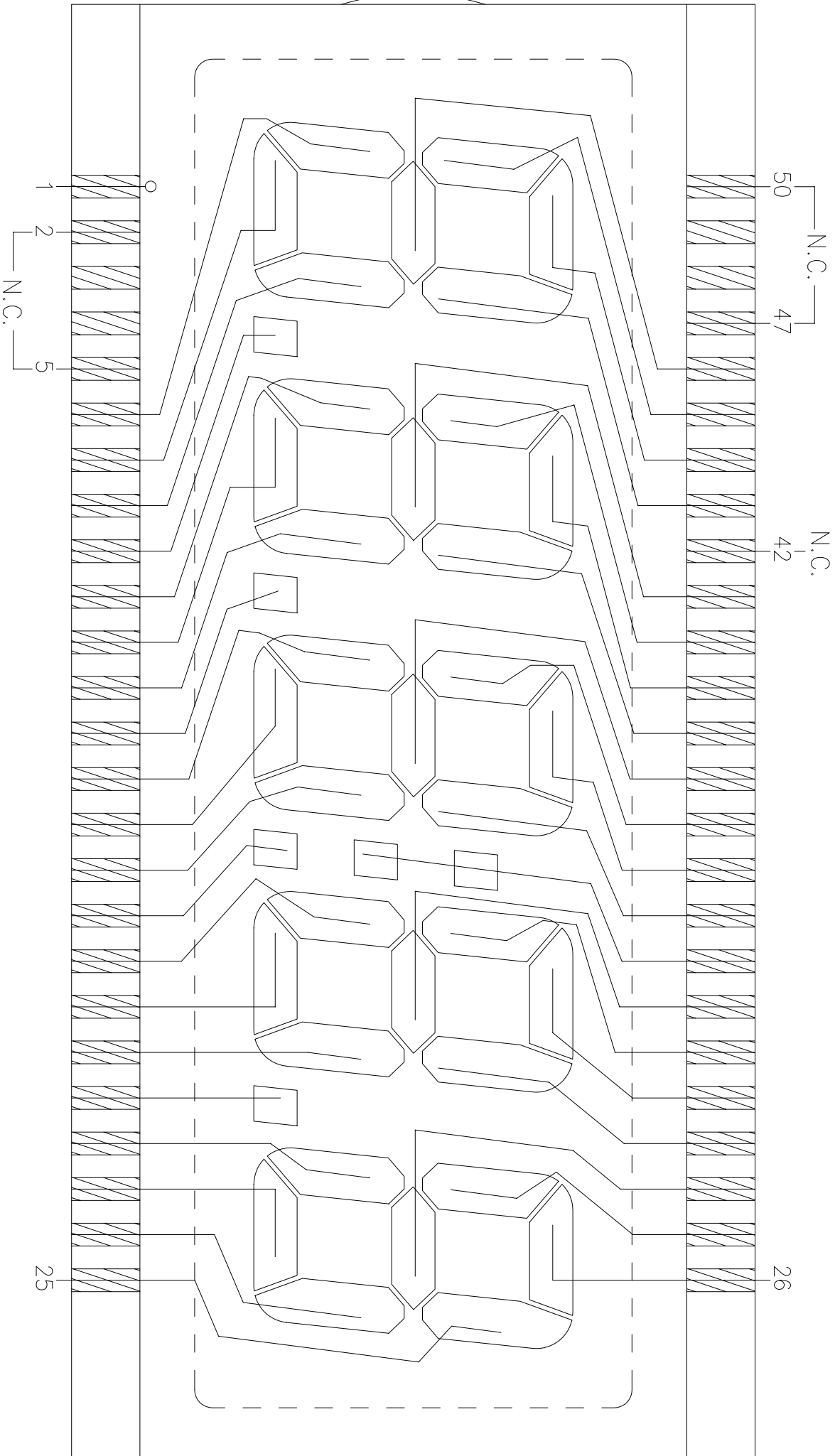
DWG.NO.: VI-503-DP (REV.0)



DIGIT 1 - 5

DWG.NO.: VI-503-DP (REV.0)

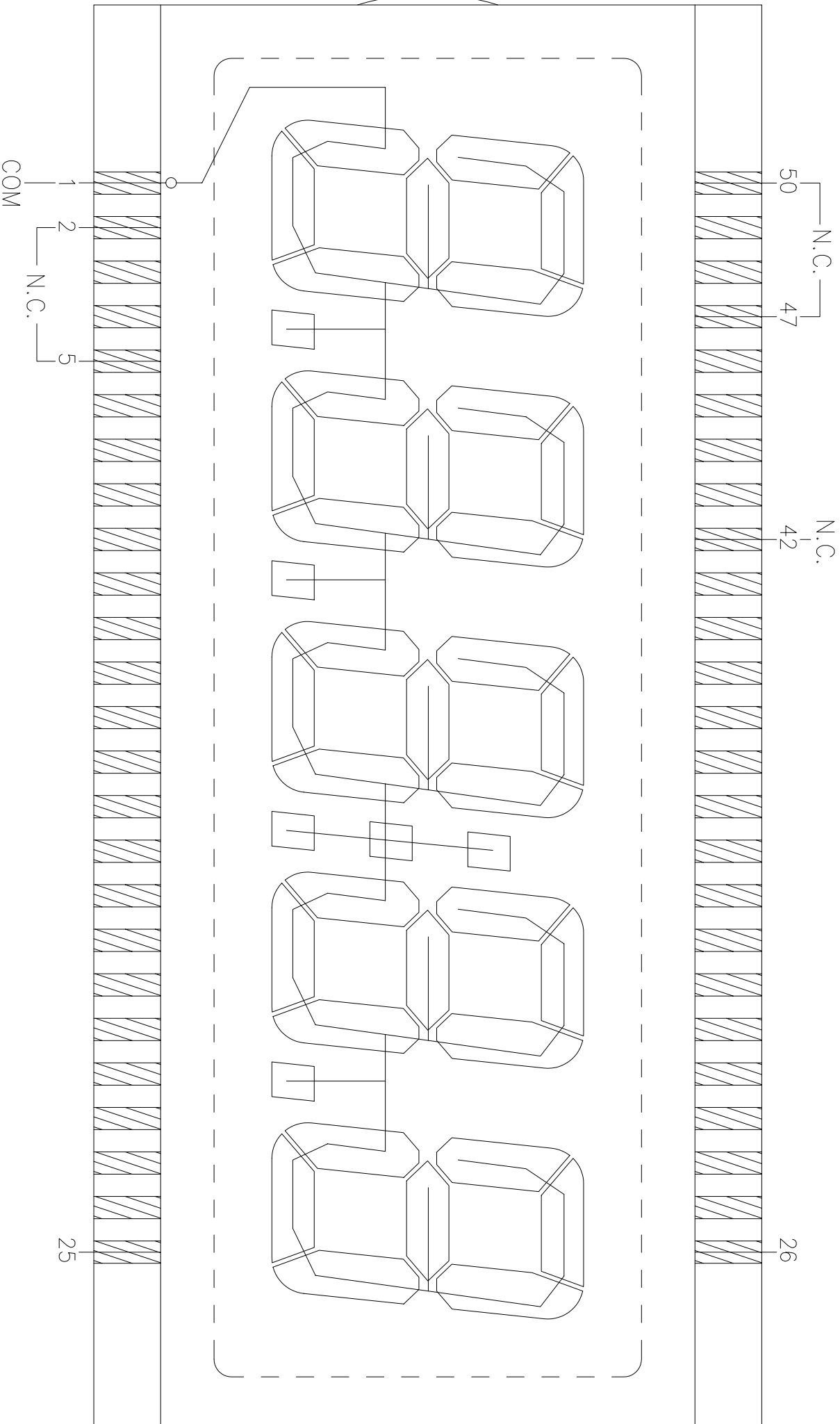
SEGMENT TRACKING



REMARKS : N.C. = NO CONNECTION

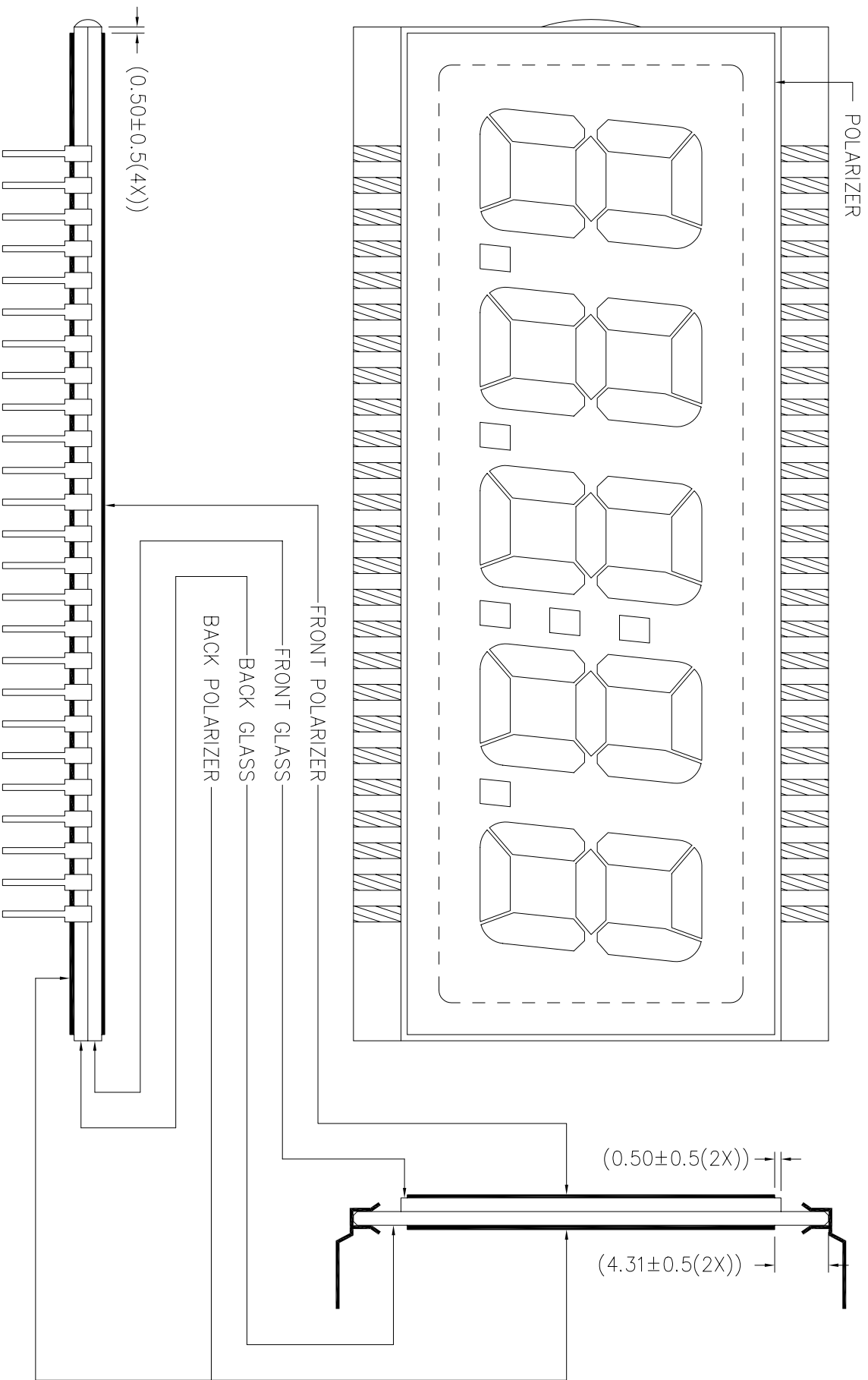
DWG.NO.: VI-503-DP (REV.0)

COMMON TRACKING

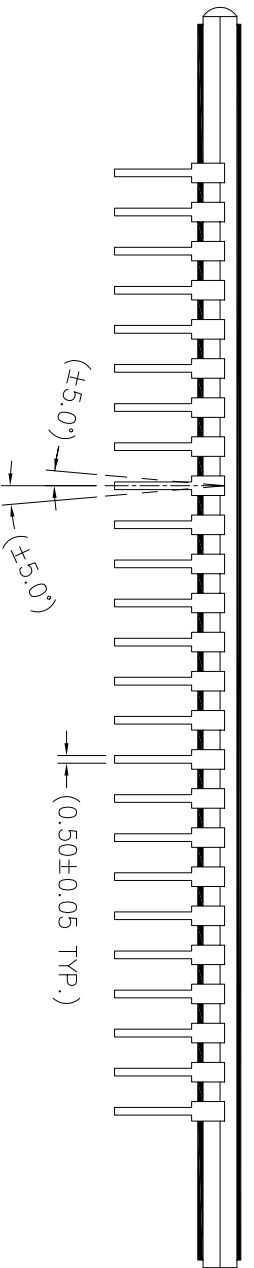
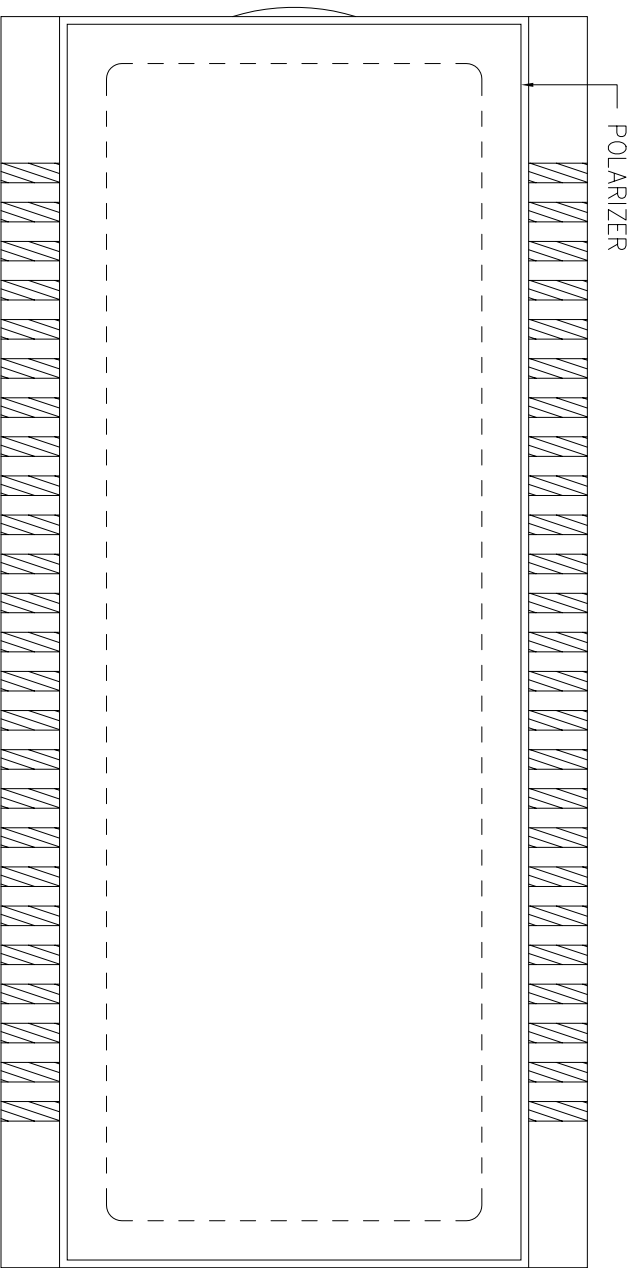


REMARKS : N.C. = NO CONNECTION

VARITRONIX LIMITED		OPEN LAYER :	SCALE
POLARIZER LOCATION DIAGRAM		P	Do not scale
DOC. NO. : PL-VI-503-DP-01		Drawn by : ZHP	Date : 2005-01-25
		Checked by : INA	Date : 2005-01-25
		Approval by :	Date : 2005-01-25

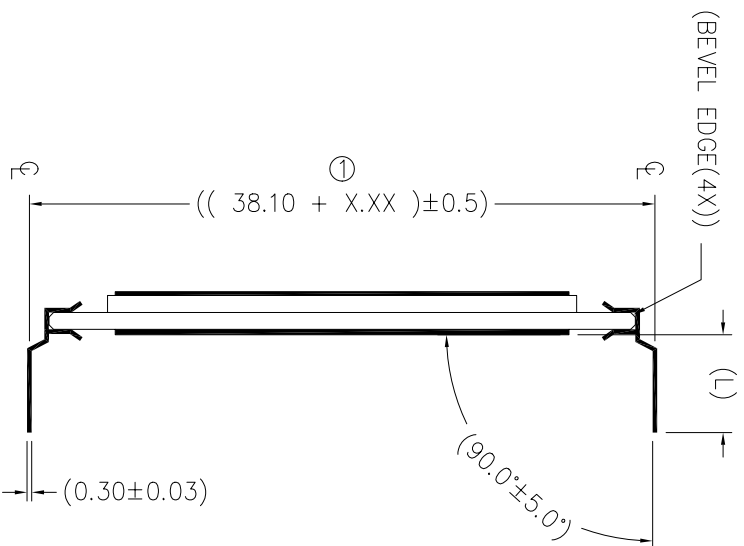


VARITRONIX LIMITED		OPEN LAYER :	SCALE
DIL-PIN DETAILS LOCATION DIAGRAM		DP-L0	Do not scale
DOC. NO. :	DP-VI-503-DP-01	Drawn by : ZHP	Date : 2005-01-25
		Checked by : INA	Date : 2005-01-25
ALL DIMENSIONS IN mm		Approval by :	Date : 2005-01-25



REMARKS: PIN LENGTH (L) REFER TO COVER PAGE

- ① ----- X.XX=2.54 (FOR PIN LENGTH ≥ 3.20 & ≤ 10.00 mm)
- X.XX=1.75 (FOR PIN LENGTH > 10.00 & ≤ 19.50 mm)



DWG.NO.: VI-503-DP (REV.0)

PIN	COM	PIN	COM
1	COM	26	5A
2	N.C.	27	5F
3	N.C.	28	5G
4	N.C.	29	4B
5	N.C.	30	4A
6	1E	31	4F
7	1D	32	4G
8	1C	33	L
9	DP1	34	3B
10	2E	35	3A
11	2D	36	3F
12	2C	37	3G
13	DP2	38	2B
14	3E	39	2A
15	3D	40	2F
16	3C	41	2G
17	DP3	42	N.C.
18	4E	43	1B
19	4D	44	1A
20	4C	45	1F
21	DP4	46	1G
22	5E	47	N.C.
23	5D	48	N.C.
24	5C	49	N.C.
25	5B	50	N.C.

REMARKS : N.C. = NO CONNECTION