

LAYOUT INSPECTION

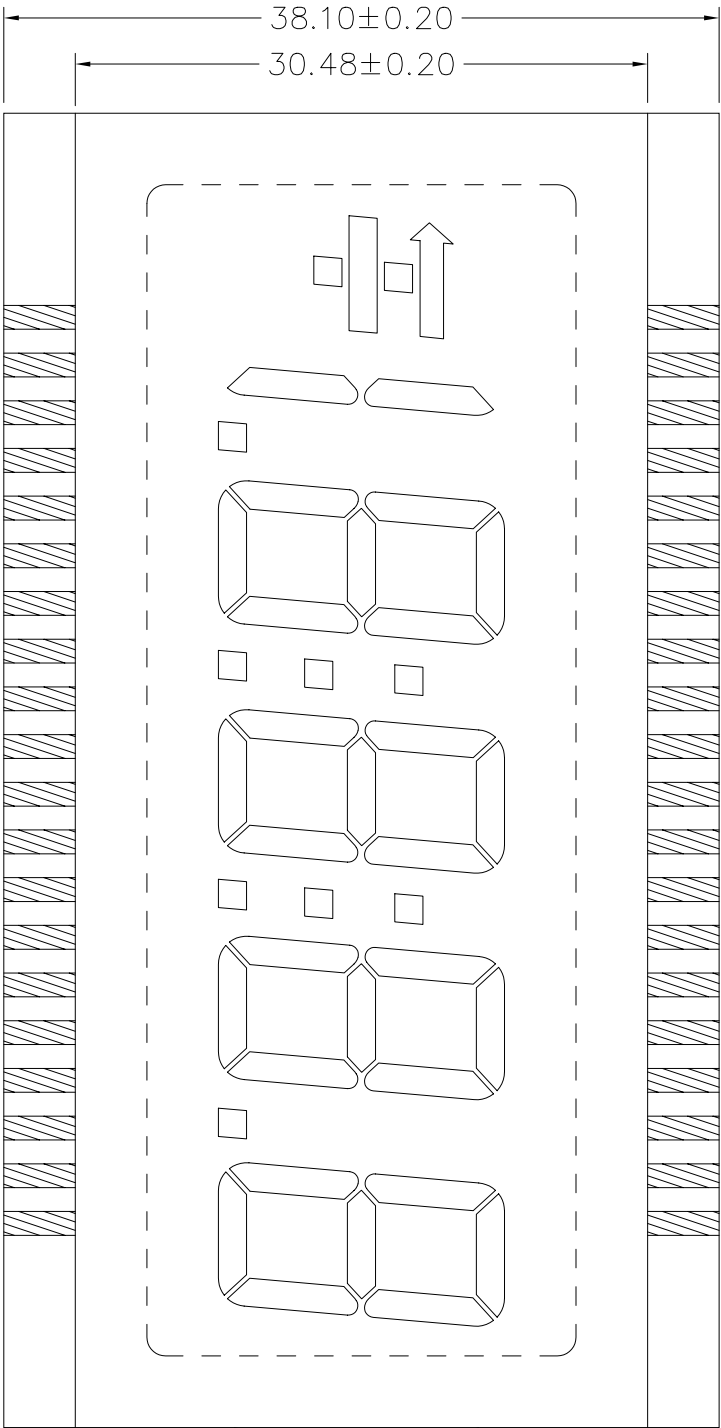
12

70.00±0.20

9

38.10±0.20

30.48±0.20



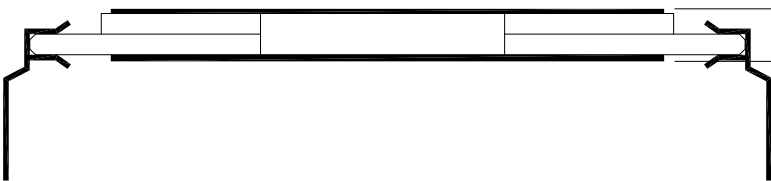
6

MAX 1.00

3

MIN 12.29 MAX 13.00 MIN 12.81

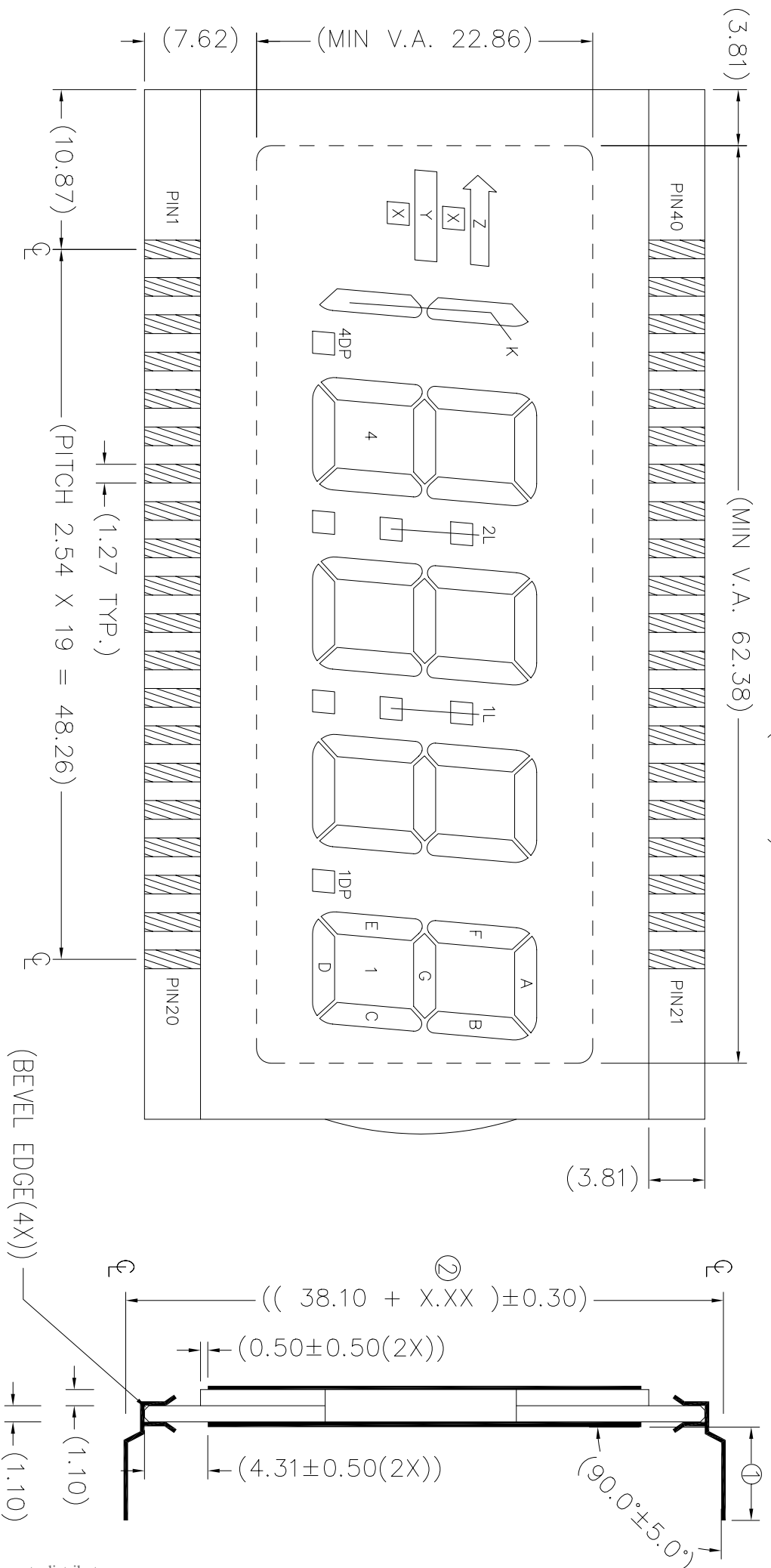
2.80±0.20



REMARKS : "◇" SPECIAL CHARACTERISTIC
 " + " SAFETY CHARACTERISTIC
 " () " REFERENCE ONLY
 "▽" CUSTOMER CRITICAL DIMENSION

VARITRONIX LTD.		TOL : ±0.15 IF NOT SPECIFY		DO NOT SCALE DRAWING		3rd ANGLE PROJECTION
Dimension : mm	REV	Drawn by : QING	SIGN :	Date : 2002-09-02		
DWG.ND : VI-511-10	0	Checked by : MAKD	SIGN :	Date :		

DWG.NO. : VI-511-1 (REV.0)

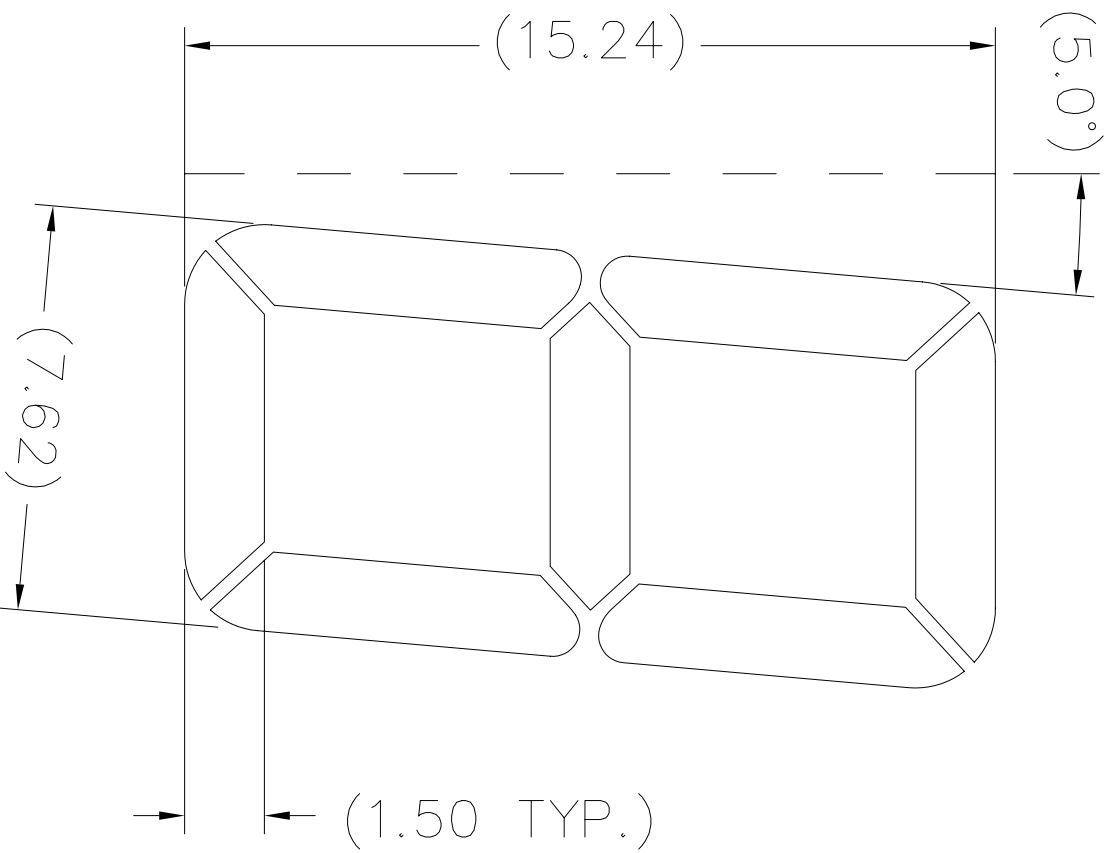


REMARKS: ① REFER TO COVER PAGE

② ----- X.XX=2.54 (FOR PIN LENGTH \geq 3.20 & \leq 10.00mm)

----- X.XX=1.75 (FOR PIN LENGTH $>$ 10.00 & \leq 19.50mm)

DWG.NO. : VI-511-1 (REV.0)



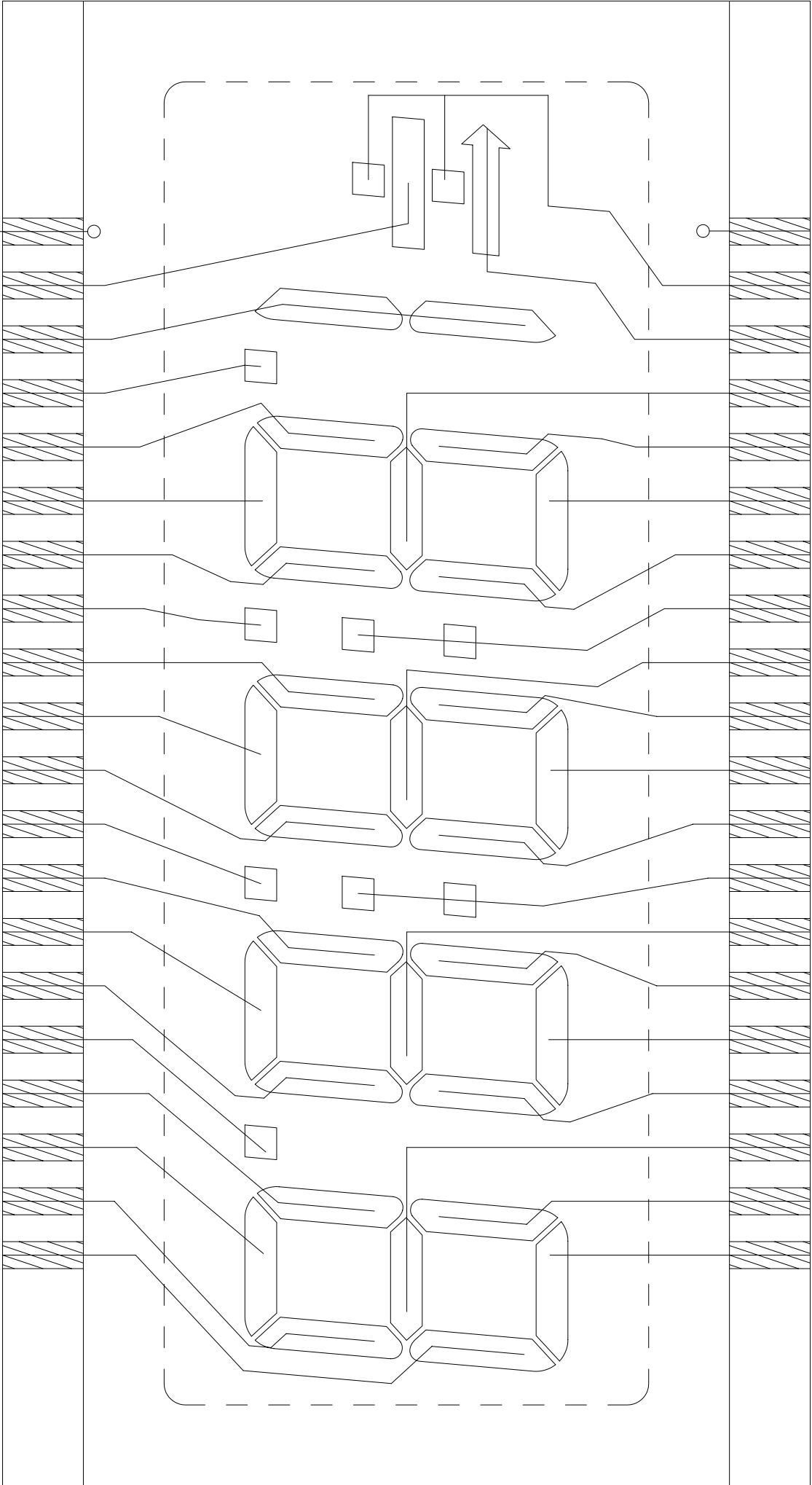
DIGIT 1 - 4

DWG.NO.: VI-511-1 (REV.0)

SEGMENT TRACKING

40

21



COM

20

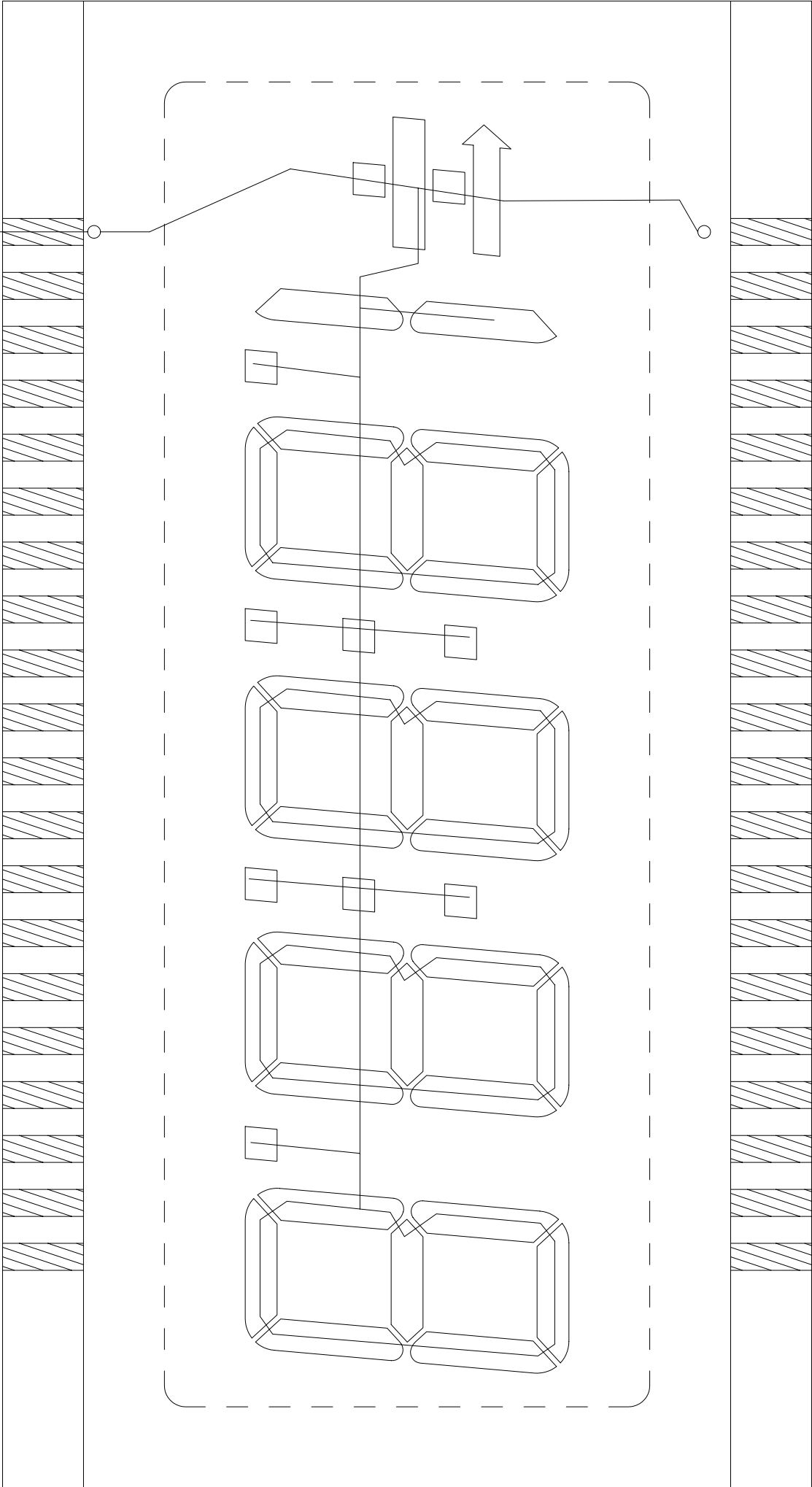
REMARK: N.C. = NO CONNECTION

DWG.NO.: VI-511-1 (REV.0)

COMMON TRACKING

40

21



1

20

COM
REMARK: N.C. = NO CONNECTION

VARITRONIX LIMITED

POLARIZER LOCATION DIAGRAM

OPEN LAYER :
P

SCALE
Do not scale

Drawn by : QING

Date : 2002-09-02

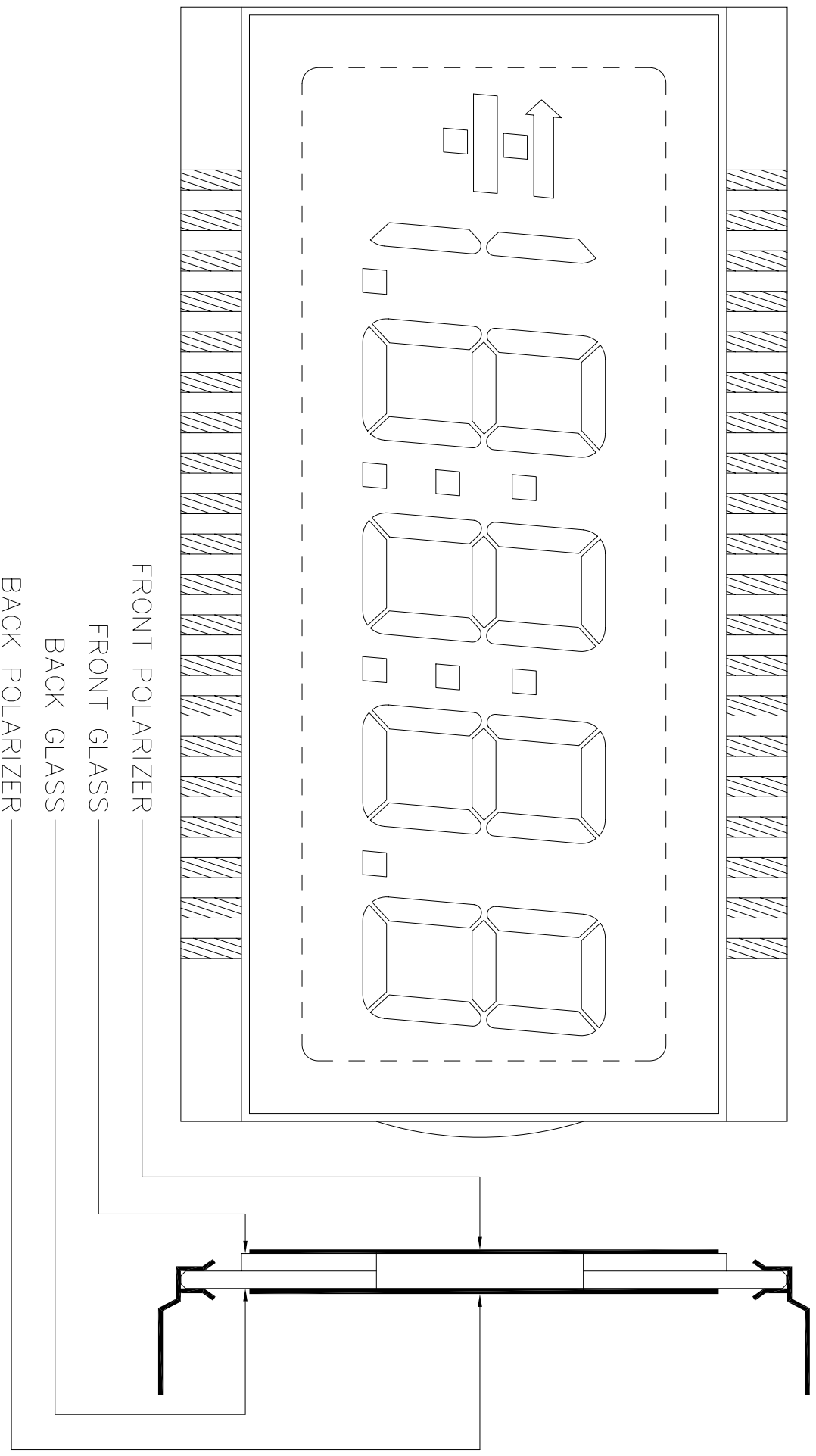
DOC. NO. : PL-VI-511-1-01

Checked by : INA

Date : 2002-09-02

Approval by :

Date : 2002-09-02



FRONT POLARIZER

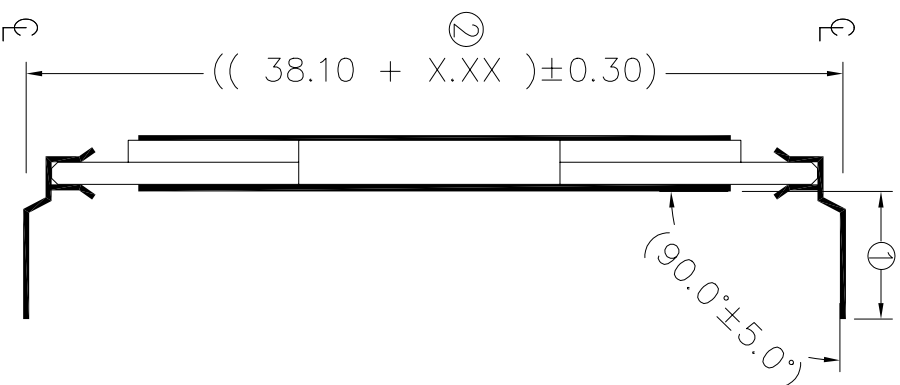
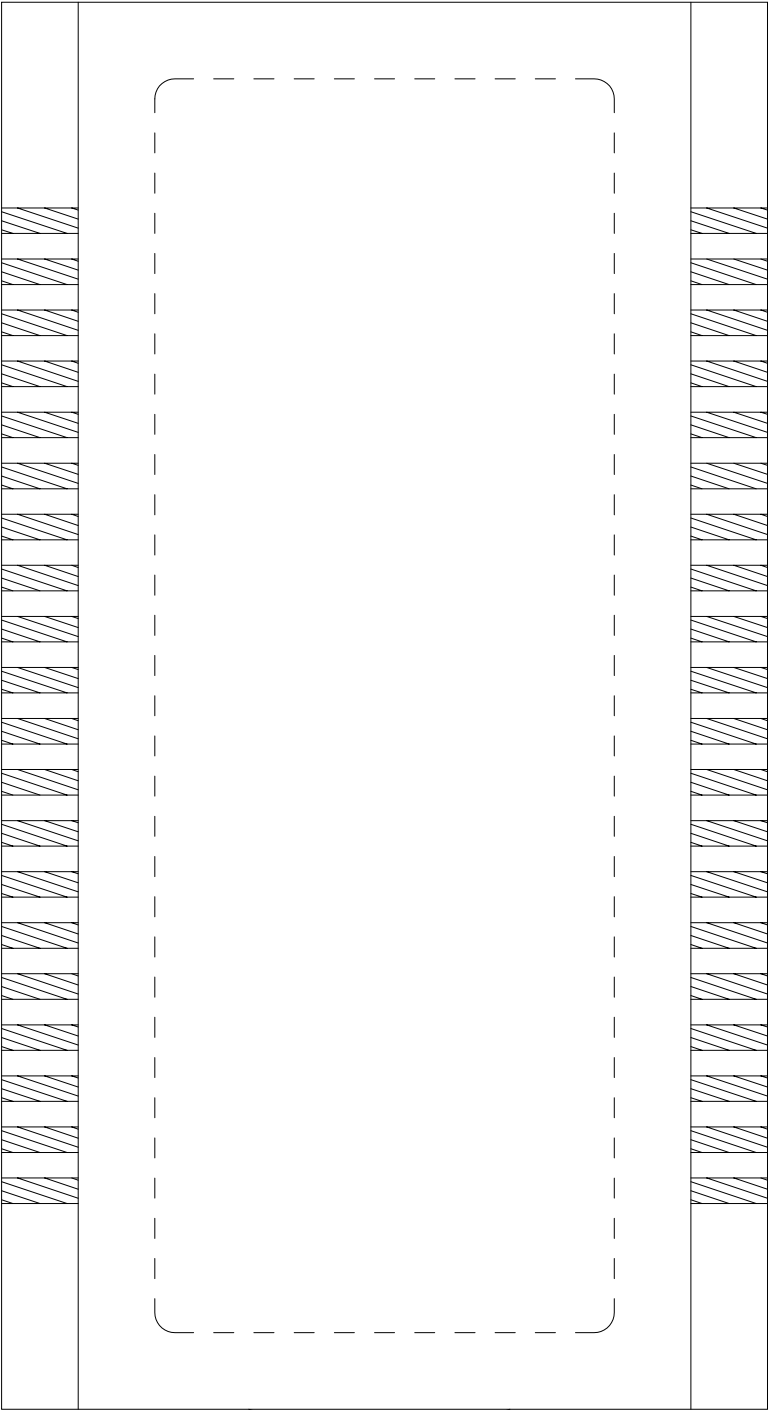
FRONT GLASS

BACK GLASS

BACK POLARIZER

DWG.NO. : VI-511-1 (REV.0)

VARITRONIX LIMITED		OPEN LAYER :	SCALE
DIL-PIN DETAILS LOCATION DIAGRAM		DP-L0	Do not scale
DOC. NO. : DP-VI-511-1-01	Drawn by : QNG	Date : 2002/09/02	
	Checked by : YIN	Date : 2002/09/03	
ALL DIMENSIONS IN mm	Approval by :	Date : 2002/09/03	



REMARKS: ① REFER TO COVER PAGE

② ----- X.XX=2.54 (FOR PIN LENGTH \geq 3.20 & \leq 10.00mm)

----- X.XX=1.75 (FOR PIN LENGTH $>$ 10.00 & \leq 19.50mm)

DWG.NO. : VI-511-1 (REV.0)

PIN	COM	PIN	COM
1	COM	21	1A
2	Y	22	1F
3	K	23	1G
4	4DP	24	2B
5	4E	25	2A
6	4D	26	2F
7	4C	27	2G
8	3DP	28	1L
9	3E	29	3B
10	3D	30	3A
11	3C	31	3F
12.	2DP	32	3G
13	2E	33	2L
14	2D	34	4B
15	2C	35	4A
16	1DP	36	4F
17	1E	37	4G
18	1D	38	Z
19	1C	39	X
20	1B	40	COM

REMARK : N.C. = NO CONNECTION