

NHD-0216SZ-NSW-BBW

Character Liquid Crystal Display Module

| | |
|-------|--------------------------------|
| NHD- | Newhaven Display |
| 0216- | 2 lines x 16 characters |
| SZ- | Model |
| N- | Transmissive |
| SW- | Side White LED Backlight |
| B- | STN- Blue (-) |
| B- | 6:00 view |
| W- | Wide Temperature (-20°C~+70°C) |
| | RoHS Compliant |

Newhaven Display International, Inc.

2511 Technology Drive, Suite 101

Elgin IL, 60124

Ph: 847-844-8795

Fax: 847-844-8796

www.newhavendisplay.com

nhtech@newhavendisplay.com

nhsales@newhavendisplay.com

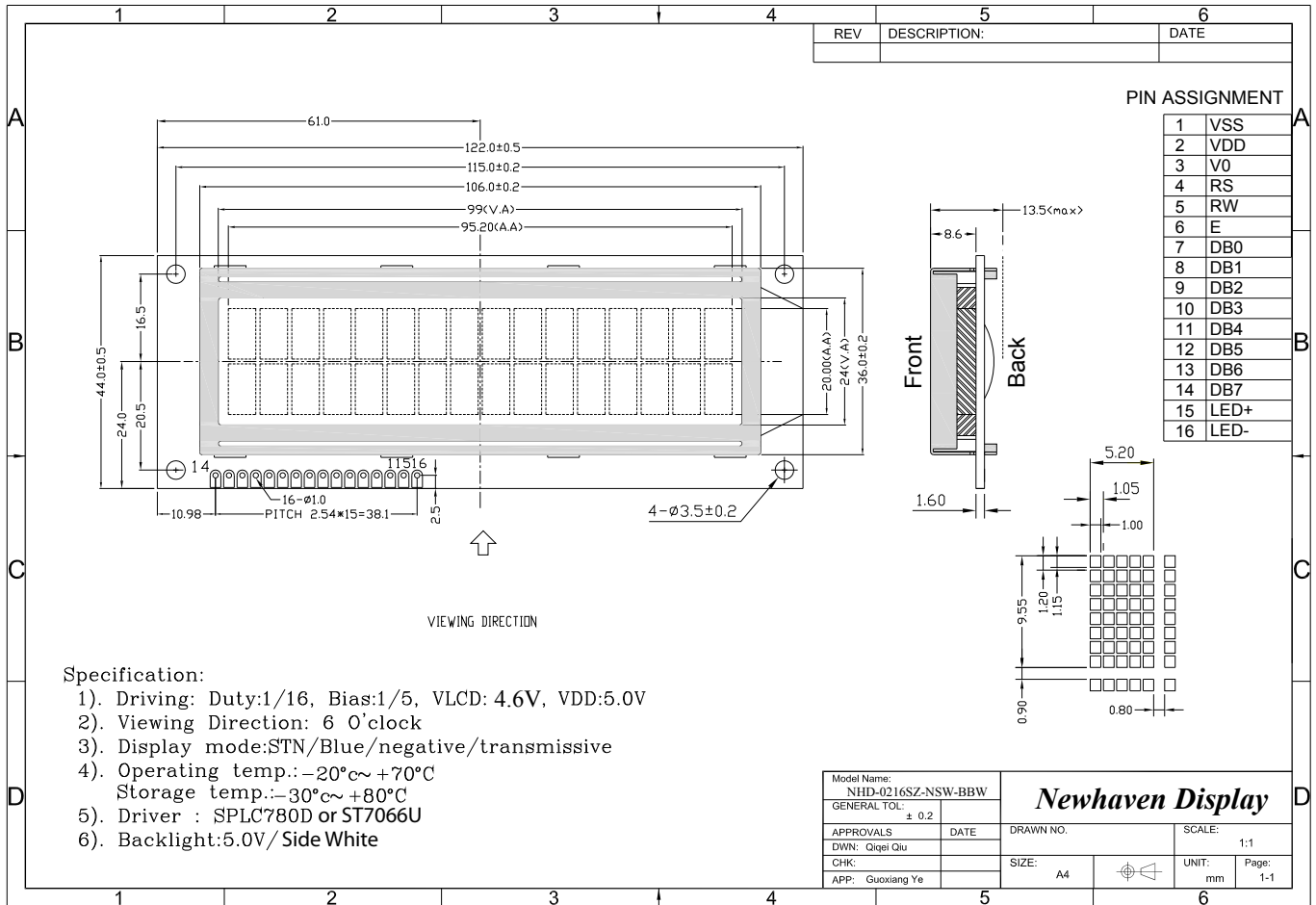
Document Revision History

| Revision | Date | Description | Changed by |
|----------|------------|--|------------|
| 0 | 6/13/2008 | Initial Release | - |
| 1 | 12/18/2009 | User Guide Reformat | BE |
| 2 | 1/7/2010 | Optical revised | BE |
| 3 | 2/12/2010 | Contrast revised | BE |
| 4 | 1/7/2011 | Alternate controller information updated | AK |

Functions and Features

- 2 lines x 16 characters
- Built-in controller (SPLC780D or ST7066U)
- +5.0V Power Supply
- 1/16 duty, 1/5 bias
- RoHS compliant

Mechanical Drawing



| REV | DESCRIPTION: | DATE |
|-----|--------------|------|
| | | |

PIN ASSIGNMENT

| | |
|----|------|
| 1 | VSS |
| 2 | VDD |
| 3 | V0 |
| 4 | RS |
| 5 | RW |
| 6 | E |
| 7 | DB0 |
| 8 | DB1 |
| 9 | DB2 |
| 10 | DB3 |
| 11 | DB4 |
| 12 | DB5 |
| 13 | DB6 |
| 14 | DB7 |
| 15 | LED+ |
| 16 | LED- |

Specification:

- 1). Driving: Duty:1/16, Bias:1/5, VLCD: 4.6V, VDD:5.0V
- 2). Viewing Direction: 6 O'clock
- 3). Display mode:STN/Blue/negative/transmissive
- 4). Operating temp.: -20°C~ +70°C
Storage temp.: -30°C~ +80°C
- 5). Driver : SPLC780D or ST7066U
- 6). Backlight:5.0V/Side White

| | | | |
|-----------------------------------|------|-------------------------|--------------------|
| Model Name: NHD-0216SZ-NSW-BBW | | Newhaven Display | |
| GENERAL TOL: ± 0.2 | | | |
| APPROVALS | DATE | DRAWN NO. | SCALE: 1:1 |
| DWN: Qiwei Qiu | | | |
| CHK: | | SIZE: A4 | UNIT: mm Page: 1-1 |
| APP: Guoxiang Ye | | | |

Pin Description and Wiring Diagram

| Pin No. | Symbol | External Connection | Function Description |
|---------|-----------|---------------------|---|
| 1 | VSS | Power Supply | Ground |
| 2 | VDD | Power Supply | Supply Voltage for logic (+5.0V) |
| 3 | VO | Adj Power Supply | Power supply for contrast (approx. 0.4V) |
| 4 | RS | MPU | Register select signal. RS=0: Command, RS=1: Data |
| 5 | R/W | MPU | Read/Write select signal, R/W=1: Read R/W=0: Write |
| 6 | E | MPU | Operation enable signal. Falling edge triggered. |
| 7-10 | DB0 – DB3 | MPU | Four low order bi-directional three-state data bus lines. These four are not used during 4-bit operation. |
| 11-14 | DB4 – DB7 | MPU | Four high order bi-directional three-state data bus lines. |
| 15 | LED+ | Power Supply | Power supply for LED Backlight (+5.0V via on-board resistor) |
| 16 | LED- | Power Supply | Ground for Backlight |

Recommended LCD connector: 2.54mm pitch pins

Backlight connector: --- **Mates with:** ---



Electrical Characteristics

| Item | Symbol | Condition | Min. | Typ. | Max. | Unit |
|-----------------------------|--------|-------------------|------|------|------|------|
| Operating Temperature Range | Top | Absolute Max | -20 | - | +70 | °C |
| Storage Temperature Range | Tst | Absolute Max | -30 | - | +80 | °C |
| Supply Voltage | VDD | | 4.7 | 5.0 | 5.5 | V |
| Supply Current | IDD | Ta=25°C, VDD=5.0V | - | 1.5 | 2.5 | mA |
| Supply for LCD (contrast) | VDD-V0 | Ta=25°C | - | 4.6 | - | V |
| "H" Level input | Vih | | 2.2 | - | VDD | V |
| "L" Level input | Vil | | 0 | - | 0.6 | V |
| "H" Level output | Voh | | 2.4 | - | - | V |
| "L" Level output | Vol | | - | - | 0.4 | V |
| Backlight Supply Voltage | Vled | - | - | 5.0 | - | V |
| Backlight Supply Current | Iled | Vled=5.0V | - | 25 | 30 | mA |

Optical Characteristics

| Item | Symbol | Condition | Min. | Typ. | Max. | Unit |
|------------------------------------|--------|-----------|------|------|------|------|
| Viewing Angle – Vertical (top) | AV | Cr ≥ 2 | - | 25 | - | ° |
| Viewing Angle – Vertical (bottom) | AV | Cr ≥ 2 | - | 70 | - | ° |
| Viewing Angle – Horizontal (left) | AH | Cr ≥ 2 | - | 30 | - | ° |
| Viewing Angle – Horizontal (right) | AH | Cr ≥ 2 | - | 30 | - | ° |
| Contrast Ratio | Cr | | - | 2 | - | - |
| Response Time (rise) | Tr | - | - | 120 | 150 | ms |
| Response Time (fall) | Tf | - | - | 120 | 150 | ms |

Controller Information

Built-in SPLC780D. Download specification at http://www.newhavendisplay.com/app_notes/SPLC780D.pdf

Built-in ST7066U. Download specification at http://www.newhavendisplay.com/app_notes/ST7066U.pdf

Display character address code:

| | | | | | | | | | | | | | | | |
|----|----|----|----|----|----|----|----|----|----|----|----|----|----|----|----|
| 1 | 2 | 3 | 4 | 5 | 6 | 7 | 8 | 9 | 10 | 11 | 12 | 13 | 14 | 15 | 16 |
| 00 | 01 | 02 | 03 | 04 | 05 | 06 | 07 | 08 | 09 | 0A | 0B | 0C | 0D | 0E | 0F |
| 40 | 41 | 42 | 43 | 44 | 45 | 46 | 47 | 48 | 49 | 4A | 4B | 4C | 4D | 4E | 4F |

Built-in Font Table

| Lower 4 Bits \ Upper 4 Bits | 0000 | 0001 | 0010 | 0011 | 0100 | 0101 | 0110 | 0111 | 1000 | 1001 | 1010 | 1011 | 1100 | 1101 | 1110 | 1111 |
|-----------------------------|------------|------|------|------|------|------|------|------|------|------|------|------|------|------|------|------|
| xxxx0000 | CG RAM (1) | | | 0 | a | P | ` | P | | | | - | 夕 | 三 | α | P |
| xxxx0001 | (2) | | ! | 1 | A | Q | a | q | | | 。 | ア | チ | △ | ä | q |
| xxxx0010 | (3) | | " | 2 | B | R | b | r | | | 「 | イ | ツ | × | ß | θ |
| xxxx0011 | (4) | | # | 3 | C | S | c | s | | | 」 | ウ | テ | モ | ε | ε |
| xxxx0100 | (5) | | \$ | 4 | D | T | d | t | | | 、 | エ | ト | ト | μ | Ω |
| xxxx0101 | (6) | | % | 5 | E | U | e | u | | | ・ | オ | ナ | 1 | ø | ü |
| xxxx0110 | (7) | | & | 6 | F | V | f | v | | | ヲ | カ | ニ | ヨ | ρ | Σ |
| xxxx0111 | (8) | | ' | 7 | G | W | g | w | | | フ | キ | ヌ | ラ | g | π |
| xxxx1000 | (1) | | (| 8 | H | X | h | x | | | イ | ク | ネ | リ | γ | Σ |
| xxxx1001 | (2) | |) | 9 | I | Y | i | y | | | ウ | ケ | ル | ル | ˆ | γ |
| xxxx1010 | (3) | | * | : | J | Z | j | z | | | エ | コ | ハ | レ | j | κ |
| xxxx1011 | (4) | | + | ; | K | [| k | [| | | オ | サ | ヒ | ロ | * | κ |
| xxxx1100 | (5) | | , | < | L | ¥ | l | l | | | カ | シ | フ | ワ | φ | κ |
| xxxx1101 | (6) | | - | = | M |] | m |) | | | ユ | ス | ハ | ン | ε | ÷ |
| xxxx1110 | (7) | | . | > | N | ^ | n | → | | | ヨ | セ | ホ | ° | κ | |
| xxxx1111 | (8) | | / | ? | O | _ | o | € | | | ッ | リ | マ | ° | ö | ■ |

Example Initialization Program

```
8-bit Initialization:
/*****/
void command(char i)
{
    P1 = i;                //put data on output Port
    D_I =0;               //D/I=LOW : send instruction
    R_W =0;               //R/W=LOW : Write
    E = 1;
    Delay(1);             //enable pulse width >= 300ns
    E = 0;                //Clock enable: falling edge
}
/*****/
void write(char i)
{
    P1 = i;                //put data on output Port
    D_I =1;               //D/I=LOW : send data
    R_W =0;               //R/W=LOW : Write
    E = 1;
    Delay(1);             //enable pulse width >= 300ns
    E = 0;                //Clock enable: falling edge
}
/*****/
void init()
{
    E = 0;
    Delay(100);           //Wait >15 msec after power is applied
    command(0x30);        //command 0x30 = Wake up
    Delay(30);            //must wait 5ms, busy flag not available
    command(0x30);        //command 0x30 = Wake up #2
    Delay(10);            //must wait 160us, busy flag not available
    command(0x30);        //command 0x30 = Wake up #3
    Delay(10);            //must wait 160us, busy flag not available
    command(0x38);        //Function set: 8-bit/2-line
    command(0x10);        //Set cursor
    command(0x0c);        //Display ON; Cursor ON
    command(0x06);        //Entry mode set
}
/*****/
```

```

4-bit Initialization:
/*****/
void command(char i)
{
    P1 = i;                //put data on output Port
    D_I =0;                //D/I=LOW : send instruction
    R_W =0;                //R/W=LOW : Write
    Nybble();              //Send lower 4 bits
    i = i<<4;              //Shift over by 4 bits
    P1 = i;                //put data on output Port
    Nybble();              //Send upper 4 bits
}
/*****/
void write(char i)
{
    P1 = i;                //put data on output Port
    D_I =1;                //D/I=HIGH : send data
    R_W =0;                //R/W=LOW : Write
    Nybble();              //Clock lower 4 bits
    i = i<<4;              //Shift over by 4 bits
    P1 = i;                //put data on output Port
    Nybble();              //Clock upper 4 bits
}
/*****/
void Nybble()
{
    E = 1;
    Delay(1);              //enable pulse width >= 300ns
    E = 0;                 //Clock enable: falling edge
}
/*****/
void init()
{
    P1 = 0;
    P3 = 0;
    Delay(100);            //Wait >15 msec after power is applied
    P1 = 0x30;             //put 0x30 on the output port
    Delay(30);             //must wait 5ms, busy flag not available
    Nybble();              //command 0x30 = Wake up
    Delay(10);             //must wait 160us, busy flag not available
    Nybble();              //command 0x30 = Wake up #2
    Delay(10);             //must wait 160us, busy flag not available
    Nybble();              //command 0x30 = Wake up #3
    Delay(10);             //can check busy flag now instead of delay
    P1= 0x20;              //put 0x20 on the output port
    Nybble();              //Function set: 4-bit interface
    command(0x28);         //Function set: 4-bit/2-line
    command(0x10);         //Set cursor
    command(0x0F);         //Display ON; Blinking cursor
    command(0x06);         //Entry Mode set
}
/*****/

```


Quality Information

| Test Item | Content of Test | Test Condition | Note |
|---------------------------------------|---|---|------|
| High Temperature storage | Endurance test applying the high storage temperature for a long time. | +80°C , 48hrs | 2 |
| Low Temperature storage | Endurance test applying the low storage temperature for a long time. | -30°C , 48hrs | 1,2 |
| High Temperature Operation | Endurance test applying the electric stress (voltage & current) and the high thermal stress for a long time. | +70°C 48hrs | 2 |
| Low Temperature Operation | Endurance test applying the electric stress (voltage & current) and the low thermal stress for a long time. | -20°C , 48hrs | 1,2 |
| High Temperature / Humidity Operation | Endurance test applying the electric stress (voltage & current) and the high thermal with high humidity stress for a long time. | +40°C , 90% RH , 48hrs | 1,2 |
| Thermal Shock resistance | Endurance test applying the electric stress (voltage & current) during a cycle of low and high thermal stress. | 0°C,30min -> 25°C,5min -> 50°C,30min = 1 cycle 10 cycles | |
| Vibration test | Endurance test applying vibration to simulate transportation and use. | 10-55Hz , 15mm amplitude. 60 sec in each of 3 directions X,Y,Z For 15 minutes | 3 |
| Static electricity test | Endurance test applying electric static discharge. | VS=800V, RS=1.5kΩ, CS=100pF One time | |

Note 1: No condensation to be observed.

Note 2: Conducted after 4 hours of storage at 25°C, 0%RH.

Note 3: Test performed on product itself, not inside a container.

Precautions for using LCDs/LCMs

See Precautions at www.newhavendisplay.com/specs/precautions.pdf

Warranty Information and Terms & Conditions

http://www.newhavendisplay.com/index.php?main_page=terms