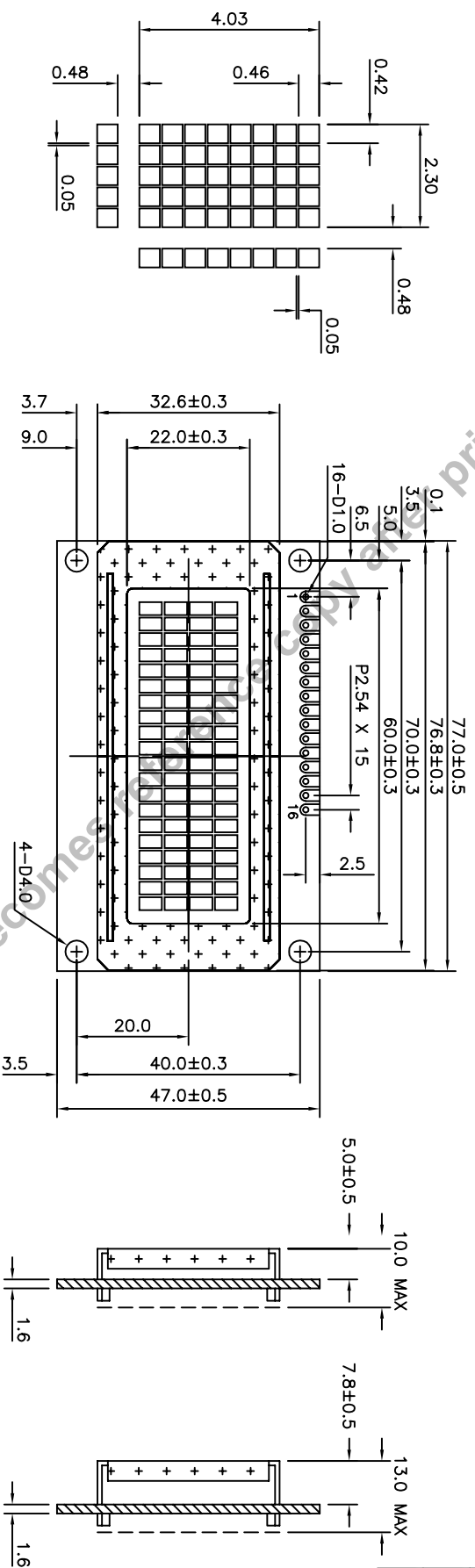
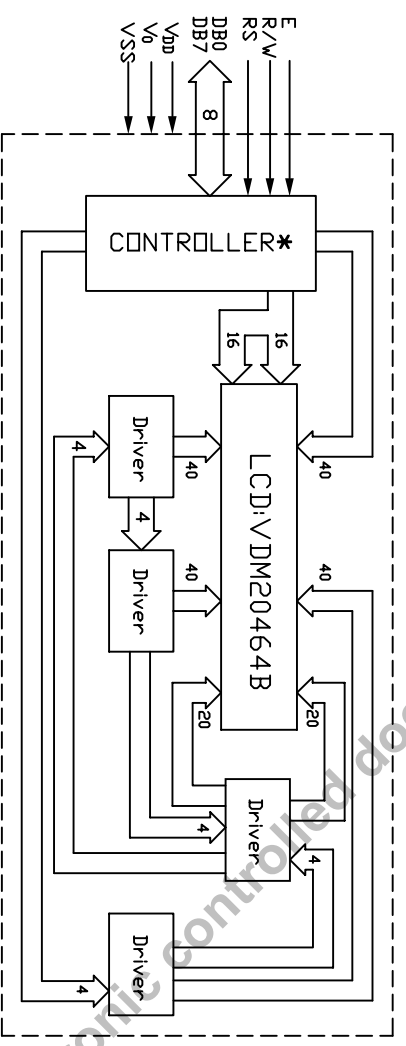


ISSUE	AMENDMENT	DATE



14 PIN CONNECTION	1	2	3	4	5	6	7	8	9	10	11	12	13	14	A	K
16 PIN CONNECTION	1	2	3	4	5	6	7	8	9	10	11	12	13	14	15	16
	VSS	VDD	V0	RS	R/W	E	DB0	DB1	DB2	DB3	DB4	DB5	DB6	DB7	LED(+)	LED(-)

- NOTES:
- ◇ : SPECIAL CHARACTERISTICS
 - + : SAFETY CHARACTERISTICS
 - (....) : FOR REFERENCE ONLY
 - ▽ : CRITICAL DIMENSIONS



* HD44780 OR EQUIVALENT

TITLE: SPECIFICATION OF MODULE

PROJECT NO: MDLS20464B

TOLENCE UNLESS OTHERWISE SPECIFIED:
X.X ±0.3
X.XX ±0.1

DIMENSIONS IN MM
MATERIAL: FINISH:
SCALE: DO NOT ON SCALE THICKNESS:

THIRD ANGLE PROJECTION

DRAWN	NAME	SIGN	DATE
CHECKED	LUO XIAN GANG		02.12.31
APPROVED	HE JIAN WEN		
	DERRICK TAM		

ITEM NO. MDLS20464B-XX

DESCRIPTION: MDLS20464B

FILE NO: MDLS20464BD-XX R0.DWG | REV 0

