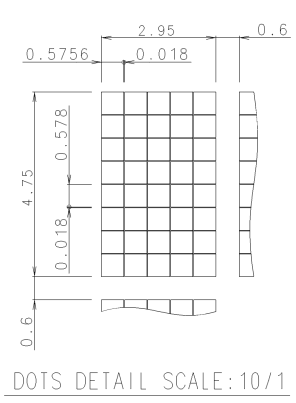
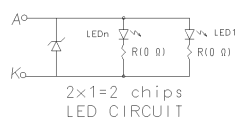
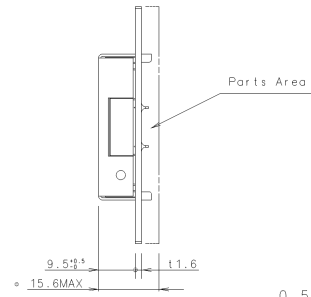
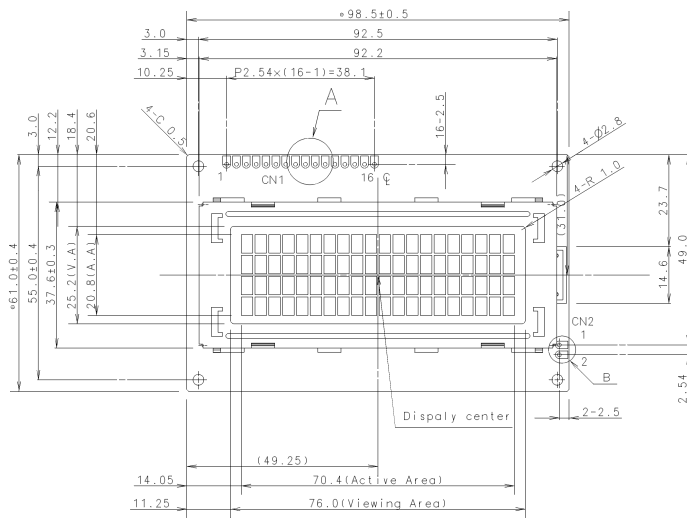
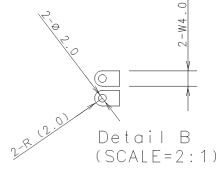
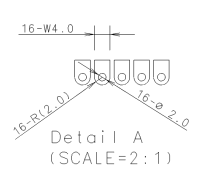


ISSUE	REVISIONS	DRAWN	APPROVED	DATE



PIN Assignment (CN1)	
No.	SYMBOL
1	VSS
2	VCC
3	VEE
4	RS
5	R/W
6	E
7	DB0
8	DB1
9	DB2
10	DB3
11	DB4
12	DB5
13	DB6
14	DB7
15	LED: ANODE
16	LED: CATHODE

PIN Assignment (CN2)	
No.	SYMBOL
1	LED: CATHODE
2	LED: ANODE



- Notes:
- Do not use materials which are prohibited by ROHS.
 - The dimensions with the mark (*) are controlled as a particular characteristic.

MEASURE	TOLERANCE			THIRD ANGLE PROJECTION	DATE	OPTREX CORPORATION
	A	B	C			
L≤16	±0.1	±0.3	±1	UNIT	Feb. 25' 05	TITLE
16<L≤63	±0.2	±0.5	±1.5	mm	APPROVED	DIMENSIONAL OUTLINE
63<L≤250	±0.3	±0.8	±2	SCALE	M. Motohashi	CODE
250<L≤500	±0.5	±1.2	±3	1:1	CHECKED	C-51847AD base
500<L	±0.8	±2	±4	DRAWN	T. Suzuki	DWG NO
ANGLE	±1°	±5°	±10°	X.Hawk		UE-312343