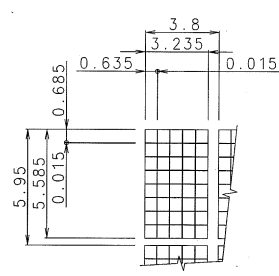
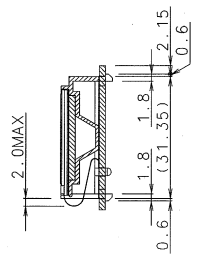
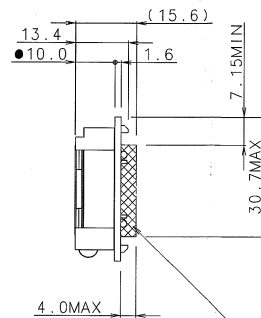
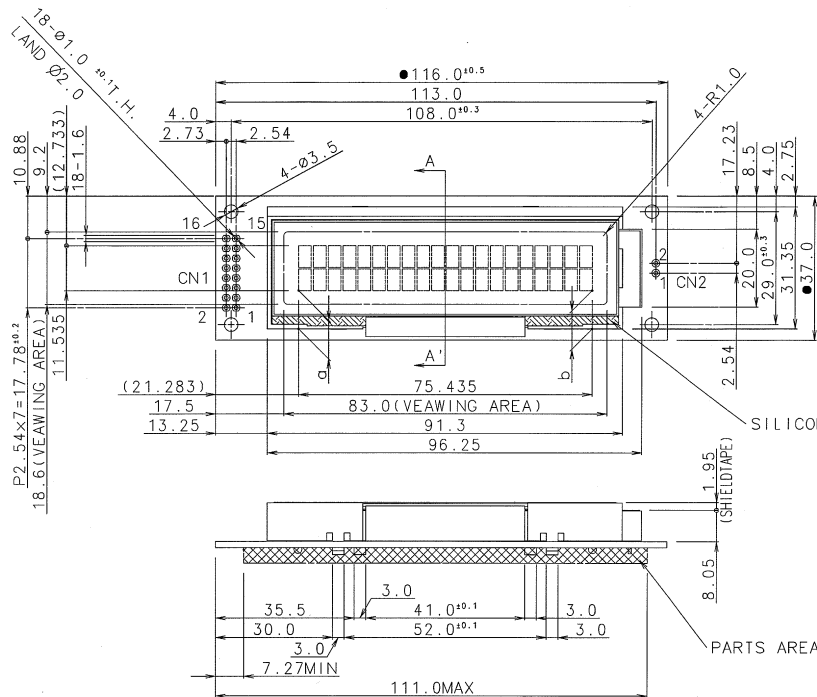


ISSUE	REVISIONS	DRAWN	DATE
△			

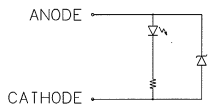


SILICON COATING AREA

PARTS AREA

PARTS AREA

DOT DETAIL (SCALE 10:1)



LED CIRCUIT

PIN ASSIGNMENT

CN1		CN2	
NO.	SYMBOL	NO.	SYMBOL
1	LED(A)	9	DB0
2	LED(K)	10	DB1
3	VSS	11	DB2
4	VCC	12	DB3
5	VEE	13	DB4
6	RS	14	DB5
7	R/W	15	DB6
8	E	16	DB7

- NOTE
1. THE DIMENSIONS WITH THE MARK (●) ARE CONTROLLED AS A PARTICULAR CHARACTERISTIC.
 2. $1\alpha-1\beta \leq 0.7$ (DISPLAY SKEW)
 3. DO NOT USE THE MATERIALS WHICH ARE PROHIBITED BY RoHS.

TOLERANCE			
MEASURE	A	B	C
L ≤ 16	±0.1	±0.3	±1
16 < L ≤ 63	±0.2	±0.5	±1.5
63 < L ≤ 250	±0.3	±0.8	±2
250 < L ≤ 500	±0.5	±1.2	±3
500 < L	±0.8	±2	±4
ANGLE	±1°	±5°	±10°

MATERIAL:		FINISH:	
DATE 2005/09/01	THIRD ANGLE PROJECTION	OPTREX CORPORATION	
APPROVED Masami Motohashi	SCALE 1:1	UNIT mm	TITLE DIMENSIONAL OUTLINE
CHECKED Yutaka Takada	DATE Feb. 28 '05	DWG NO (CODE) C-51505 AH base	
DRAWN Jia Hong	DSGN H. TONY	DWG SIZE A3	DWG REV