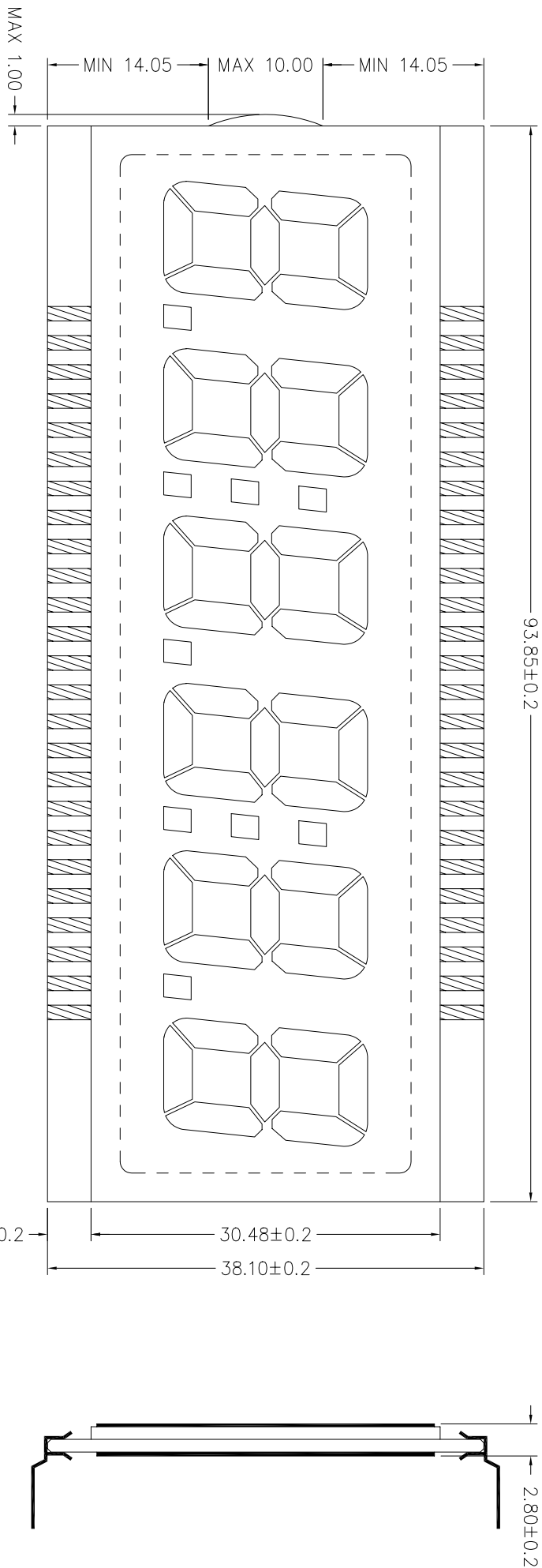


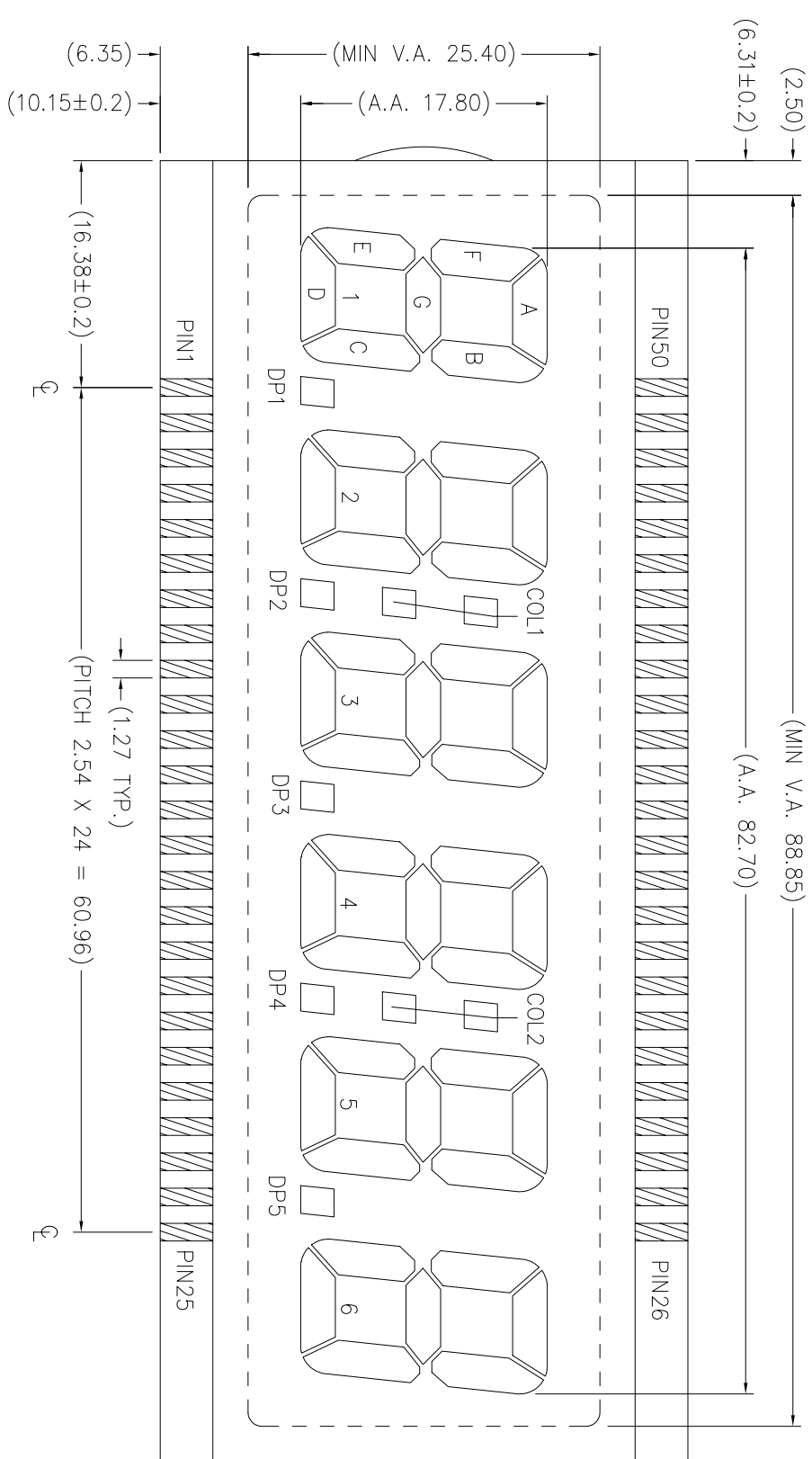
LAYOUT INSPECTION



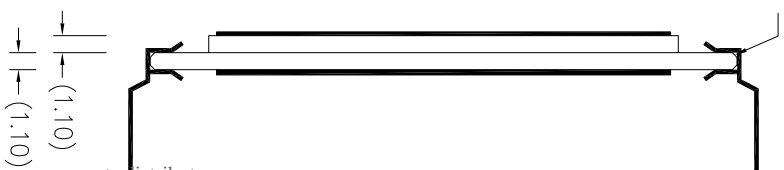
REMARKS: "◇" SPECIAL CHARACTERISTIC
 " + " SAFETY CHARACTERISTIC
 " () " REFERENCE ONLY

VARTTRONIX LTD. DWG NO: VI-607-1		Dimension : mm Drawn by : ZHP		TOL : ±0.2 IF NOT SPECIFY SIGN :		DD NOT SCALE DRAWING Date : 2004-12-14		3 rd ANGLE PROJECTION 	
REV	0	Checked by	MAKD	SIGN		Date			

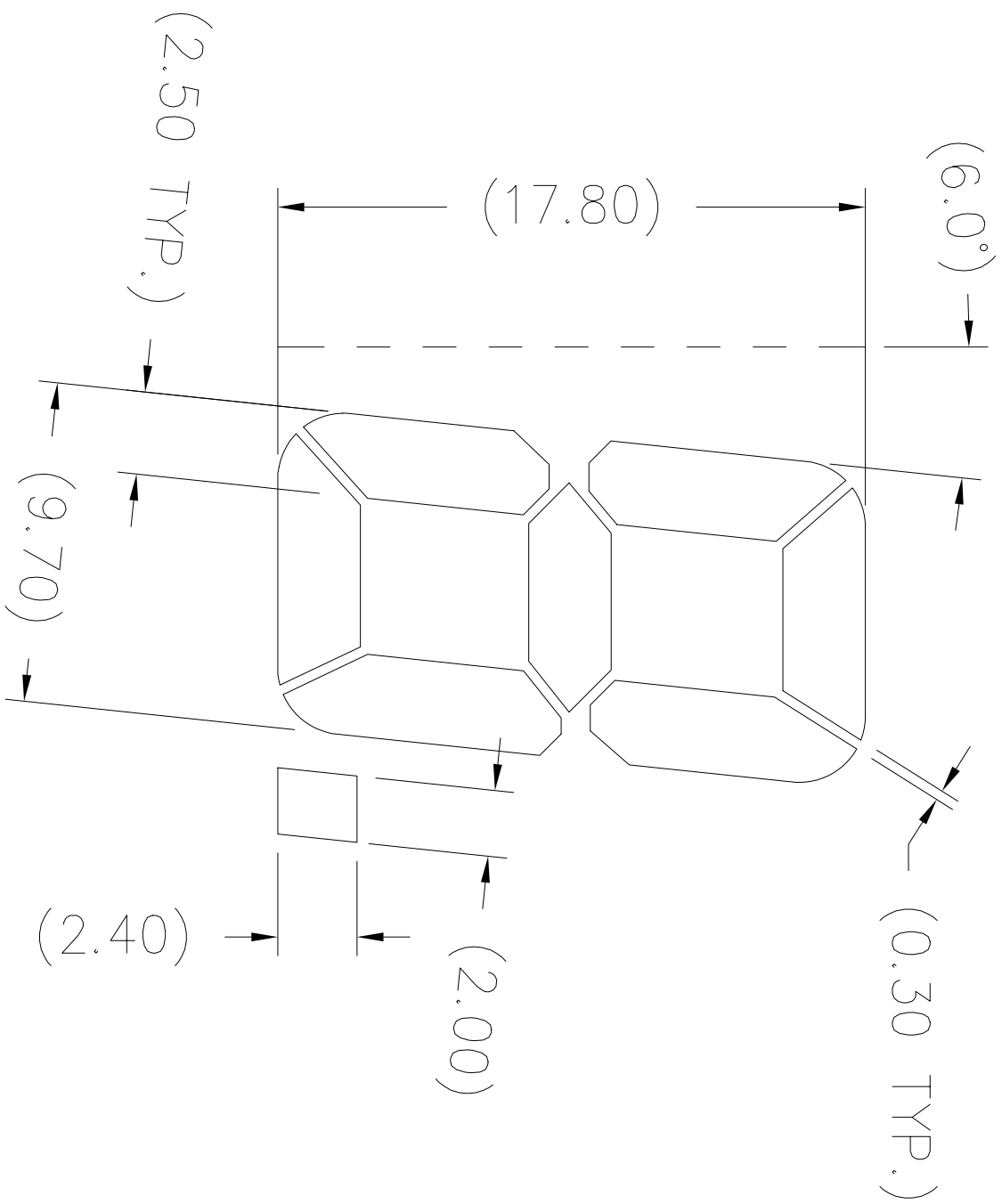
DWG.NO.: VI-607-1 (REV.0)



(BEVEL EDGE(4X))



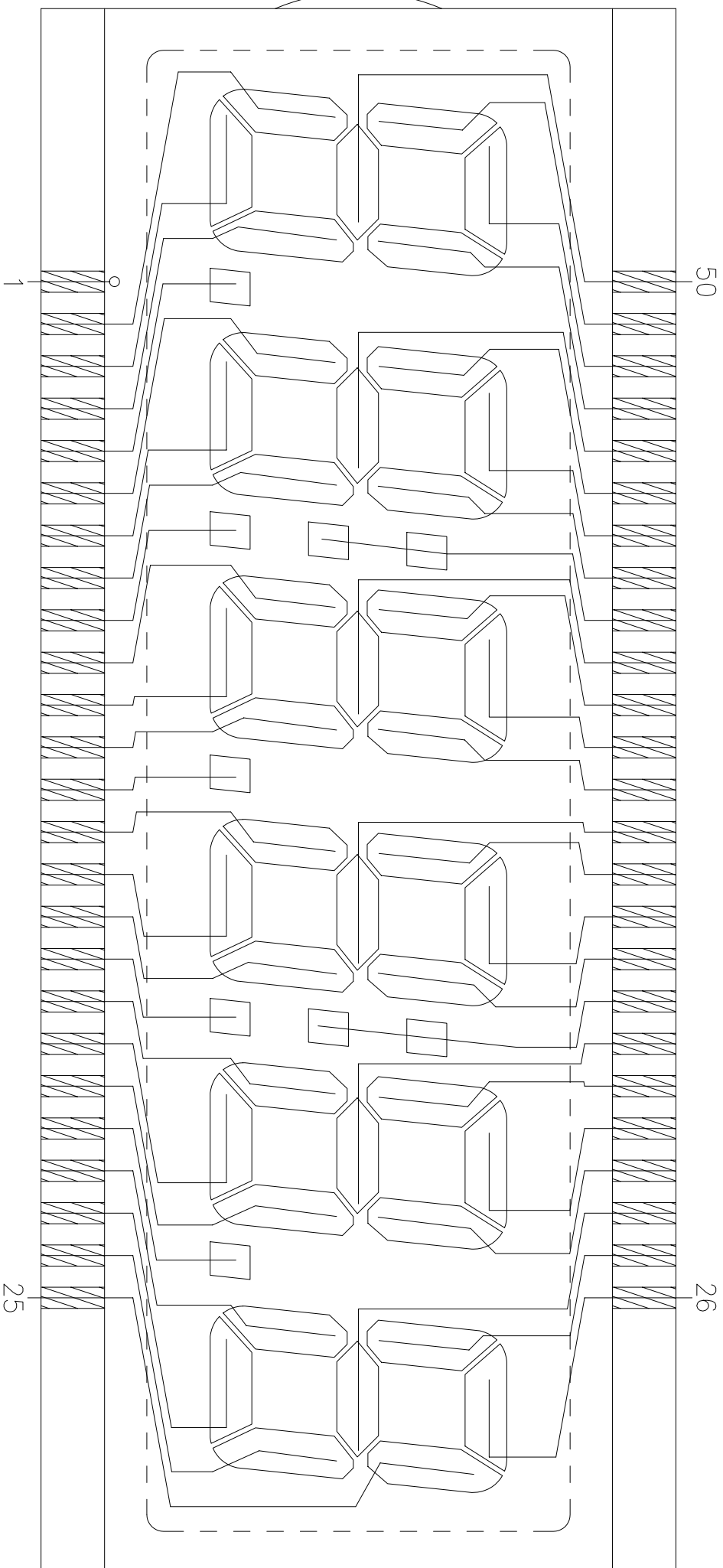
DWG.NO.: VI-607-1 (REV.0)



DIGIT 1-6

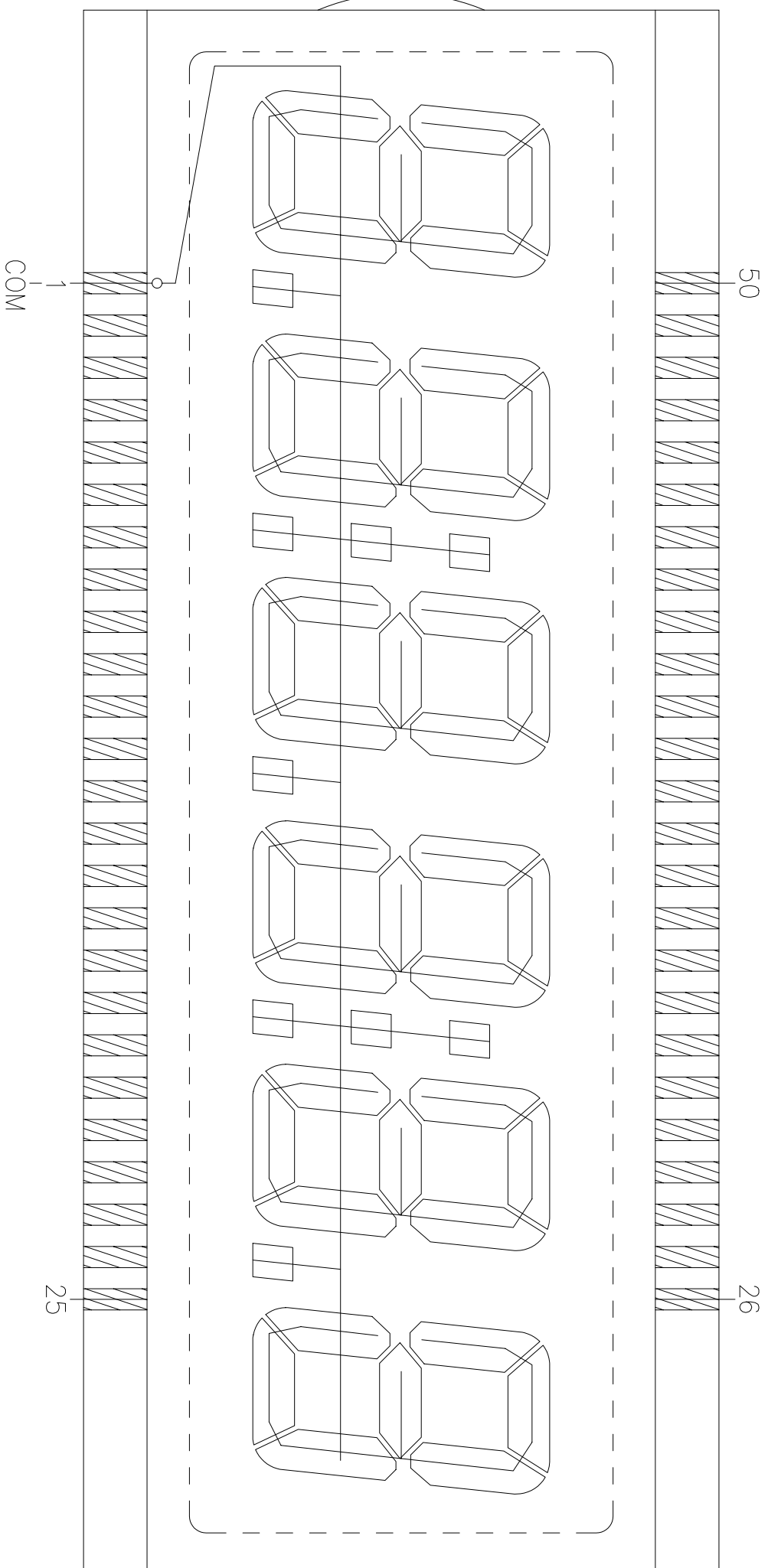
DWG.NO.: VI-607-1 (REV.0)

SEGMENT TRACKING



DWG.NO.: VI-607-1 (REV.0)

COMMON TRACKING



VARITRONIX LIMITED

OPEN LAYER :

SCALE

P

Do not scale

POLARIZER LOCATION DIAGRAM

Drawn by : ZHP

Date : 2004-12-14

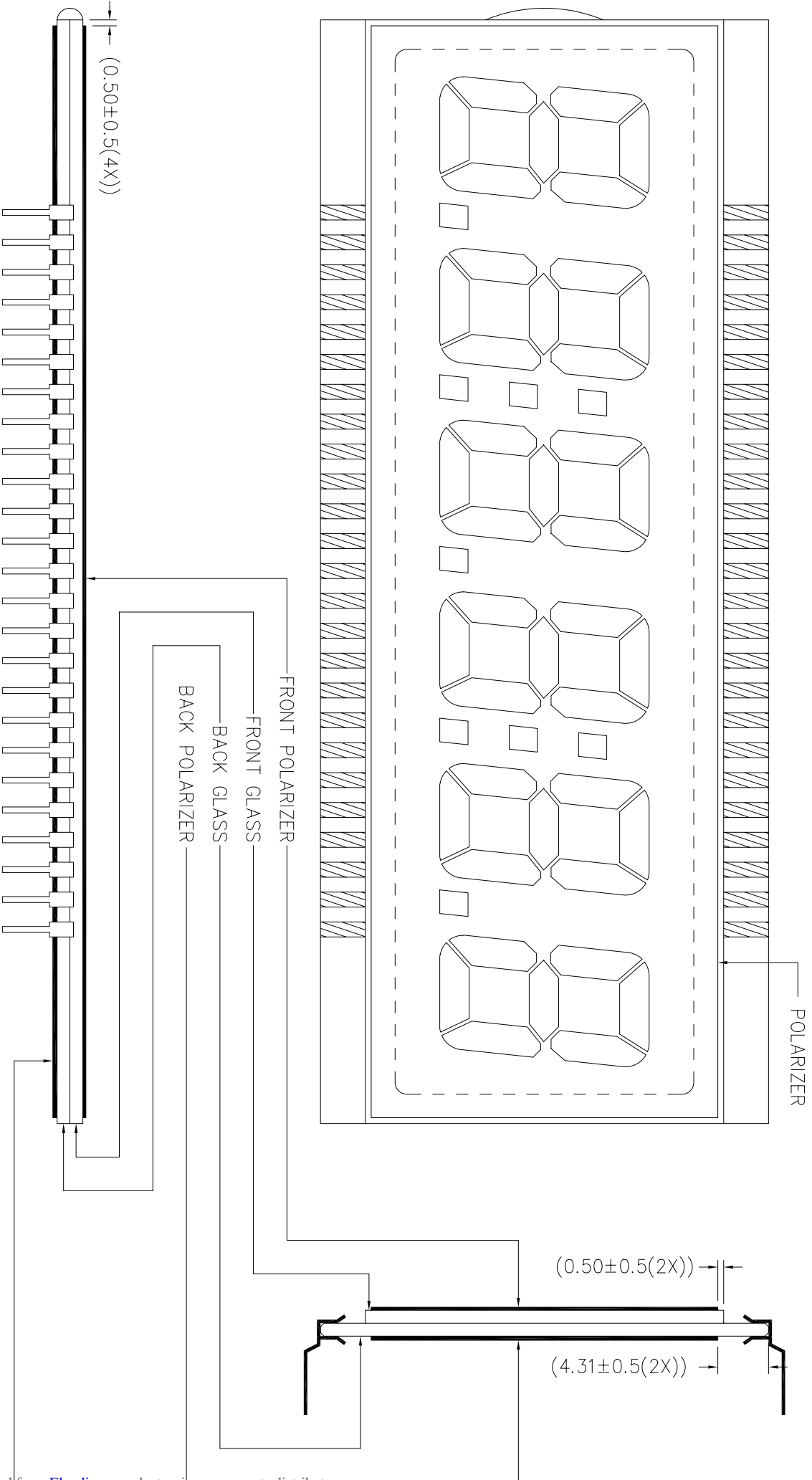
DOC. NO. : PL-VI-607-1-01

Checked by : INA

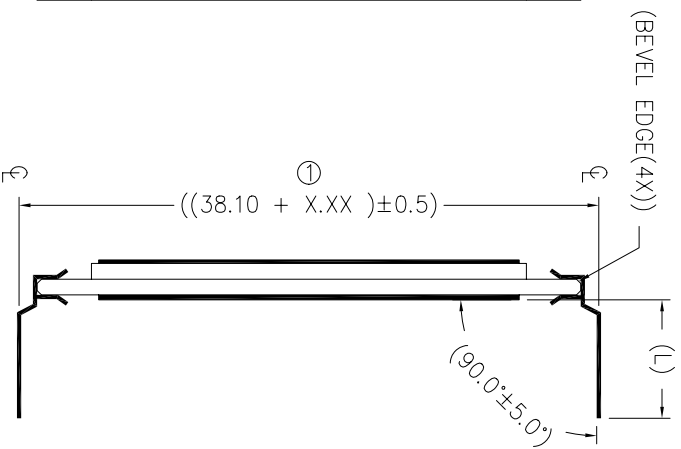
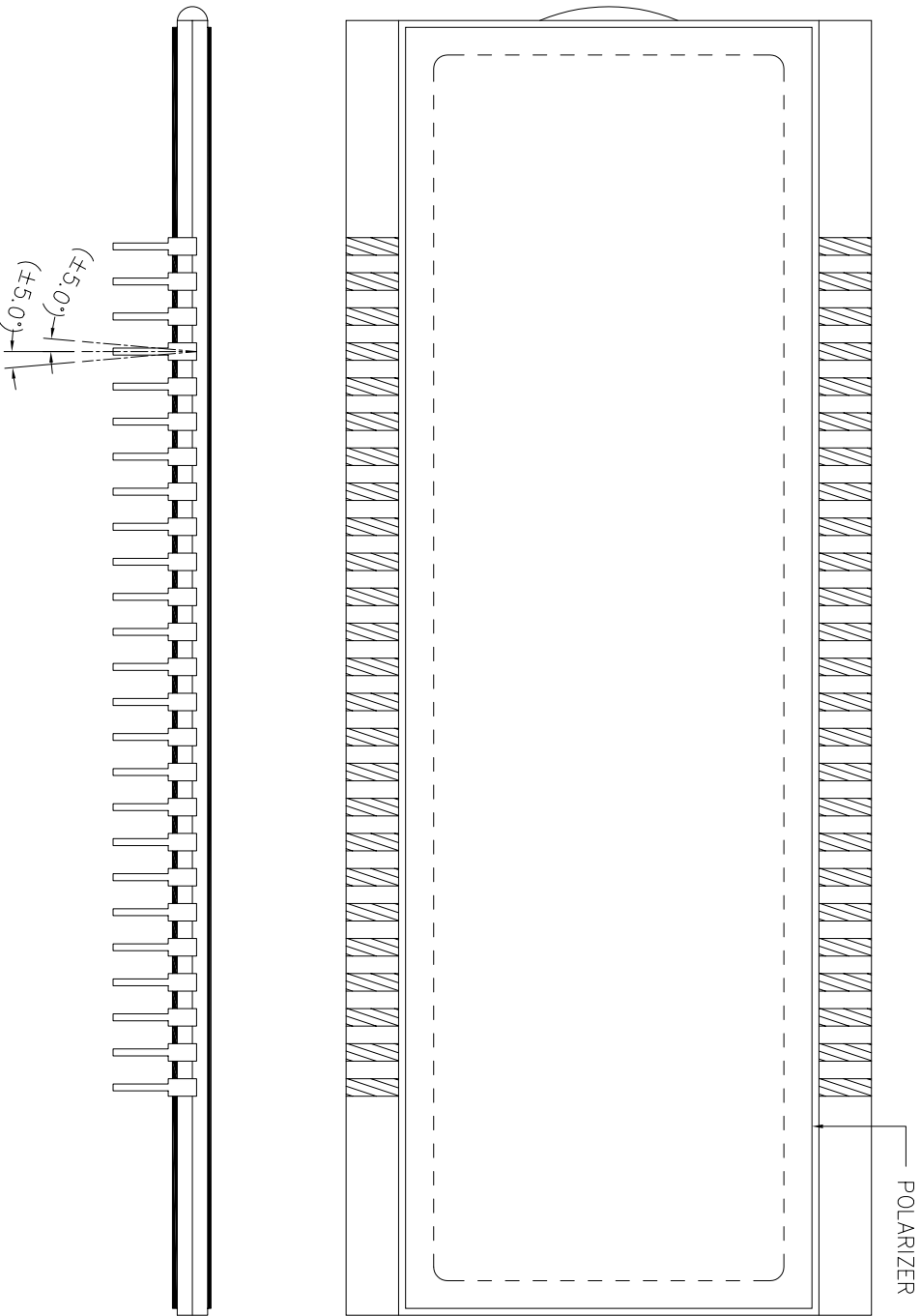
Date : 2004-12-14

Approval by :

Date : 2004-12-14



VARITRONIX LIMITED		OPEN LAYER :	SCALE
DIL-PIN DETAILS LOCATION DIAGRAM		DP-L0	Do not scale
DOC. NO. : DP-VI-607-1-01	Drawn by : ZHP	Date : 2004-12-14	
	Checked by : INA	Date : 2004-12-14	
ALL DIMENSIONS IN mm	Approval by :	Date : 2004-12-15	



REMARKS: PIN LENGTH (L) REFER TO COVER PAGE

- ① ----- X.XX=2.54 (FOR PIN LENGTH \geq 3.20 & \leq 10.00mm)
- X.XX=1.75 (FOR PIN LENGTH $>$ 10.00 & \leq 19.50mm)

DWG.NO.: VI-607-1 (REV.0)

PIN	COM	PIN	COM
1	COM	26	6A
2	1E	27	6F
3	1D	28	6G
4	1C	29	5B
5	DP1	30	5A
6	2E	31	5F
7	2D	32	5G
8	2C	33	COL2
9	DP2	34	4B
10	3E	35	4A
11	3D	36	4F
12	3C	37	4G
13	DP3	38	3B
14	4E	39	3A
15	4D	40	3F
16	4C	41	3G
17	DP4	42	COL1
18	5E	43	2B
19	5D	44	2A
20	5C	45	2F
21	DP5	46	2G
22	6E	47	1B
23	6D	48	1A
24	6C	49	1F
25	6B	50	1G