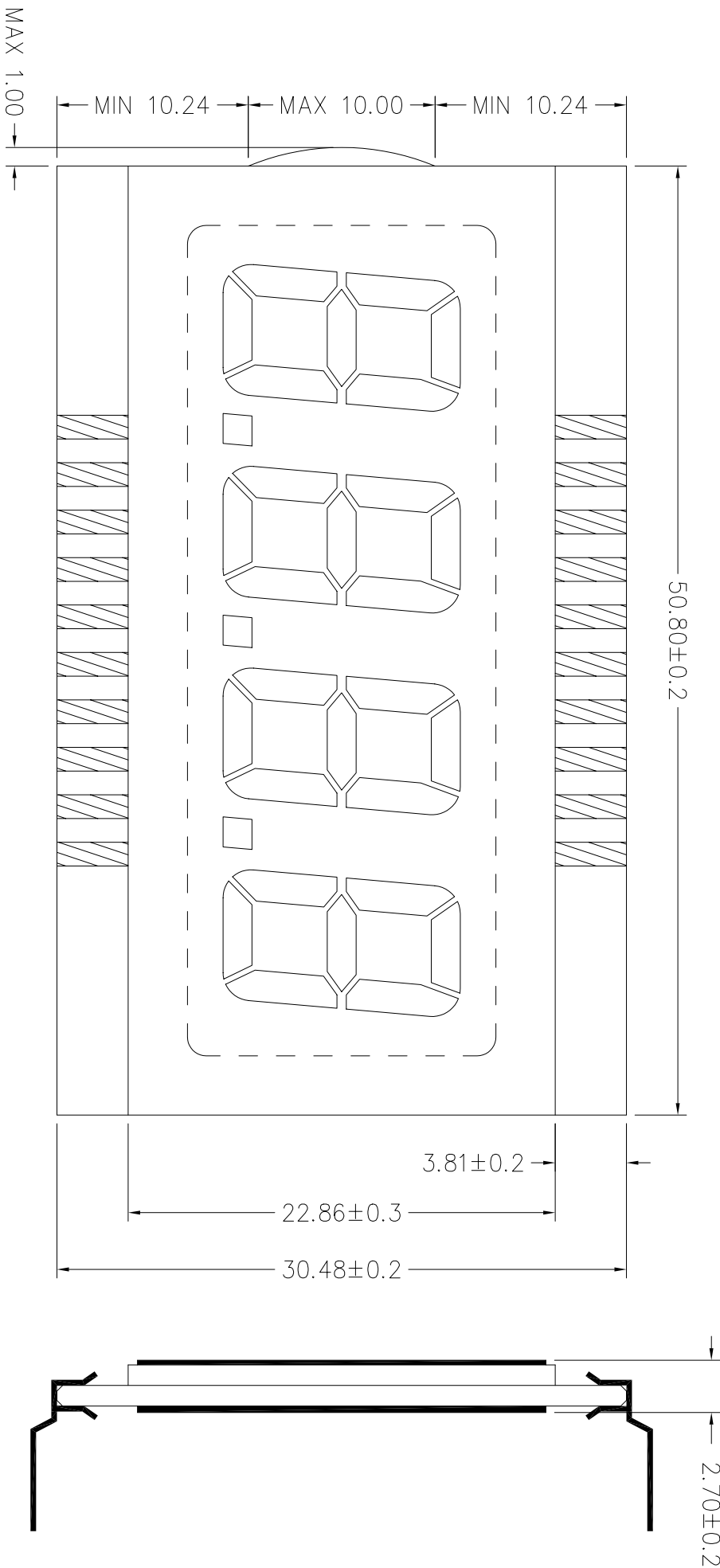


LAYOUT INSPECTION

12

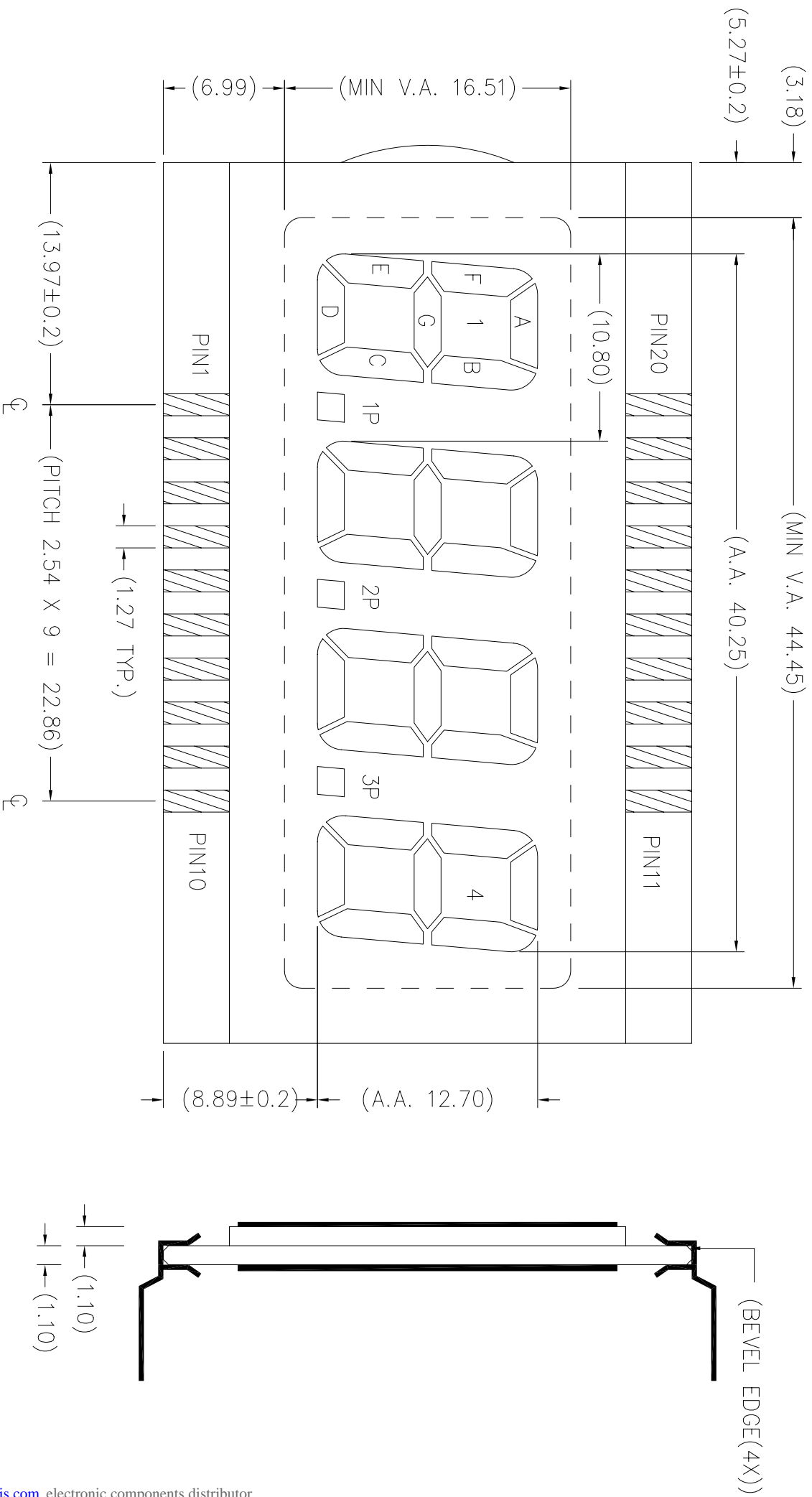


REMARKS:

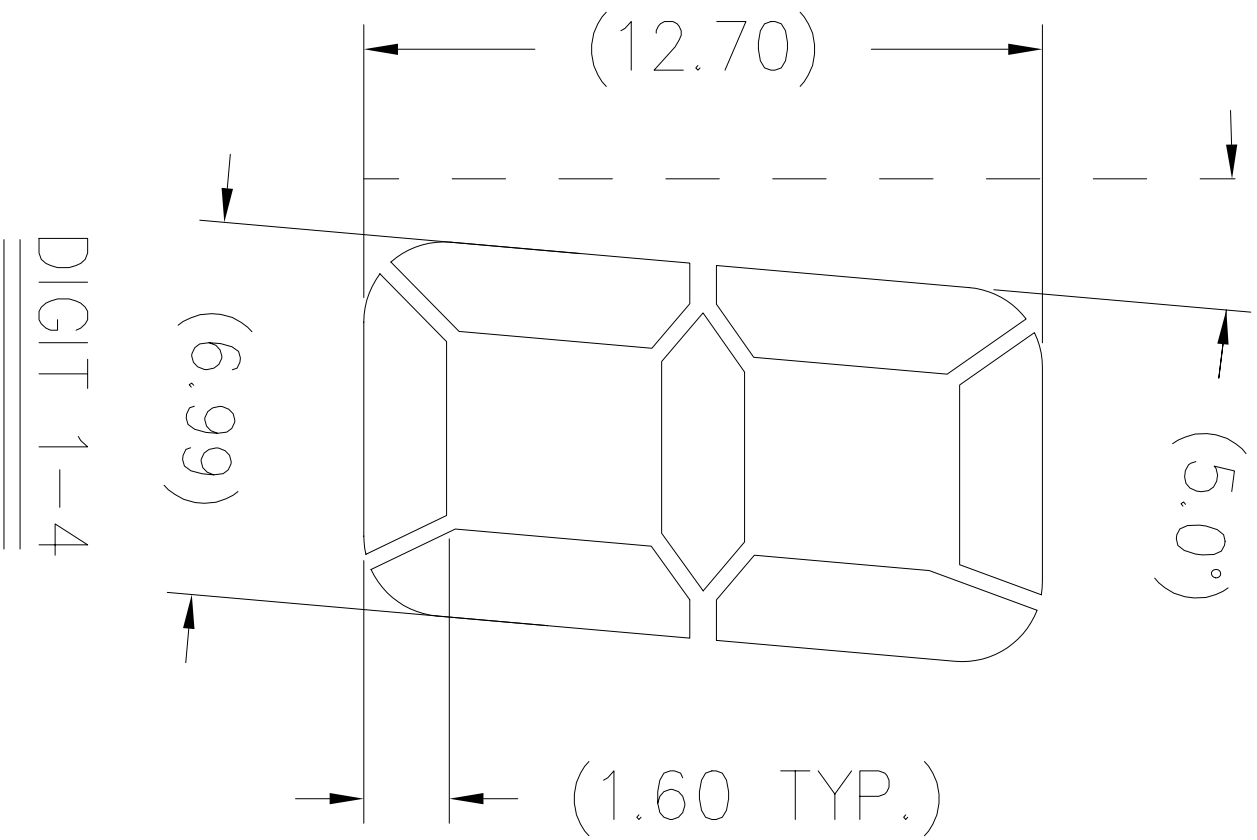
- ”◇” SPECIAL CHARACTERISTIC
- ”+” SAFETY CHARACTERISTIC
- ”() ” REFERENCE ONLY

| | | | | | | | |
|----------------------------|------------|---------------------------|-----|----------------------|------------|----------------------------------|--|
| DRAWING : VARI-TRONIX LTD. | | TOL : ±0.2 IF NOT SPECIFY | | DO NOT SCALE DRAWING | | 3 rd ANGLE PROJECTION | |
| REV | 0 | Dimension : mm | | DD NOT SCALE DRAWING | | | |
| DWGNO : | VIM-404-DP | Drawn by : | QMZ | DATE : | 2005-09-03 | | |
| | | Checked by : | YIN | DATE : | | | |
| | | SIGN : | | | | | |
| | | SIGN : | | | | | |

DWG.NO.: VIM-404-DP (REV.0)

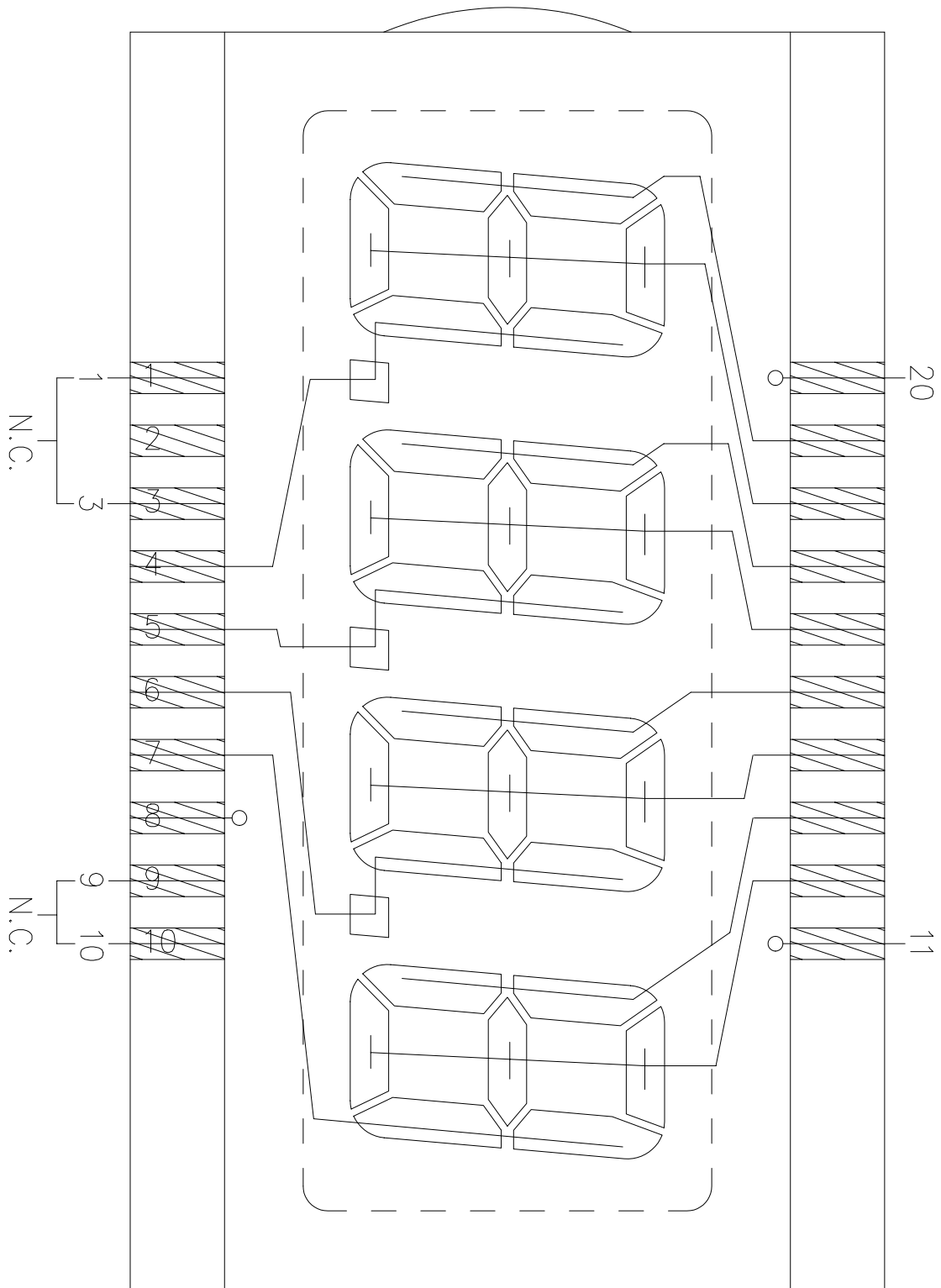


DWG. NO.: VIM-404-DP (REV.0)



DWG.NO.: VIM-404-DP (REV.0)

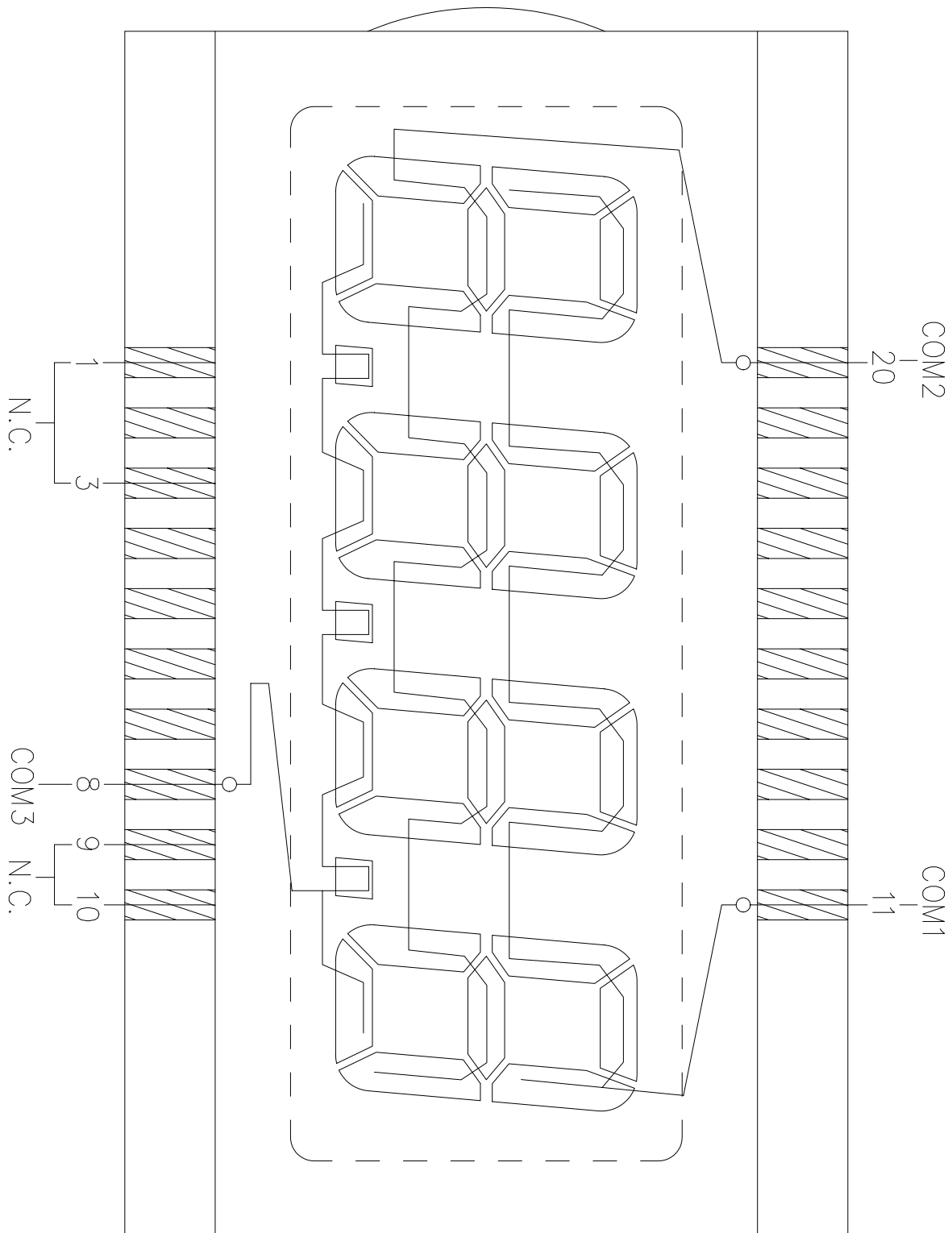
SEGMENT TRACKING



REMARKS : N.C. = NO CONNECTION

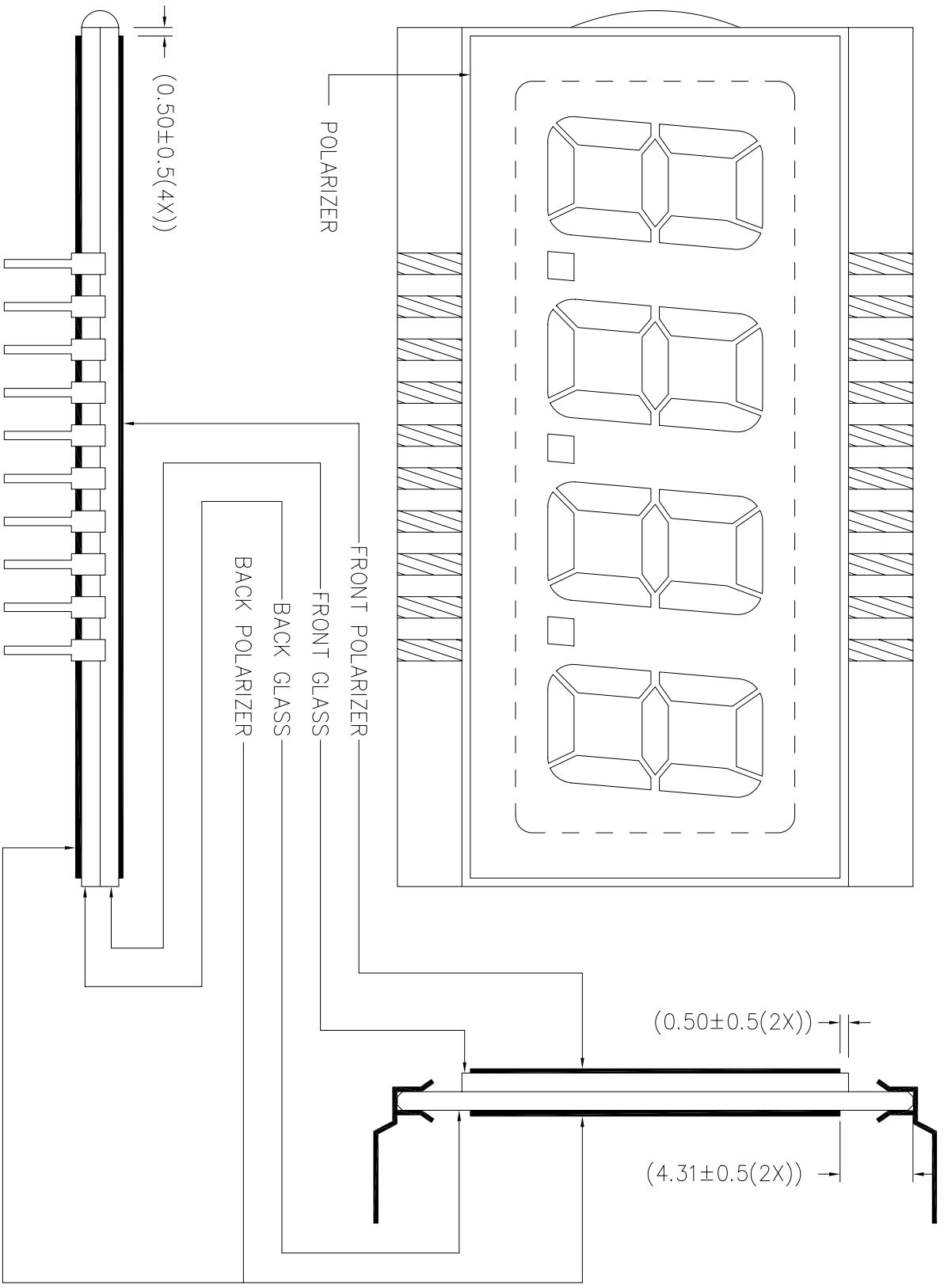
DWG.NO.: VIM-404-DP (REV.0)

COMMON TRACKING

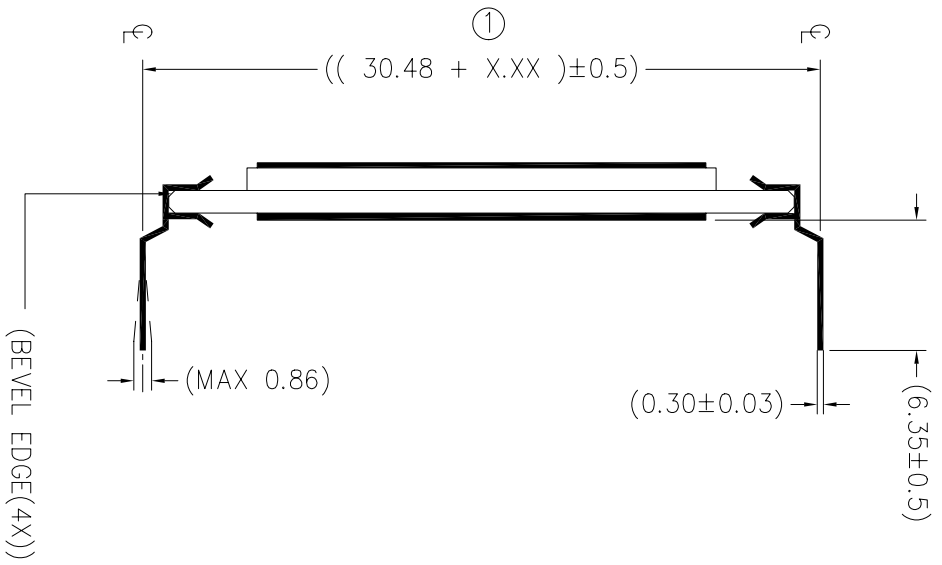
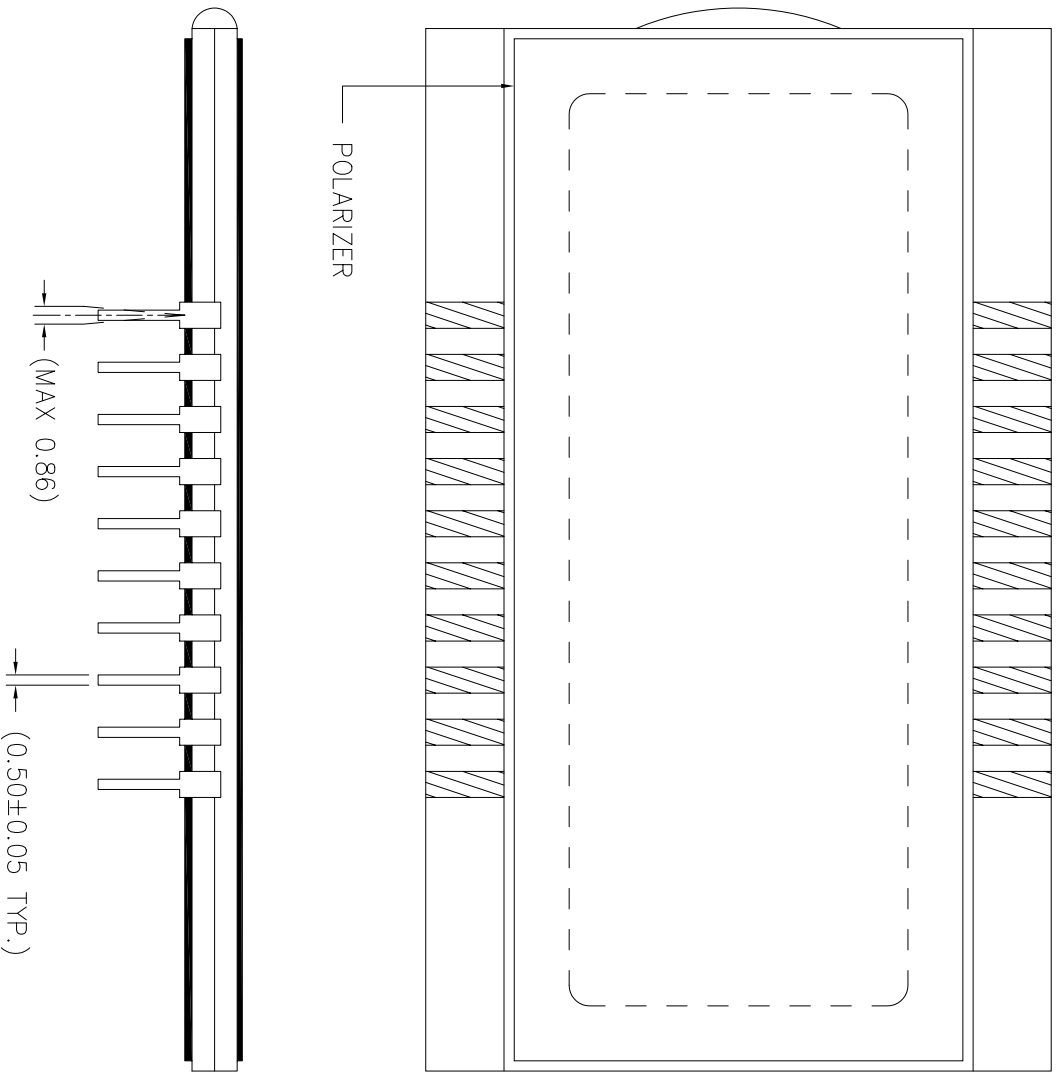


REMARKS : N.C. = NO CONNECTION

| | | | |
|-----------------------------------|--|-----------------|-------------------|
| VARITRONIX LIMITED | | OPEN LAYER : | SCALE |
| POLARIZER LOCATION DIAGRAM | | P | Do not scale |
| DOC. NO. : PL-VIM-404-DP-01 | | Drawn by : GMZ | Date : 2005-09-03 |
| | | Checked by : HE | Date : 2005-09-03 |
| | | Approval by : | Date : 2005-09-06 |



| | | | |
|---|--|-----------------------|-----------------------|
| VARTRONIX LIMITED | | OPEN LAYER : DP-L0 | SCALE Do not scale |
| DIL-PIN DETAILS LOCATION DIAGRAM | | | |
| DOC. NO. : DP-VIM-404-DP-01 | | Drawn by : QMZ | Date : 2005-09-03 |
| | | Checked by : HE | Date : 2005-09-03 |
| ALL DIMENSIONS IN mm | | Approval by : | Date : 2005-09-06 |



REMARKS: ① - - - - X.XX=2.54 (FOR PIN LENGTH ≥ 3.20 & ≤ 10.00mm)
X.XX=1.75 (FOR PIN LENGTH > 10.00 & ≤ 19.50mm)

DWG.NO.: VIM-404-DP (REV.0)

| | | | |
|------|------|------|------|
| PIN | COM1 | COM2 | COM3 |
| 1-3 | N.C. | N.C. | N.C. |
| 4 | 1B | 1C | 1P |
| 5 | 2B | 2C | 2P |
| 6 | 3B | 3C | 3P |
| 7 | 4B | 4C | ---- |
| 8 | ---- | ---- | COM3 |
| 9-10 | N.C. | N.C. | N.C. |
| 11 | COM1 | ---- | ---- |
| 12 | 4A | 4G | 4D |
| 13 | 4F | 4E | ---- |
| 14 | 3A | 3G | 3D |
| 15 | 3F | 3E | ---- |
| 16 | 2A | 2G | 2D |
| 17 | 2F | 2E | ---- |
| 18 | 1A | 1G | 1D |
| 19 | 1F | 1E | ---- |
| 20 | ---- | COM2 | ---- |

REMARKS: ALL COSMETIC DEFECTS MUST BE ACCEPT OUTSIDE

V.A. EXCEPT ANY CONCERN ON RELIBILITY

N.C. = NO CONNECTION