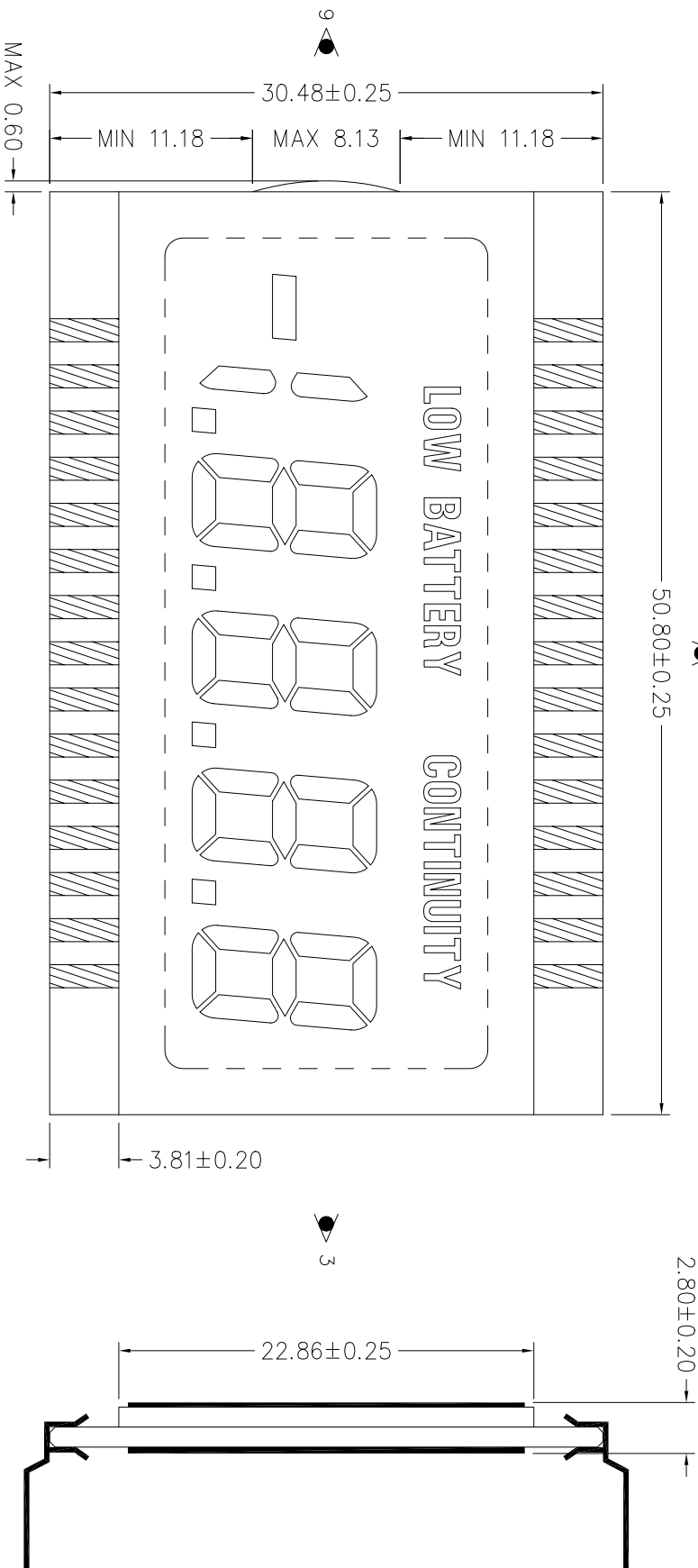


LAYOUT INSPECTION

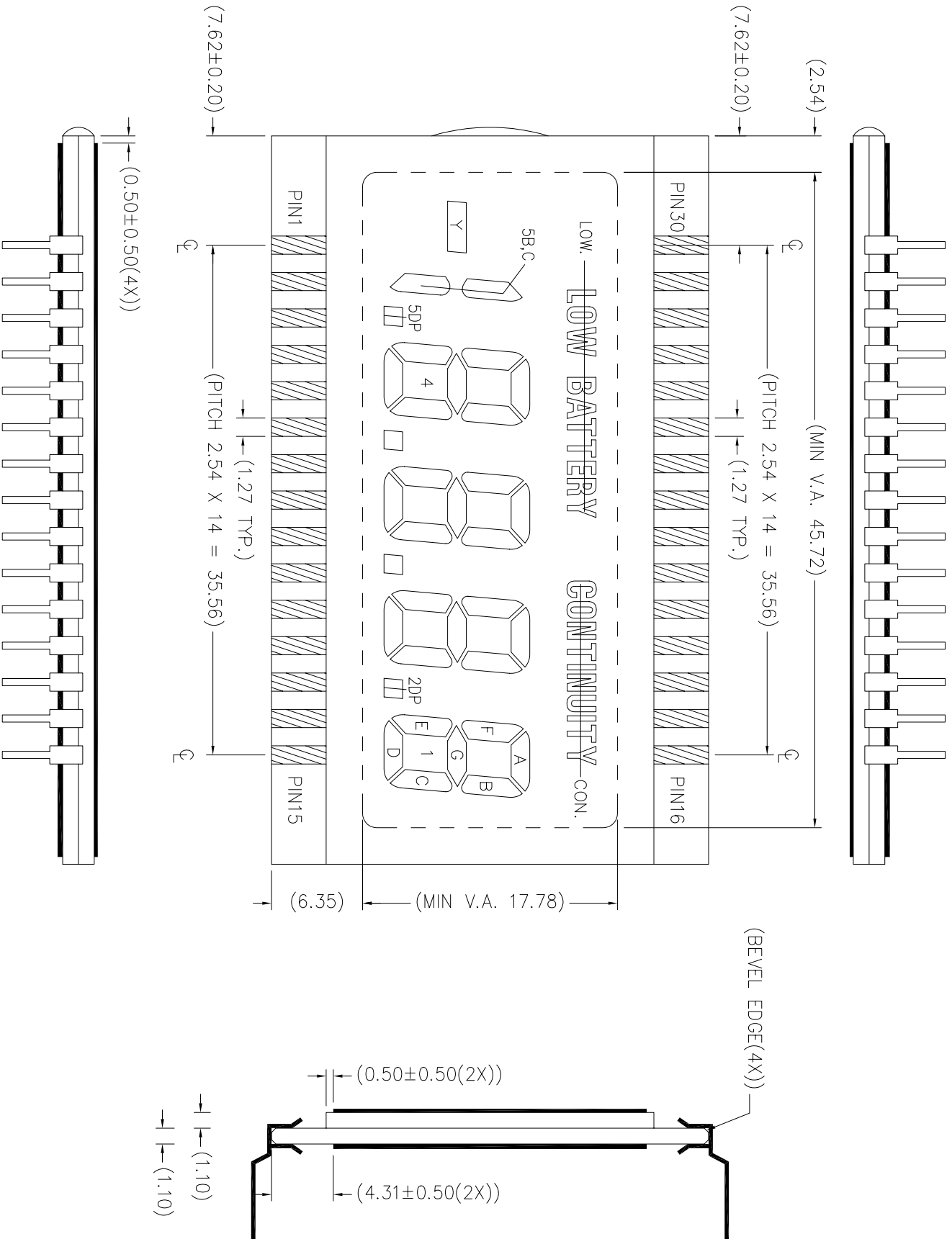
12



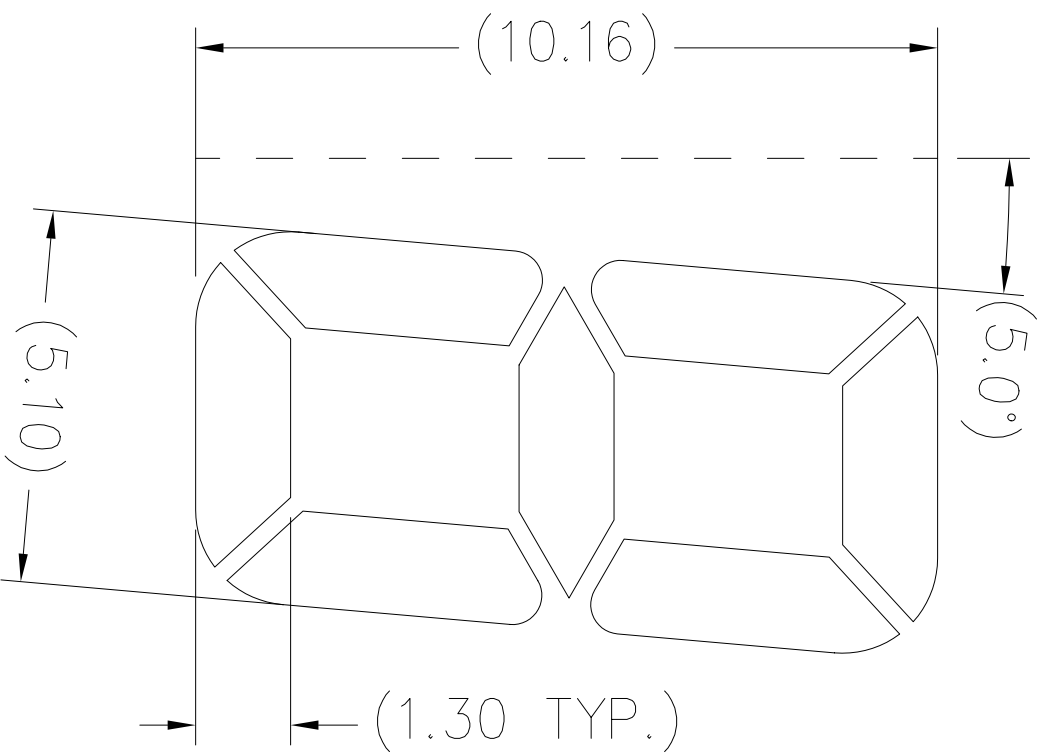
REMARKS: CHARACTER FONT: UNVER-67 (HEIGHT = 2.00 mm)

- ”◇” SPECIAL CHARACTERISTIC
- ”+” SAFETY CHARACTERISTIC
- ”( ) ” REFERENCE ONLY
- ”▽” CRITICAL DIMENSION

VARITRONIX LTD.		TOL : ±0.15 IF NOT SPECIFY		DD NOT SCALE DRAWING		3 <sup>rd</sup> ANGLE PROJECTION	
DWGNO :	VIM-503-10	REV	10	Drawn by :	MEI	SIGN :	
		Checked by :	ERIC	SIGN :		Date :	2003-08-27

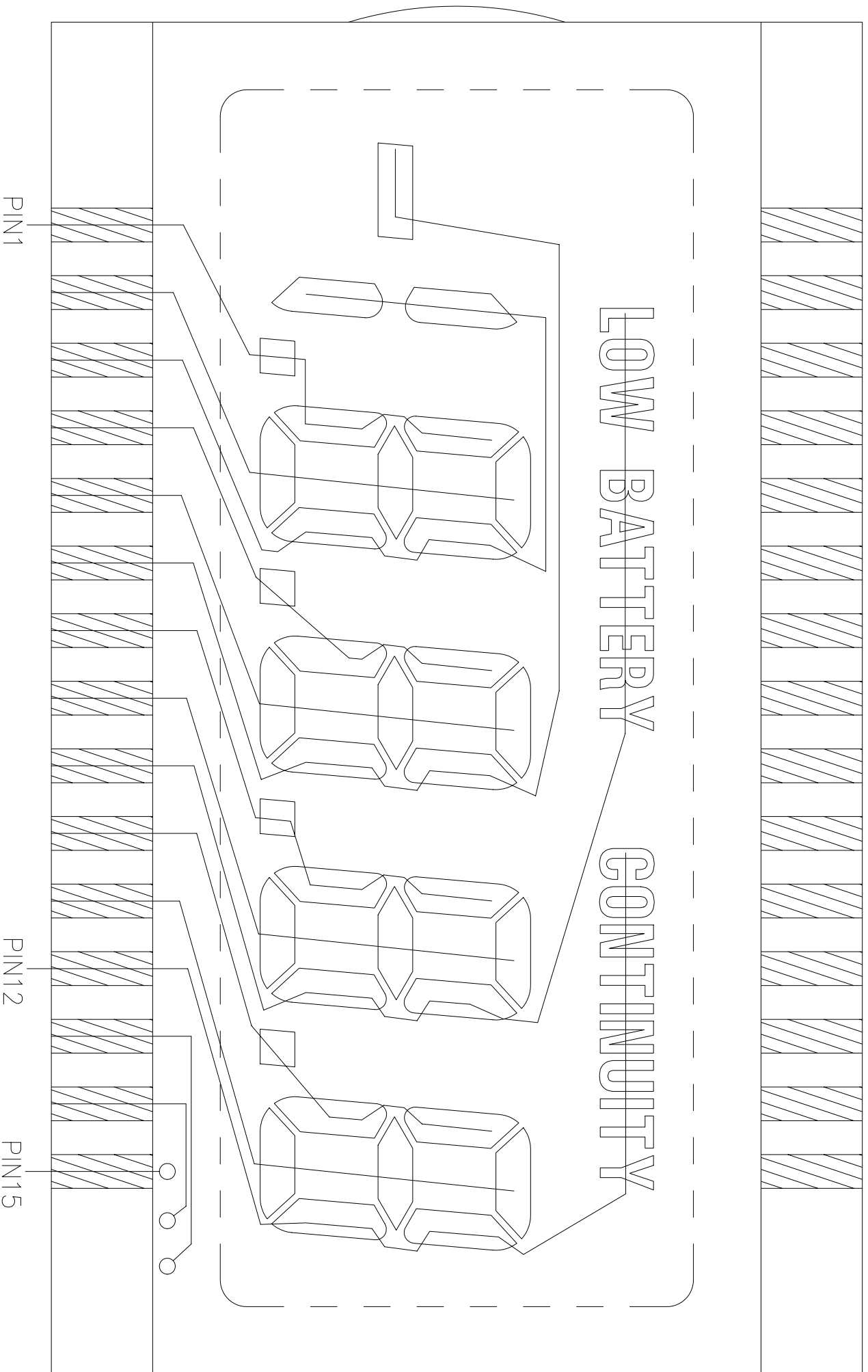


DWG. NO.: VIM-503-1 (REV.0)

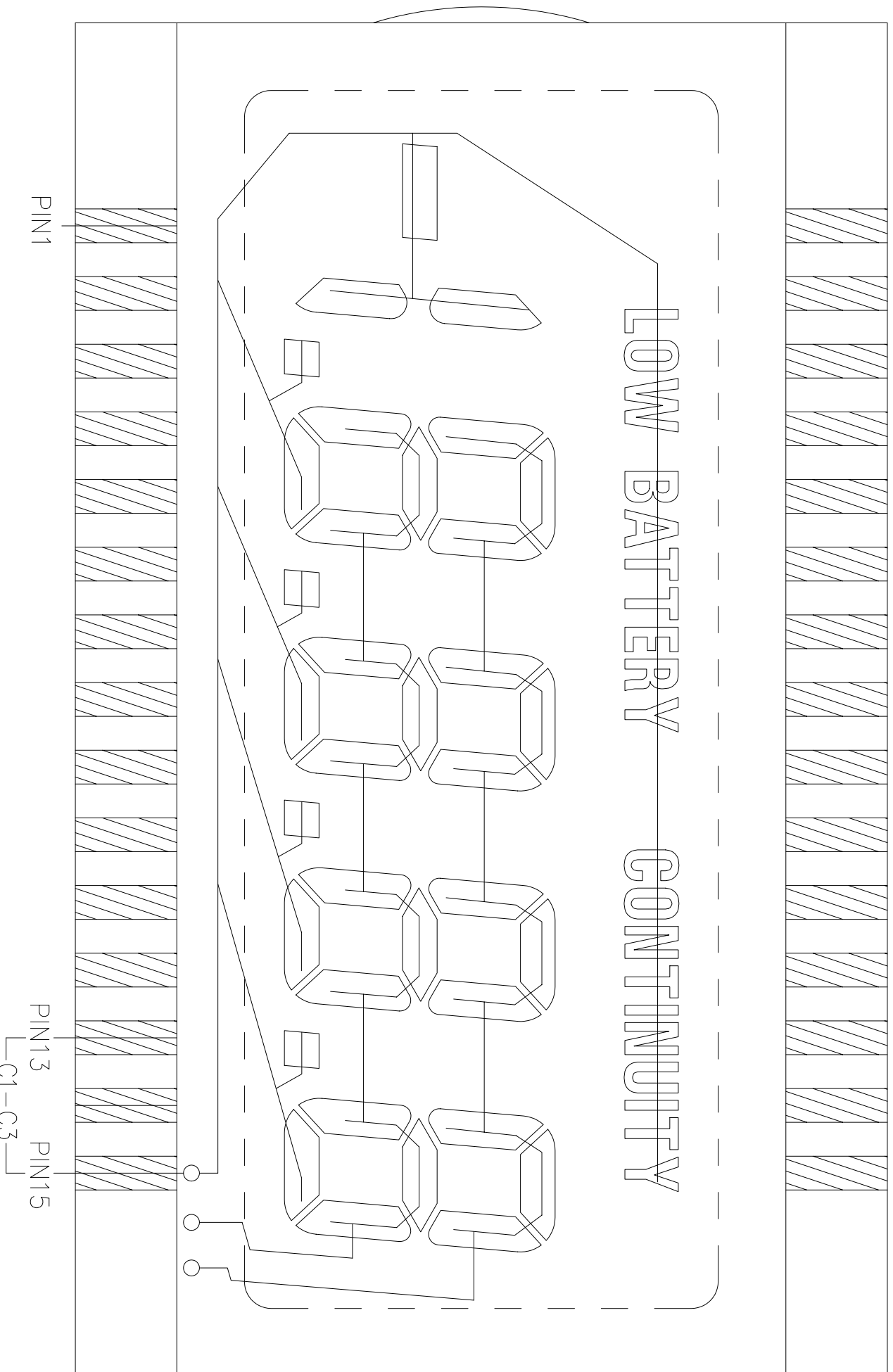


DIGIT 1 - 5

DWG. NO.: VIM-503-1 (REV.0)  
SEGMENT TRACKING



DWG. NO.: VIM-503-1 (REV.0)  
COMMON TRACKING



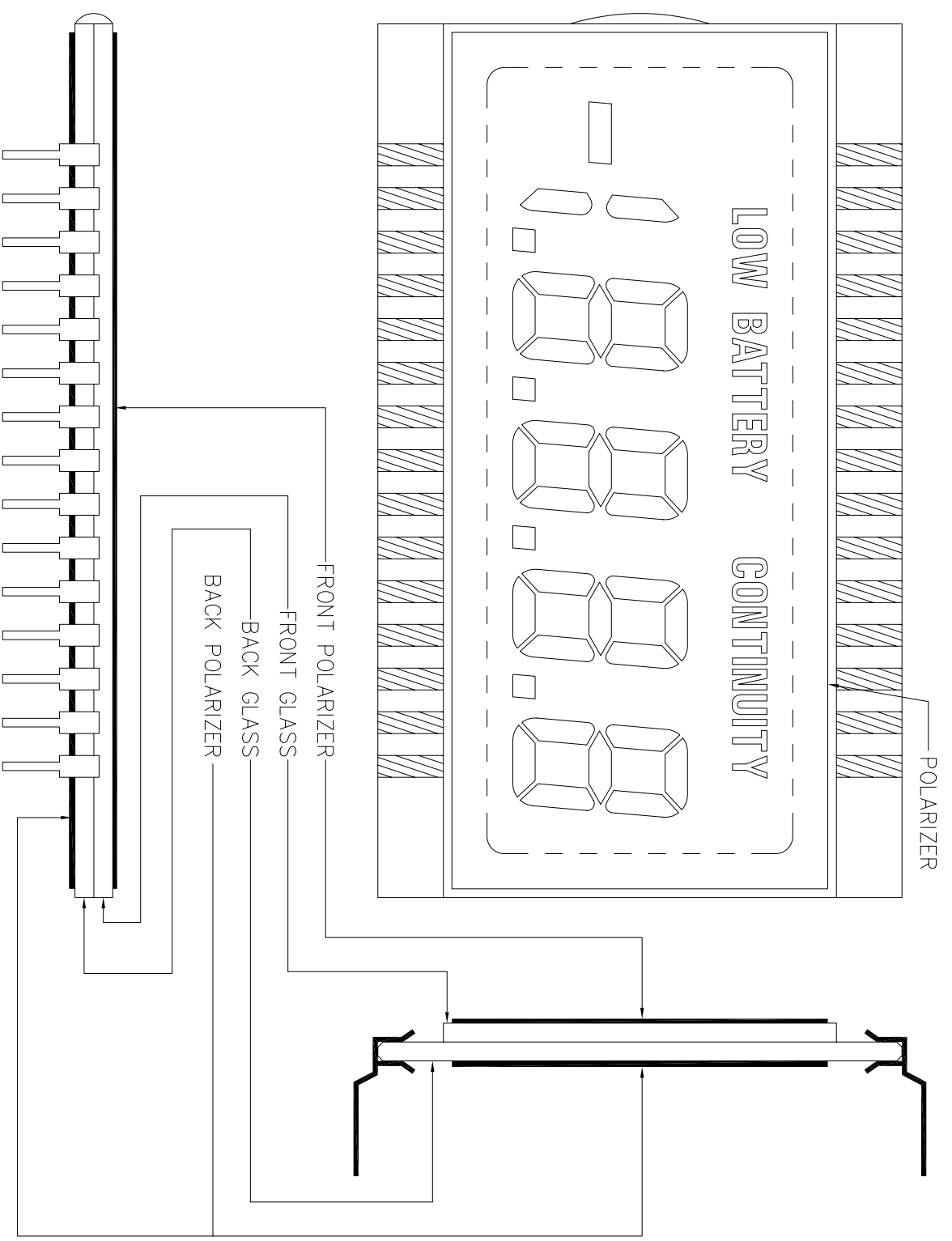
PIN1

PIN13

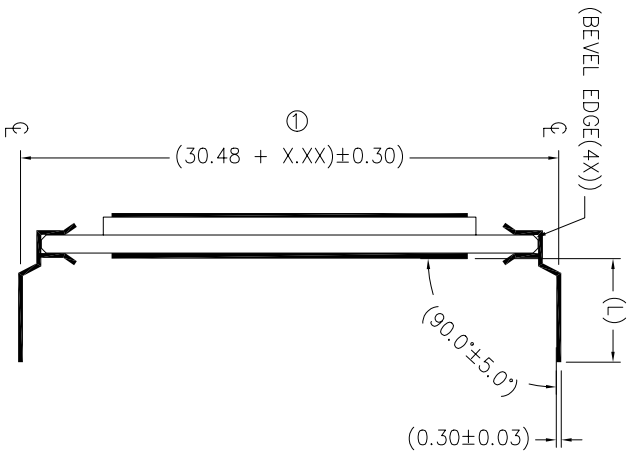
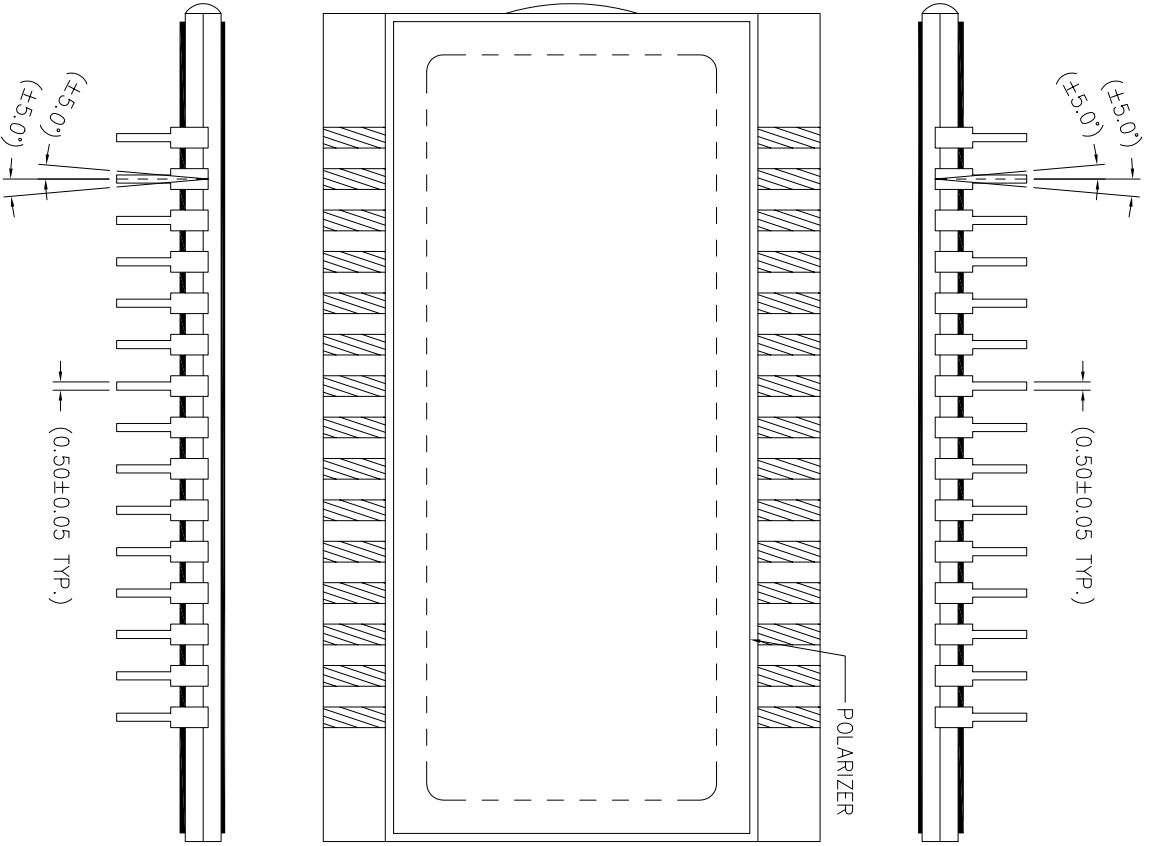
PIN15

C1-C3

VARTRONIX LIMITED		OPEN LAYER :	SCALE
<b>POLARIZER LOCATION DIAGRAM</b>		P	Do not scale
DOC. NO. : PL-VIM-503-01		Drawn by : MEI	Date : 2003-08-27
		Checked by : INA	Date : 2003-08-27
		Approval by :	Date : 2003-08-27



VARTRONIX LIMITED		OPEN LAYER :	SCALE
DIL-PIN DETAILS LOCATION DIAGRAM		DP-L0	Do not scale
DOC. NO. : DP-VIM-503-01		Drawn By : MEI	Date : 2003-08-27
ALL DIMENSIONS IN mm		Checked by : MAKO	Date : 2003-08-27
		Approval by :	Date : 2003-08-27



REMARKS: ① ----- X.XX=2.54 (FOR PIN LENGTH  $\geq 3.2$  &  $\leq 10.00$ mm)  
X.XX=1.75 (FOR PIN LENGTH  $> 10.00$  &  $\leq 19.50$ mm)  
PIN LENGTH (L) REFER TO COVER PAGE

DWG.NO.: VIM-503-1 (REV.0)

PIN	COM1	COM2	COM3
1	4F	4E	5DP
2	4A	4G	4D
3	4B	4C	5B,C
4	3F	3E	4DP
5	3A	3G	3D
6	3B	3C	Y
7	2F	2E	3DP
8	2A	2G	2D
9	2B	2C	LOW.
10	1F	1E	2DP
11	1A	1G	1D
12	1B	1C	CON.
13	COM1	----	----
14	----	COM2	----
15	----	----	COM3
16-30	NO CONNECTION		