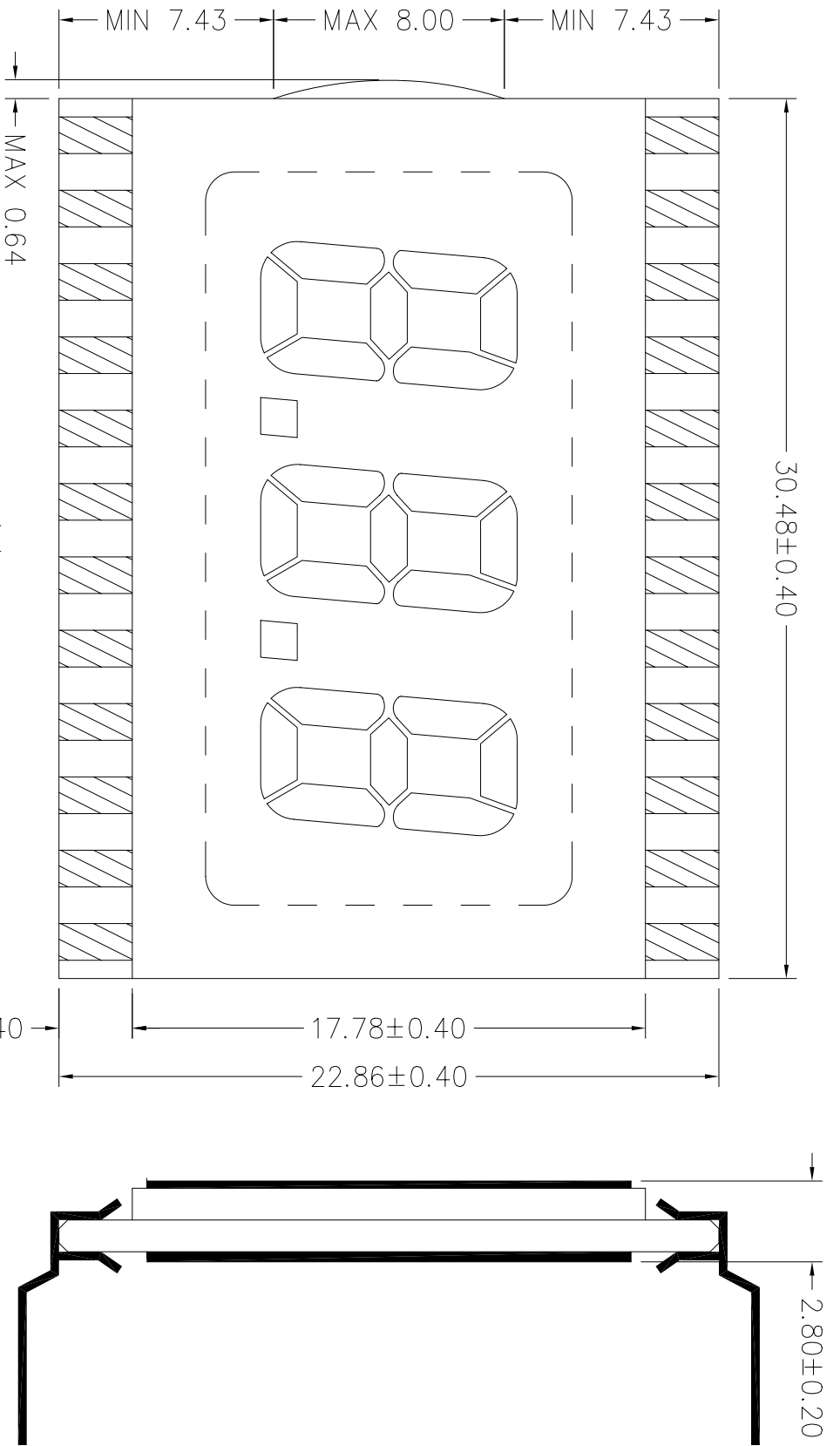


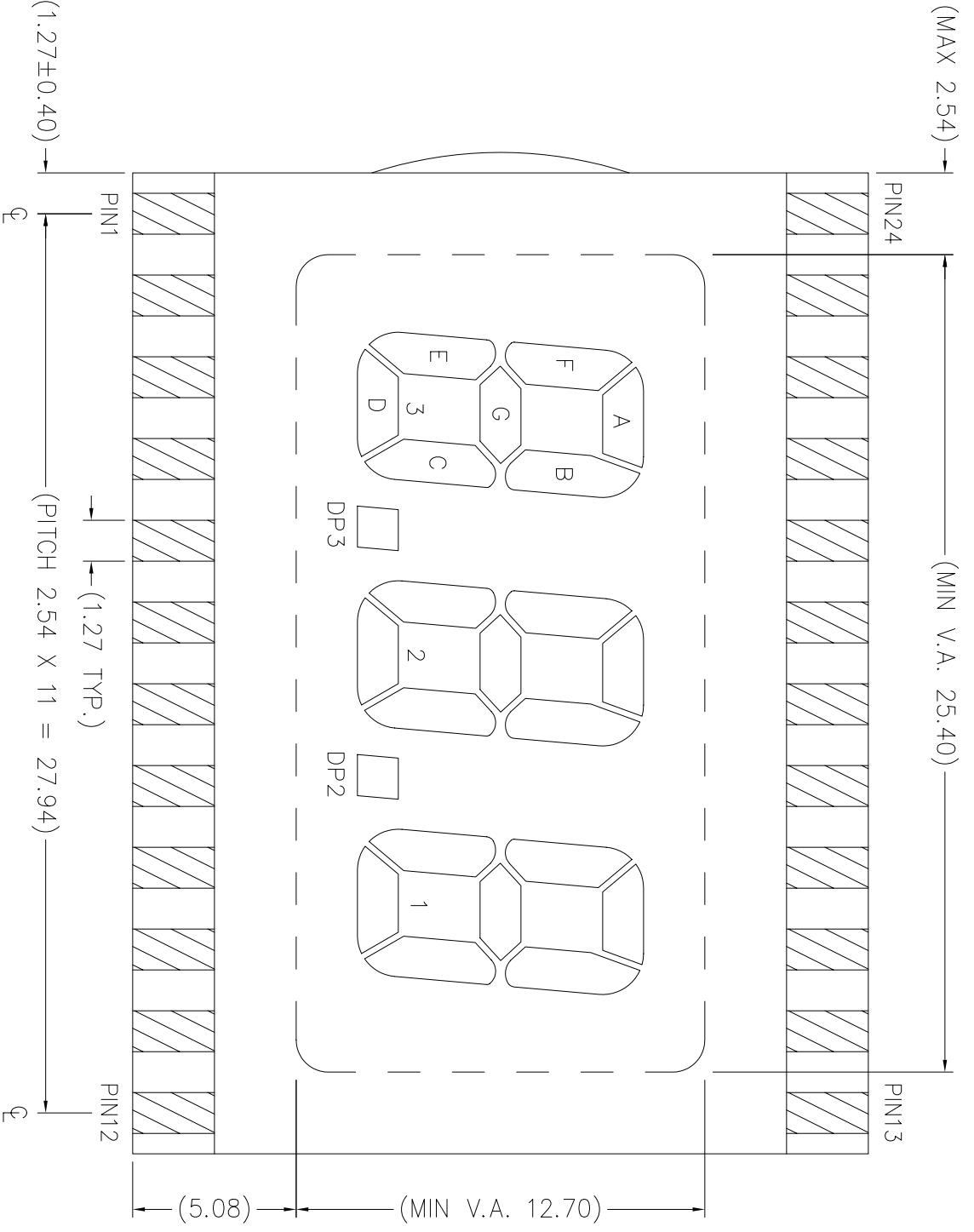
LAYOUT INSPECTION



REMARKS: "◇" SPECIAL CHARACTERISTIC  
 " + " SAFETY CHARACTERISTIC  
 " ( ) " REFERENCE ONLY  
 " ▽ " CRITICAL DIMENSION

VARITRONIX LTD.		Dimension : mm	TOL : 1/10 IF NOT SPECIFY	DO NOT SCALE DRAWING	3rd ANGLE PROJECTION
DWG NO. : VI-321-DP0	REV : 0	Drawn by : YIN	SIGN :	Date : 2002-07-05	
		Checked by : MAKD	SIGN :	Date :	

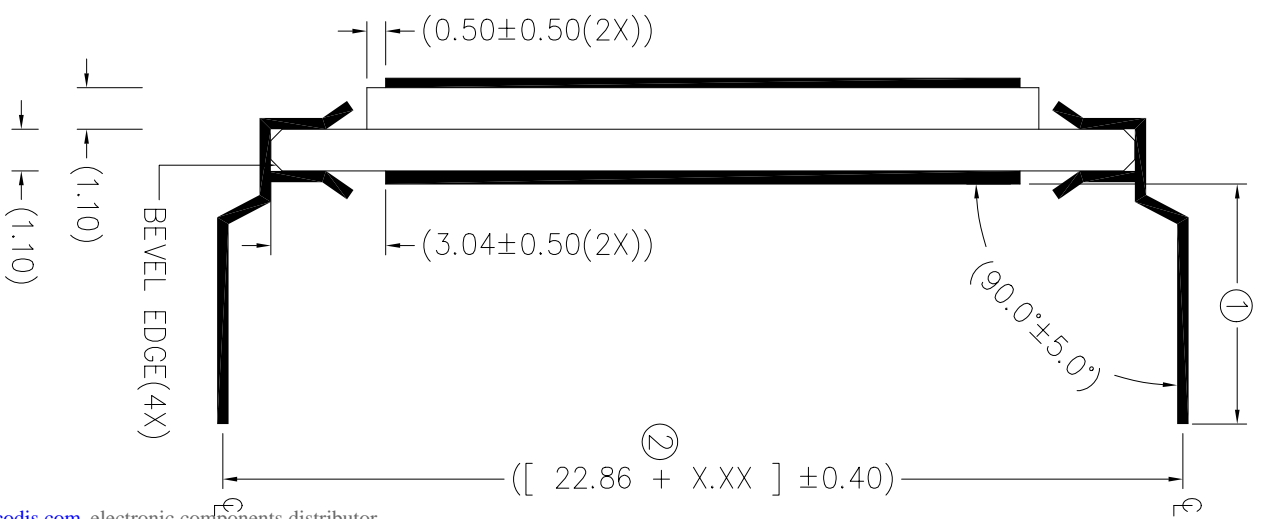
DWG.NO.: VI-321-DP (REV.0)



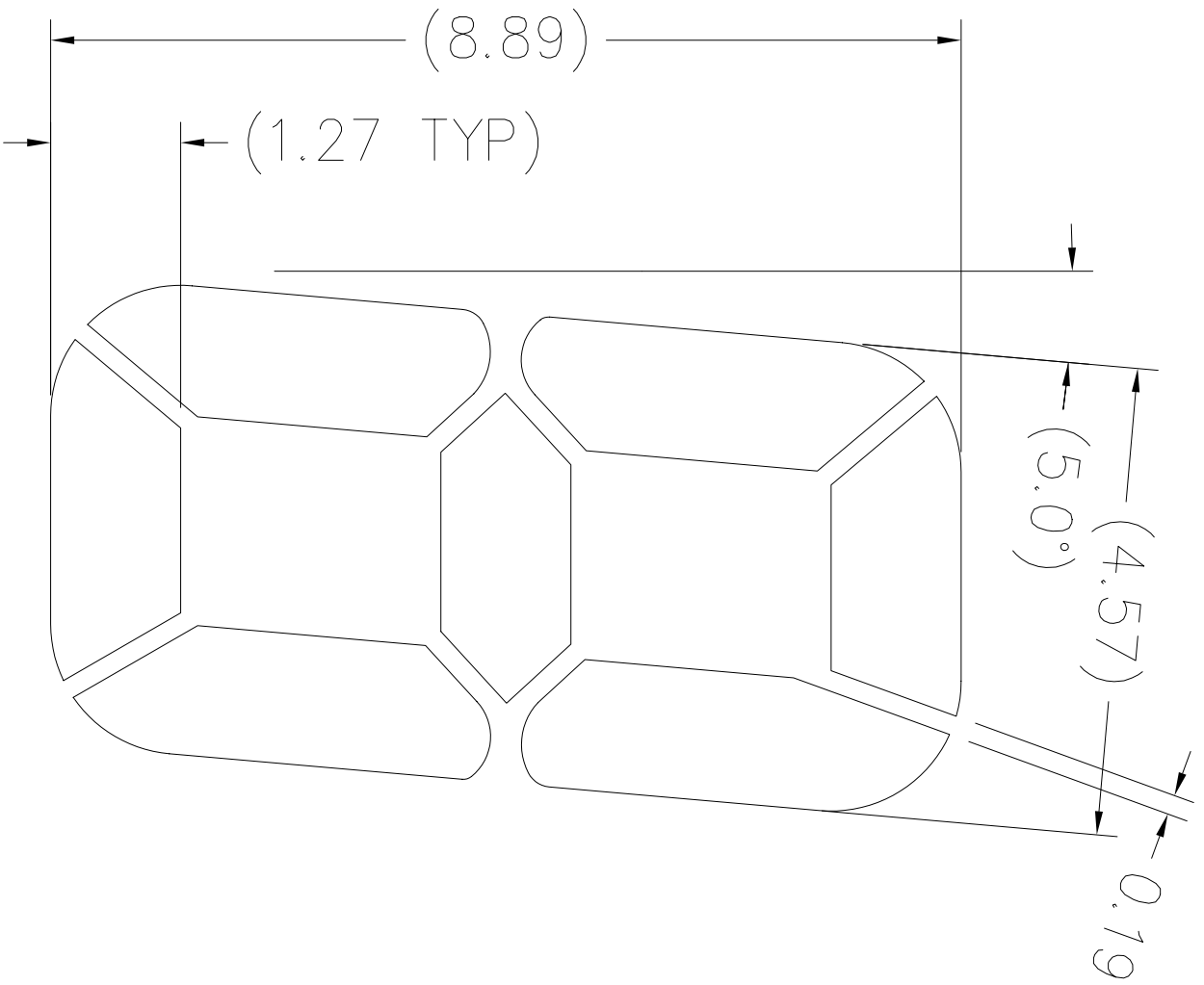
REMARK : ① --- REFER TO COVER PAGE.

② --- X.XX = 2.54 (FOR PIN LENGTH  $\geq 3.20$  &  $\leq 10.00$ mm.)

X.XX = 1.75 (FOR PIN LENGTH  $> 10.00$  &  $\leq 19.50$ mm.)

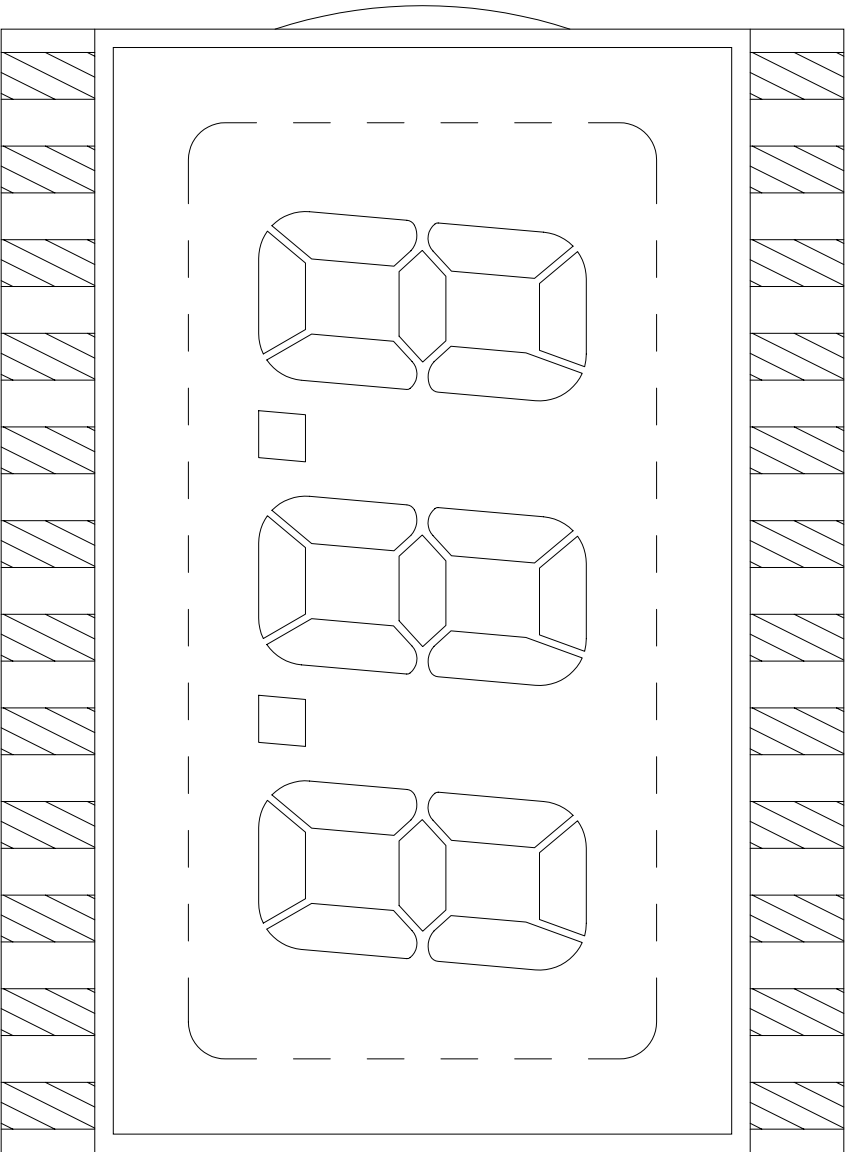


DWG.NO. : VI-321-DP (REV.0)

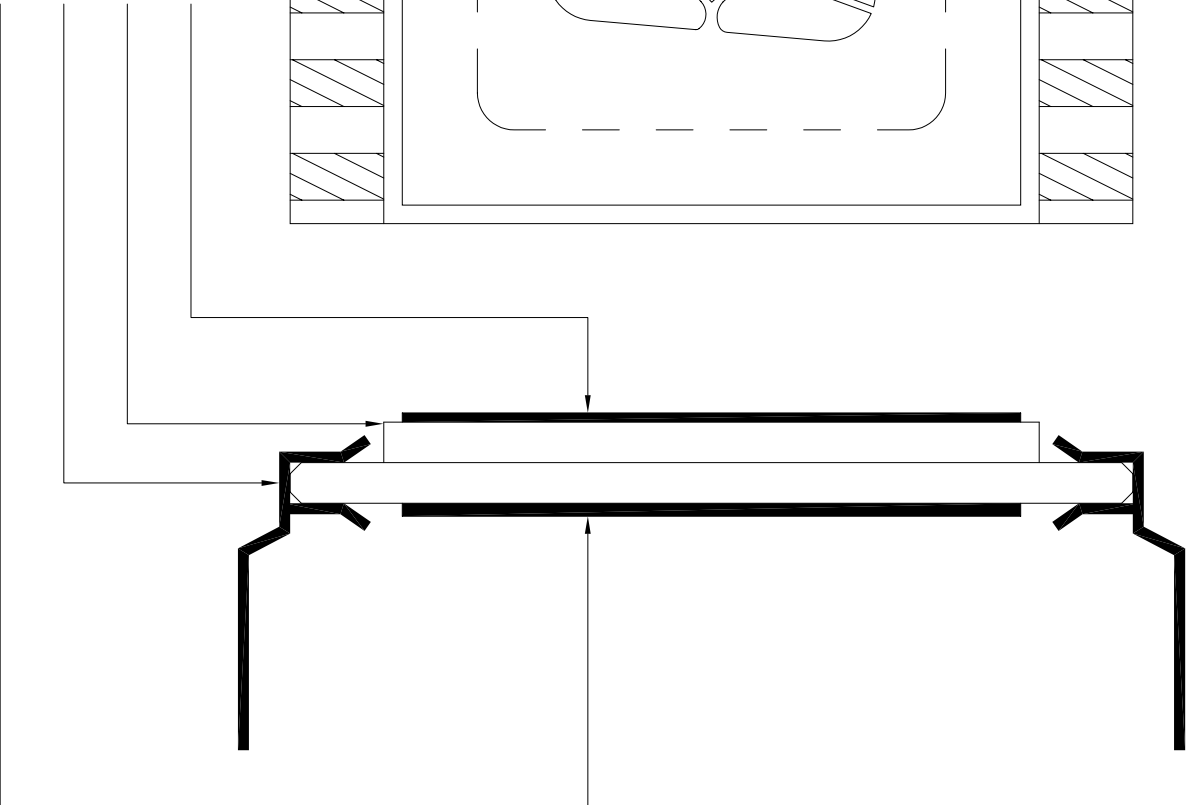


DIGIT 1-3

VARITRONIX LIMITED		OPEN LAYER : P	SCALE Do not scale
<b>POLARIZER LOCATION DIAGRAM</b>		Drawn by : YIN	Date : 2002/07/05
DOC. NO. : PL-VI-321-DP-01		Checked by : MAKD	Date : 2002/07/05
		Approval by :	Date : 2002/07/05

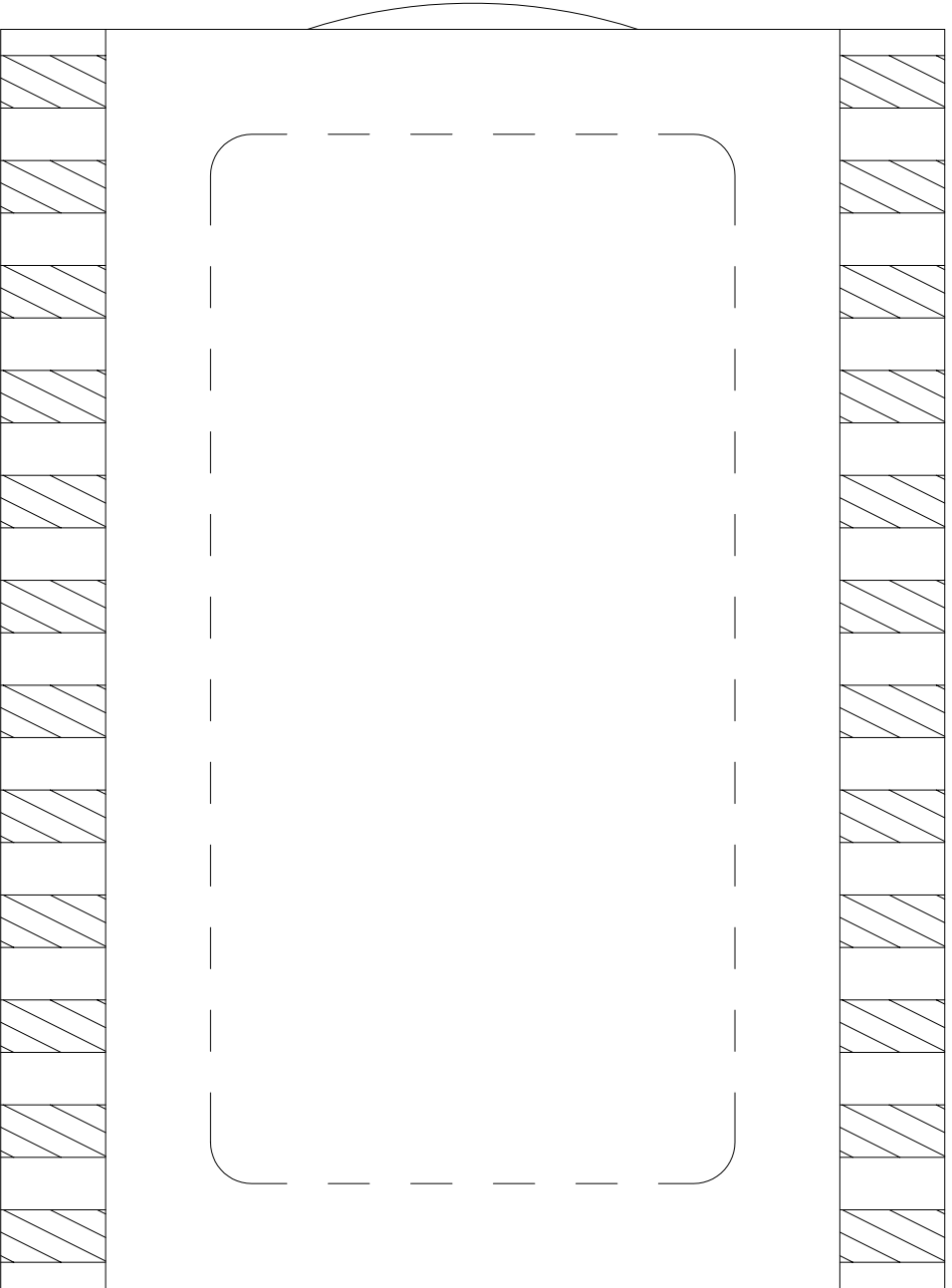


FRONT POLARIZER  
FRONT GLASS  
BACK GLASS  
BACK POLARIZER



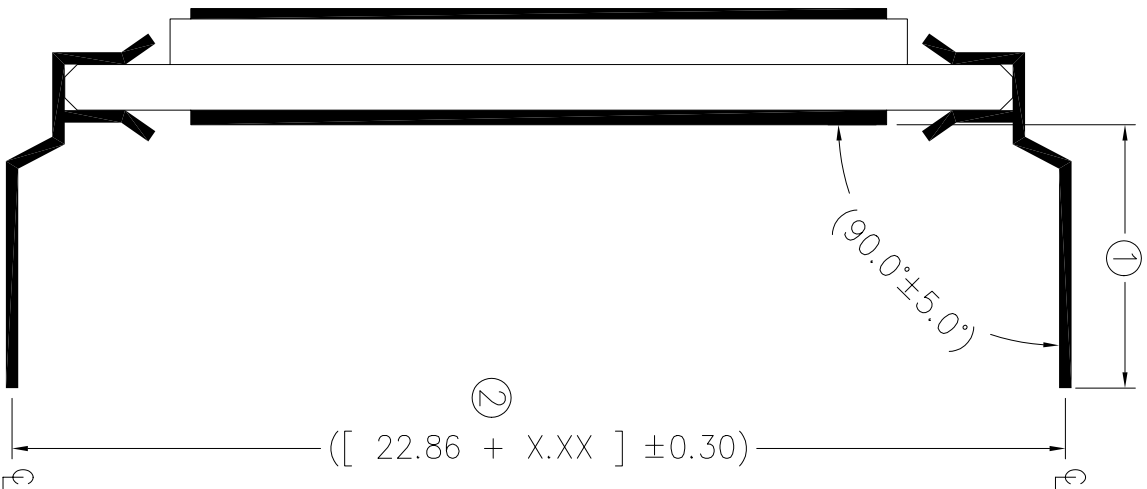
VARTRONIX LIMITED		OPEN LAYER : DP-L0	SCALE Do not scale
<b>DIL-PIN DETAILS LOCATION DIAGRAM</b>			
DOC. NO. : DP-VI-321-DP-01	Drawn by : YIN	Date : 2002/07/05	
	Checked by : MAKU	Date : 2002/07/05	
ALL DIMENSIONS IN mm	Approval by :	Date : 2002/07/05	

DWG.NO.: VI-321-DP (REV.0)



REMARK : ① ---- REFER TO COVER PAGE.

② ---- X.XX = 2.54 (FOR PIN LENGTH  $\geq$  3.20 &  $\leq$  10.00mm.)  
 X.XX = 1.75 (FOR PIN LENGTH  $>$  10.00 &  $\leq$  19.50mm.)



DWG.NO. : VI-321-DP (REV.0)

PIN	COM	PIN	COM
1	3E	13	1A
2	3D	14	1F
3	3C	15	1G
4	3DP	16	2B
5	2E	17	2A
6	2D	18	2F
7	2C	19	2G
8	2DP	20	3B
9	1E	21	3A
10	1D	22	3F
11	1C	23	3G
12	1B	24	COM