

REMARKS :) * ----- REFER TO COVER PAGE

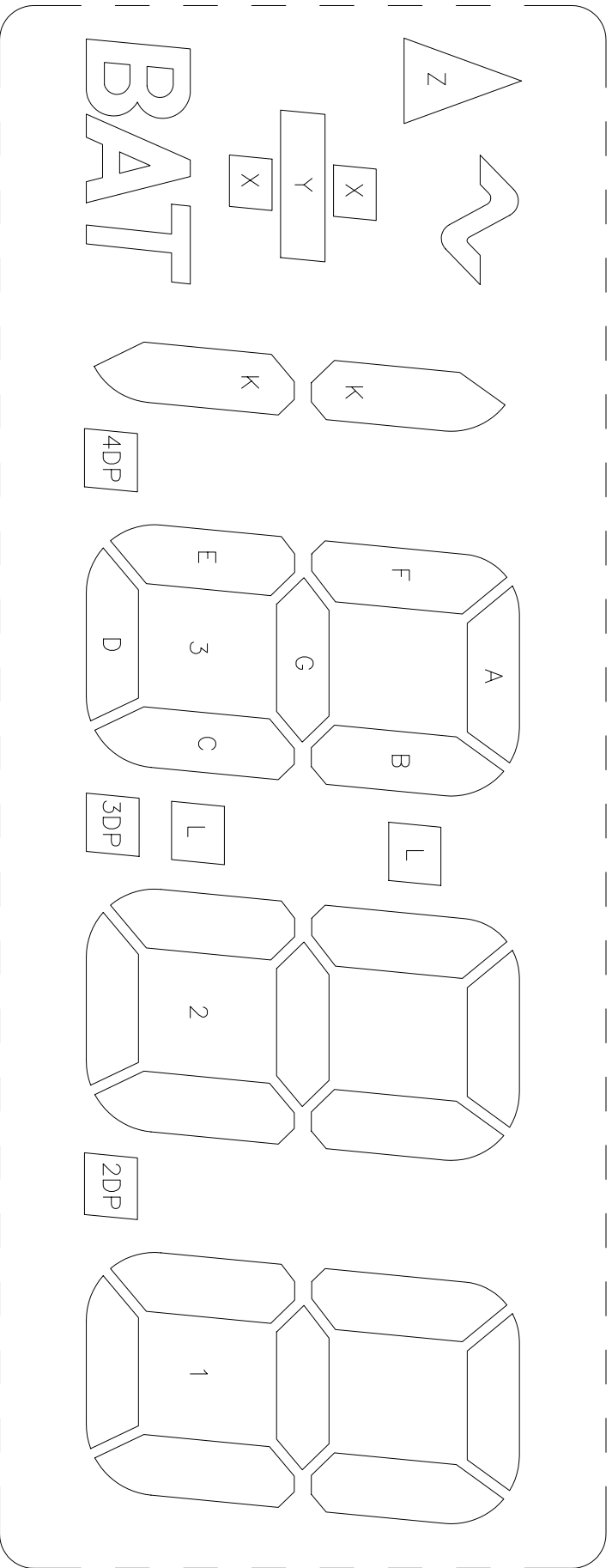
** ----- X.XX ≡ 2.54 (FOR PIN LENGTH ≥ 3.20 & ≤ 10.00mm.)
 ** ----- X.XX ≡ 1.75 (FOR PIN LENGTH > 10.00 & ≤ 19.50mm.)

VARITRONIX LTD.		TDL : 4015 IF NOT SPECIFY		DD NOT SCALE DRAWING	
DWGNO : VI-322-DP	REV : 0	Drawn by : MAKD	SIGN :	Date : 99/02/05	3rd ANGLE PROJECTION
		Checked by : MING	SIGN :	Date :	

PIN 40

DWG. NO. : VI-322-DP (REV.0)

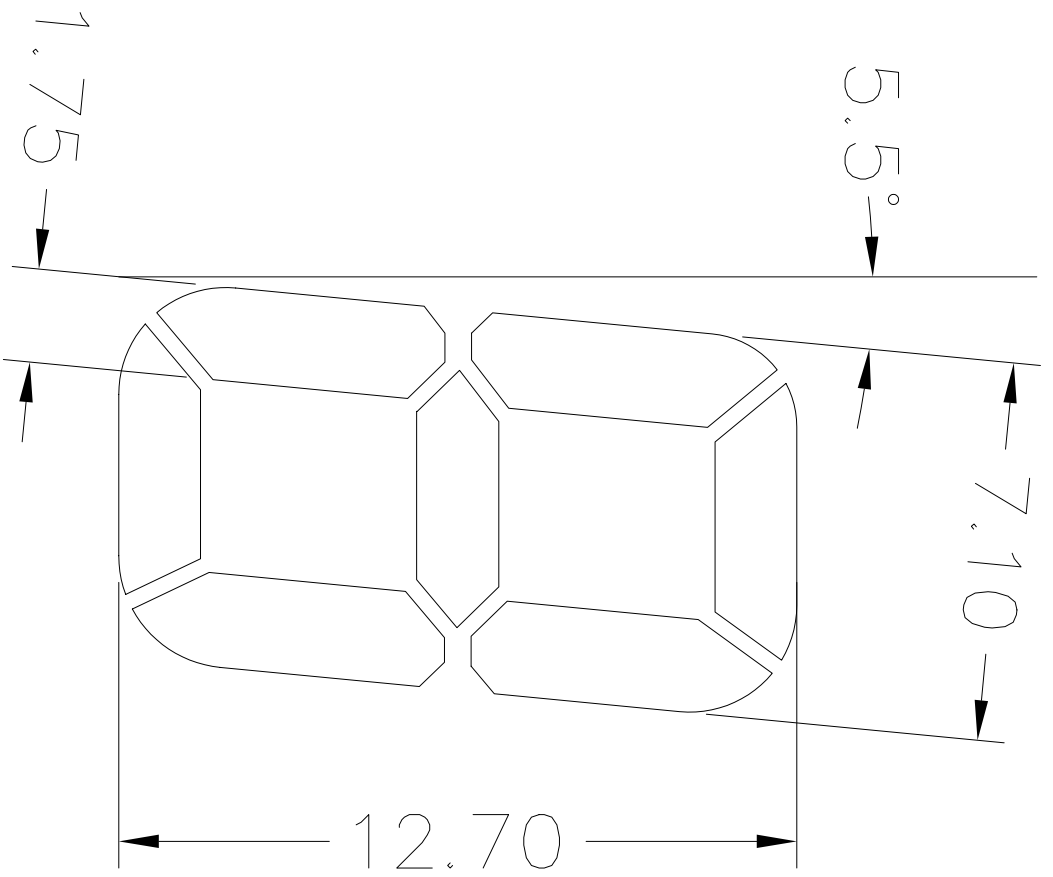
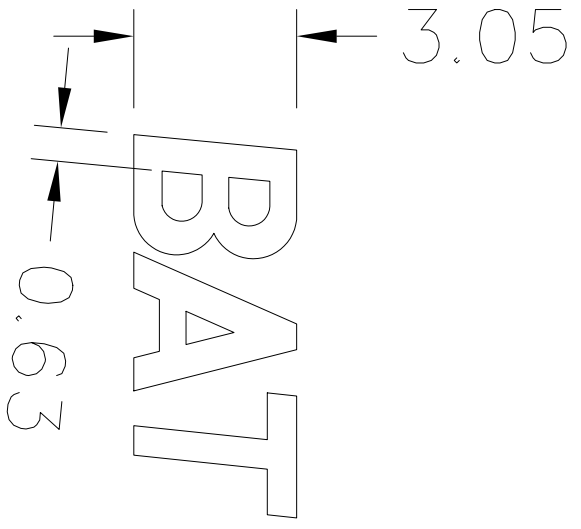
PIN 21



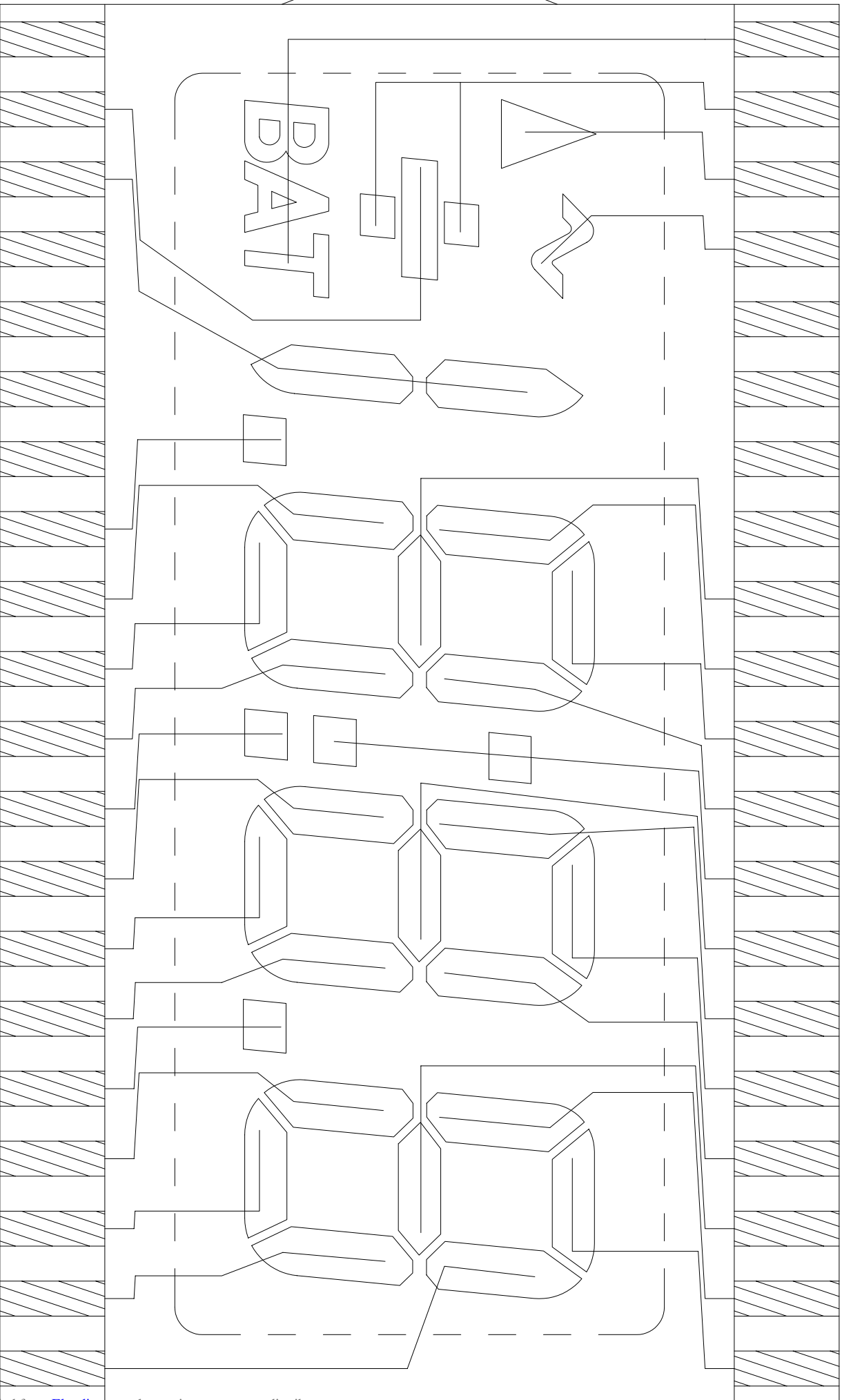
PIN 1

PIN 20

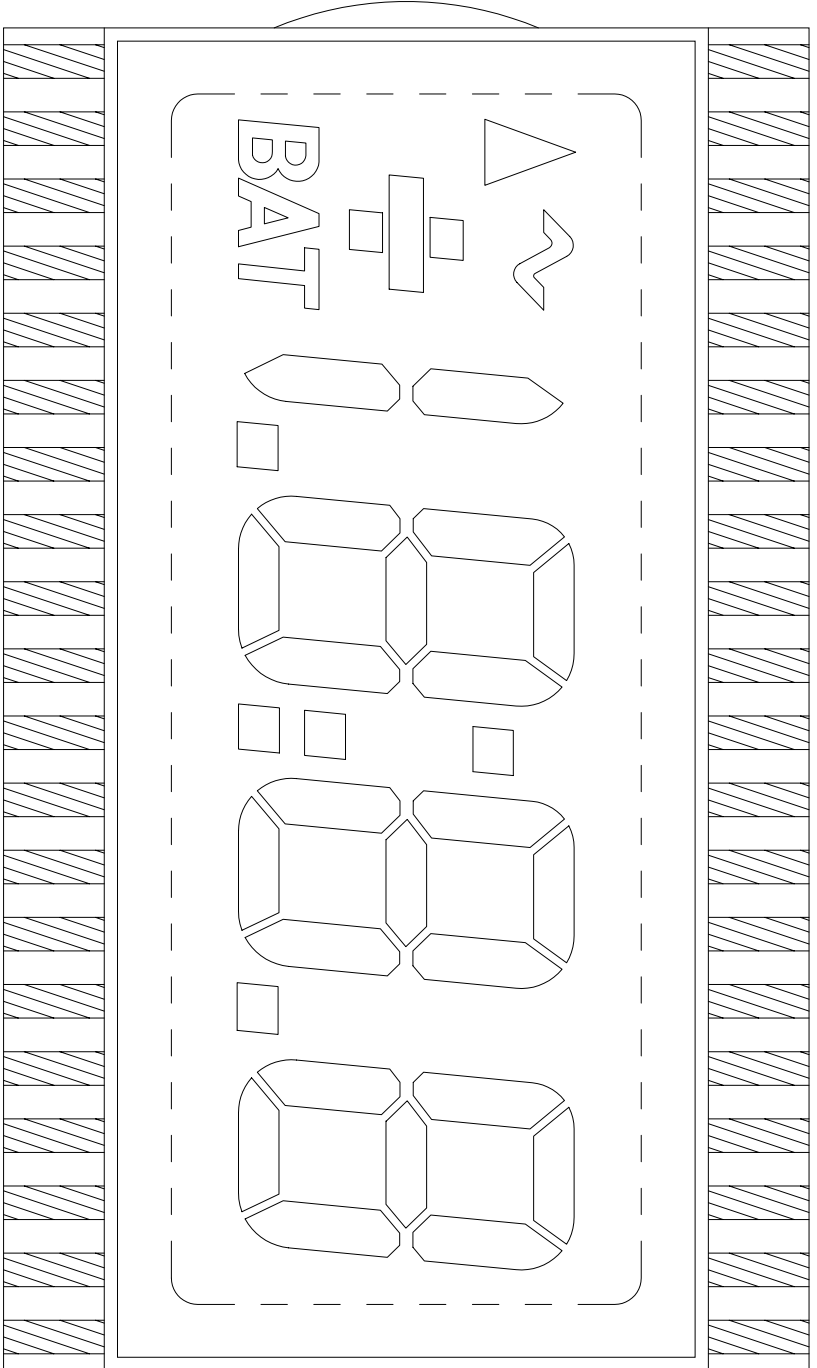
DWG. NO. : VI-322-DP (REV.0)



DWG. NO. : VI-322-DP (REV.0)
SEGMENT TRACKING



DWG. NO. : VI-322-DP (REV.0)

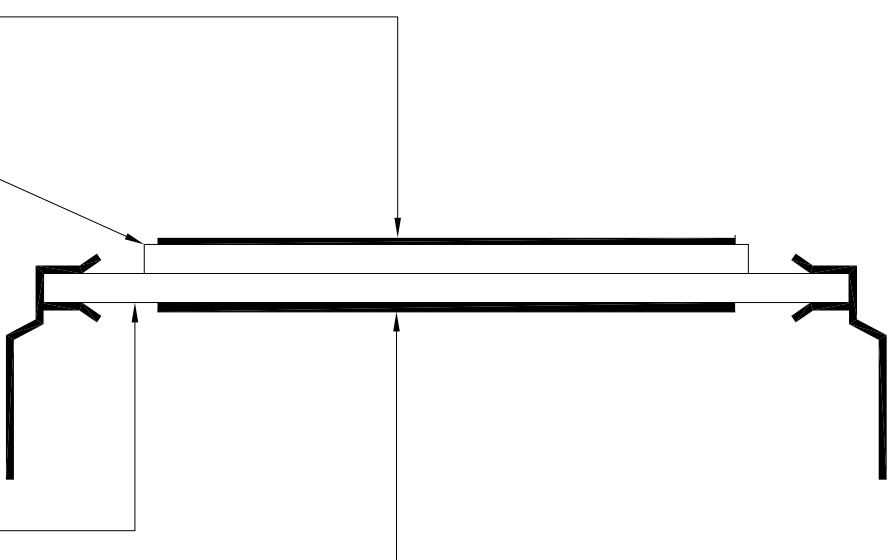


FRONT POLARIZER

FRONT GLASS

BACK GLASS

BACK POLARIZER



DWG. NO. : VI-322-DP (REV.0)

PIN	COM	PIN	COM
1	COM	21	1A
2	Y	22	1F
3	K	23	1G
4	N.C.	24	2B
5	N.C.	25	2A
6	N.C.	26	2F
7	N.C.	27	2G
8	4DP	28	L
9	3E	29	3B
10	3D	30	3A
11	3C	31	3F
12	3DP	32	3G
13	2E	33	N.C.
14	2D	34	N.C.
15	2C	35	N.C.
16	2DP	36	N.C.
17	1E	37	~
18	1D	38	Z
19	1C	39	X
20	1B	40	BAT

REMARKS : 1) N.C. = NO CONNECTION.