

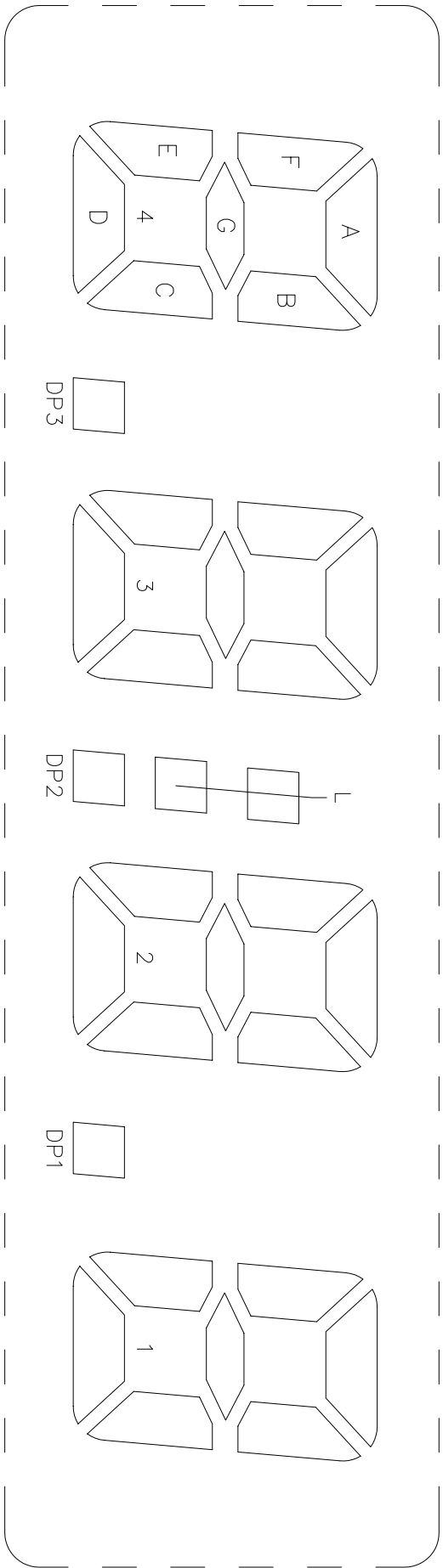
REMARKS : 1) * = REFER TO COVER PAGE
 2)** --- X.XX = 2.54 (FOR PIN LENGTH ≥ 3.20 & ≤ 10.00mm)
 ** --- X.XX = 1.75 (FOR PIN LENGTH > 10.00 & ≤ 19.50mm)

DWG NO. : VI-401-DP		REV : 0	
DRAWN BY : YIN		DATE : 98-07-13	
CHECKED BY :		DATE :	
VARTTRONIX LTD. Dimension : mm TOL : ±0.15 IF NOT SPECIFY DO NOT SCALE DRAWING		3rd ANGLE PROJECTION 	

PIN40

DWG.NO. : VI-401-DP (REV.0)

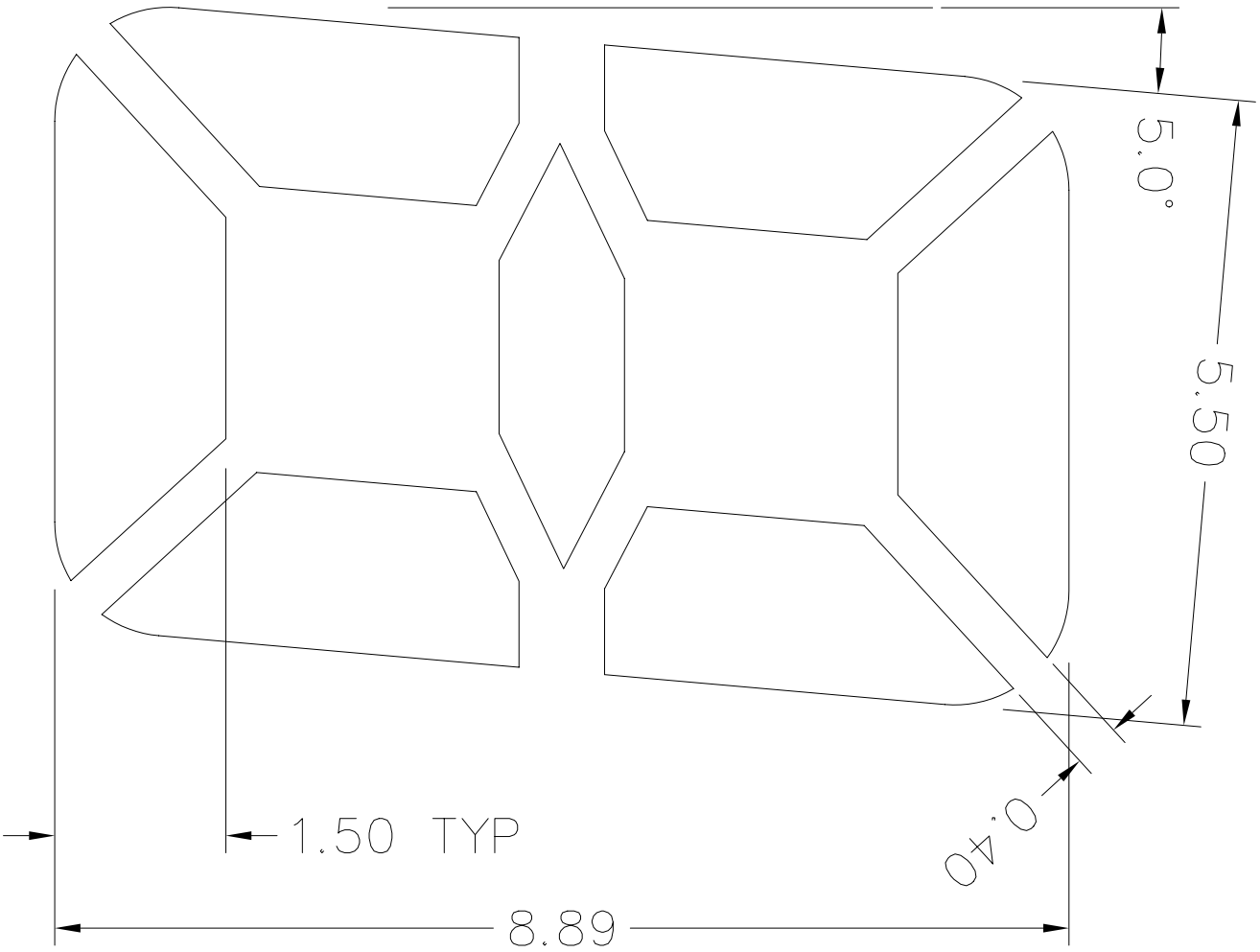
PIN21



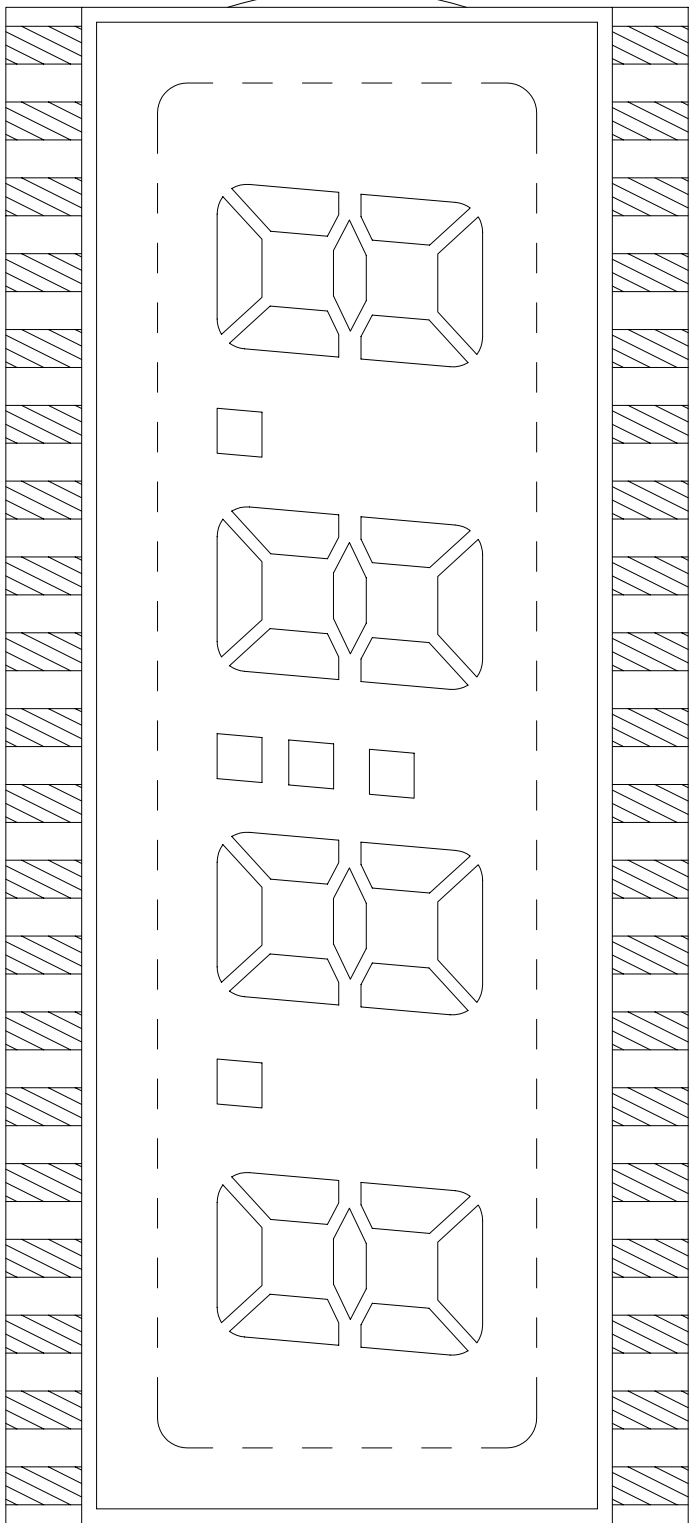
PIN1

PIN20

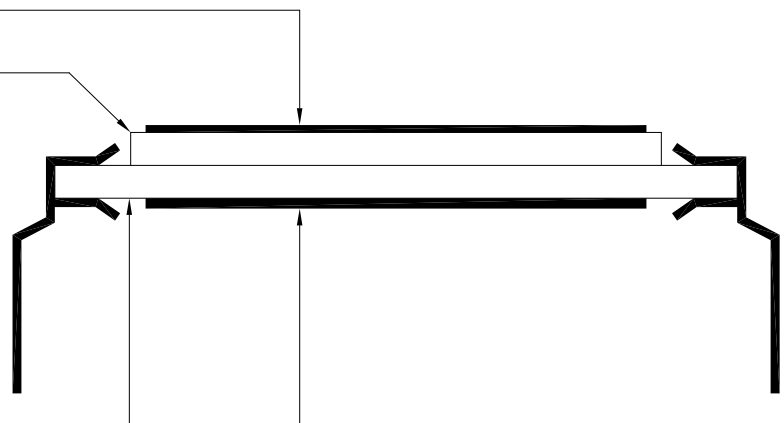
DWG.NO. : VI-401-DP (REV.0)



DWG.NO. : VI-401-DP (REV.0)



FRONT POLARIZER
FRONT GLASS
BACK GLASS
BACK POLARIZER



DWG. NO. : VI-401-DP (REV.0)

PIN	COM1
1	COM1
2	N.C.
3	N.C.
4	N.C.
5	4E
6	4D
7	4C
8	DP3
9	3E
10	3D
11	3C
12	DP2
13	2E
14	2D
15	2C
16	DP1
17	1E
18	1D
19	1C
20	1B

PIN	COM1
21	1A
22	1F
23	1G
24	2B
25	2A
26	2F
27	2G
28	L
29	3B
30	3A
31	3F
32	3G
33	N.C.
34	4B
35	4A
36	4F
37	4G
38	N.C.
39	N.C.
40	COM1

REMARKS : 1) N.C. = NO CONNECTION
2) P.C.B. LINKAGE : PIN 1 & PIN 40