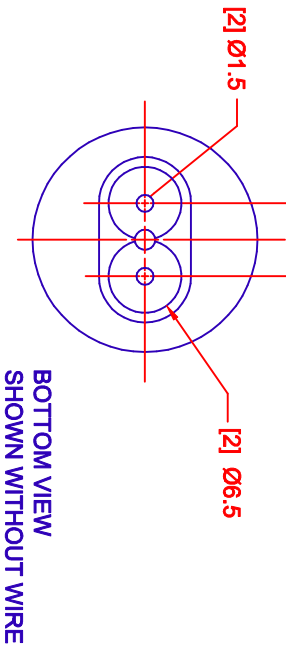
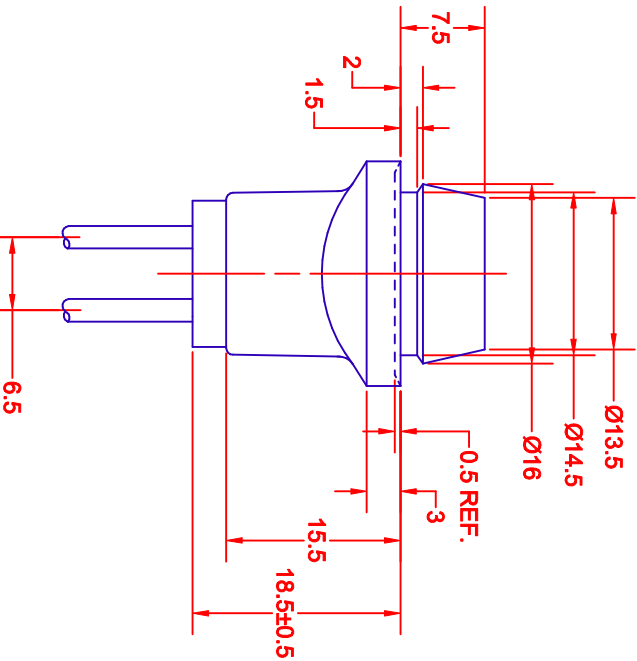
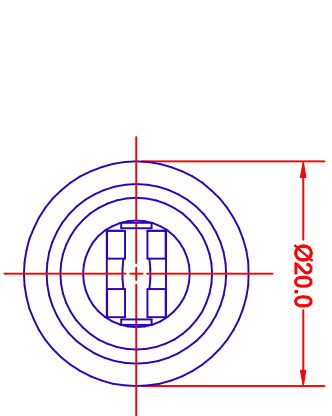
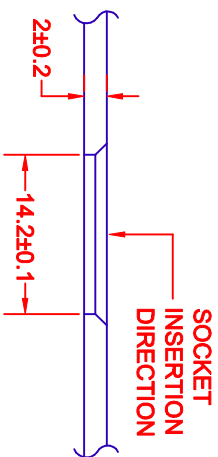


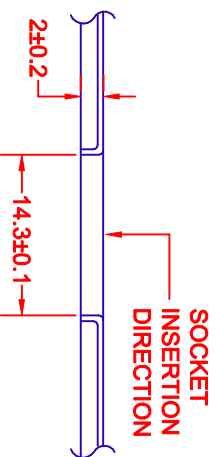
REV.	DESCRIPTION/ECO NO.	DATE
	RELEASED AS CAD	9/11/02



PLASTIC PANEL



METAL PANEL



BASE COLOR: GRAY

METRIC	THIRD ANGLE PROJECTION	DIMENSIONS ARE IN MILLIMETERS	TOLERANCE UNLESS OTHERWISE SPECIFIED	1 PL +/- 0.2	2 PL +/- 0.20	ANGLE +/- 0
DRAWN BY	L. WENGSTROM	APPR'D BY	J.K.	DATE	9/11/02	SIZE
SCALE	NONE	FCOM NO.	55335	DRAWING NO.	SOCKET 2964	TITLE
JKL COMPONENTS CORPORATION						
T-3 1/4 PUSH-IN TYPE SOCKET						
RELEASED DATE	9/11/02	REVISION DATE		REV. NO.	1	SHEET 1 OF 1

- CAD DRAWING -
MANUAL REVISIONS NOT PERMITTED