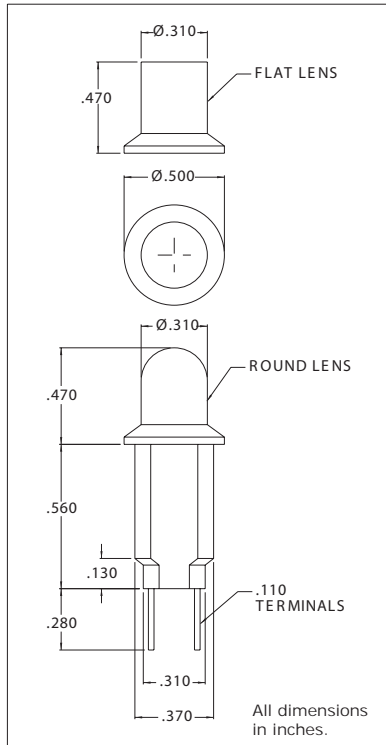




4610 Series Relampable Indicator Light

DESCRIPTION AND FEATURES



Ordering Information:

For use with T-1 3/4 wedge-based lamps, complete assembly consists of socket (4610) lamp and lens (see chart below). Items supplied unassembled. Lamp lens and socket must be ordered separately.

Mounting: Model 4610 (without thread) supplied with push-on speednut SN3486. Mounting hole can be keyed to prevent rotation. Mounting hole pattern on page SP2.

Lens: Polycarbonate, twist-on, positively held

Bezel: Polished stainless steel.

Socket: Black Nylon

Lens Color Table		
Color	Round Lens No.	Flat Lens No.
Red	4621	4631
Clear	4622	4632
Amber	4623	4633
White	4624	4634
Green	4625	4635
Blue	4626	4636
Yellow	4627	4637