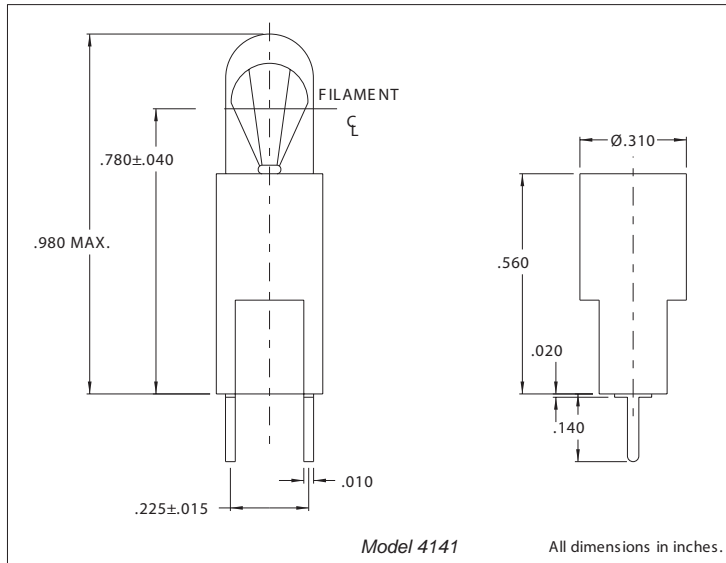


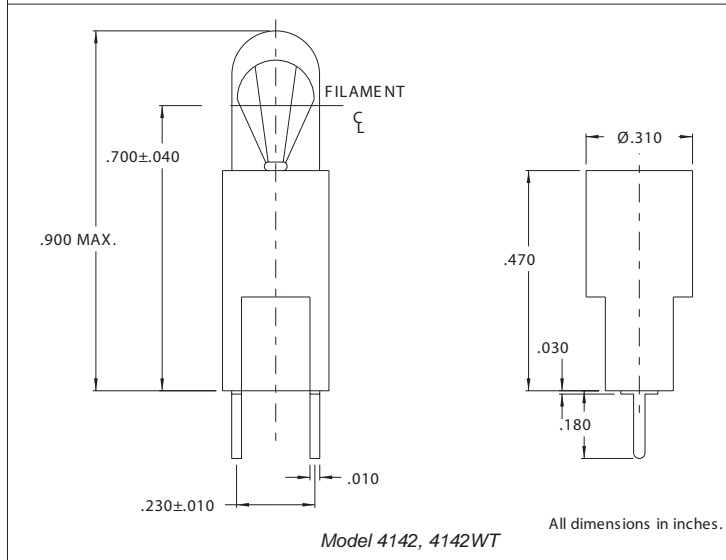


4141, 4142 and 4142WT Series Relampable Socket

DESCRIPTION AND FEATURES



Mounting: Printed circuit Board
 Mounting pattern on page SP2.
 Terminals: Tinned brass
 Housing: White nylon
 Lamp: T-1 3/4 Wedge base
 Note: Lamps must be ordered separately.



Mounting: Printed circuit Board
 Mounting pattern on page SP2.
 Terminals: Tinned brass
 Housing: Black nylon for 4142,
 White nylon for 4142WT
 Lamp: T-1 3/4 Wedge base
 Note: Lamps must be ordered separately.