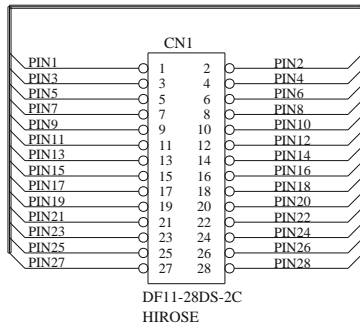
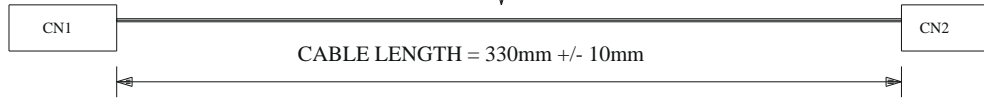


TOLERANCE:

+10mm
-10mm

CABLE TIE
WITH "P/N 4206875-12" TAG

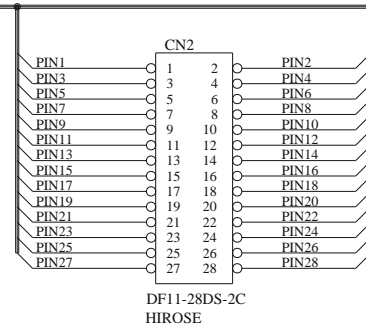


CONNECTOR:
HIROSE, DF11-28DS-2C X 2 PCS
DF11 CRIMP TERMINAL X 56 PCS
TIN PLATED

WIRE: 330mm
UL1571 AWG28, RED X 1 PC
UL1571 AWG28, BLACK X 27 PCS

CONNECTION:
ONE TO ONE

LABELING:
A P/N LABEL SURROUNDED AT THE MIDDLE OF PIN 1



DF11-28DS-2C
HIROSE

USAGE: PANEL CABLE FOR SHARP 15" AND 18" PANEL

CABLE P/N: 4206875-12
NAME: DF11-28WAY, 330mm

DIGITAL VIEW LTD. COPYRIGHT 2000. ALL RIGHTS RESERVED CONFIDENTIAL DRAWN BY: KENNETH TSANG		
Title PANEL CABLE: DF11-28WAY, 330mm		
Size A	Document Number (G:_D\J\JV_CABLE\C0687512.SCH)	REV 02
Date: July 19, 2000	Sheet 1	of 1