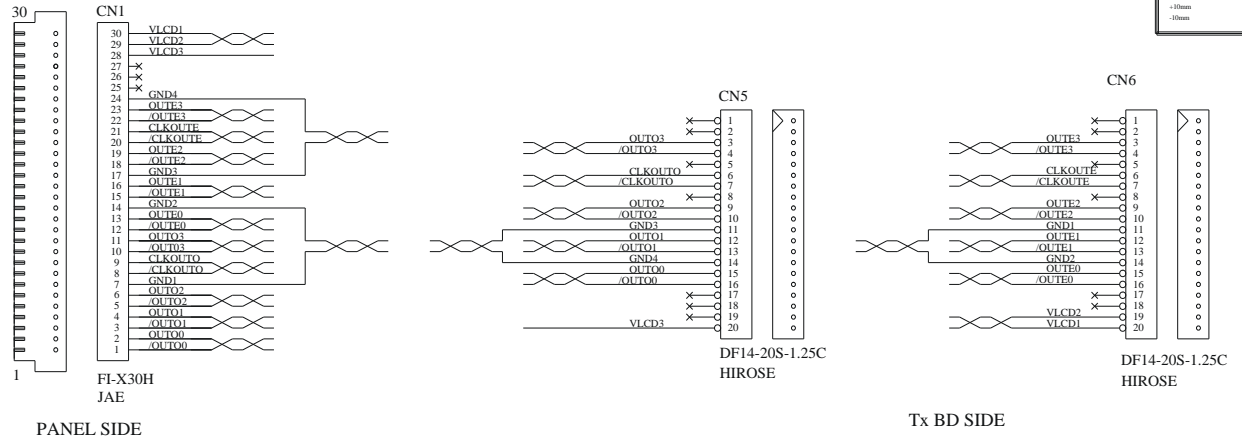
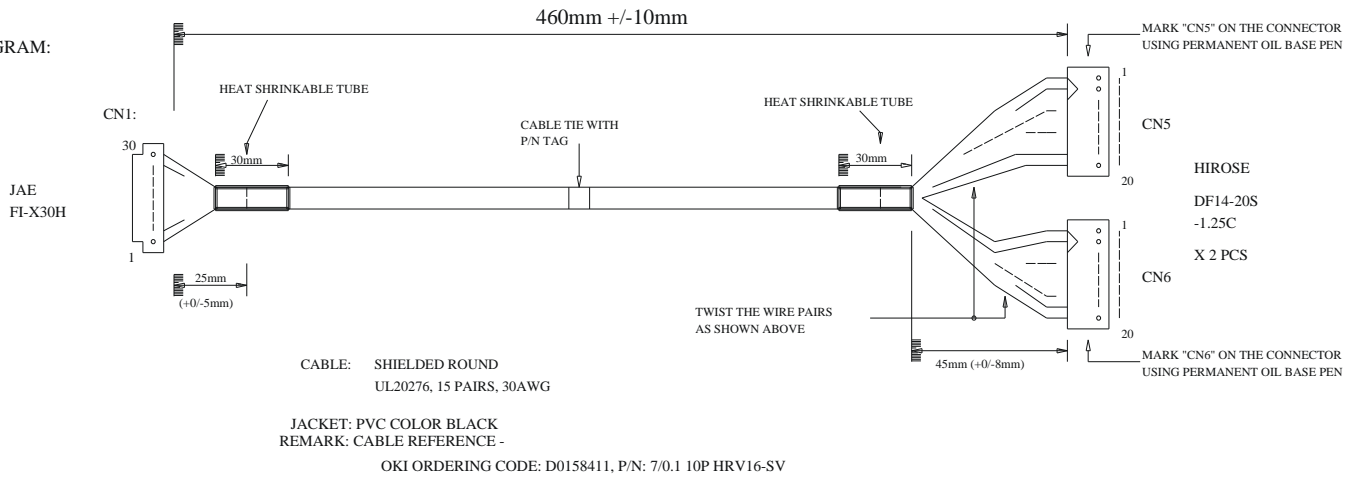


CONNECTION DIAGRAM:



CONSTRUCTION DIAGRAM:



USAGE: LVDS CABLE FOR SAMSUNG LTM170E4-L01 SXGA PANEL  
(WITH LVDS Tx. BOARD: P/N:4162138-00)

P/N 4264730-00

LVDS CABLE: SAMSUNG LTM170E4-L01, 460mm

DIGITAL VIEW LTD. COPYRIGHT 2001, ALL RIGHTS RESERVED CONFIDENTIAL DRAWN BY: DICK CHUNG			
Title: LVDS CABLE: SAMSUNG LTM170E4-L01, 460mm			
Size	Document Number		REV
B	(G..._DV/DEV_CABLE/CS473000.SCH)		01
Date:	July 5, 2001	Sheet	1 of 1