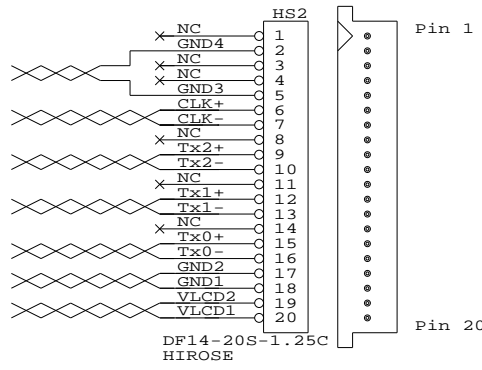
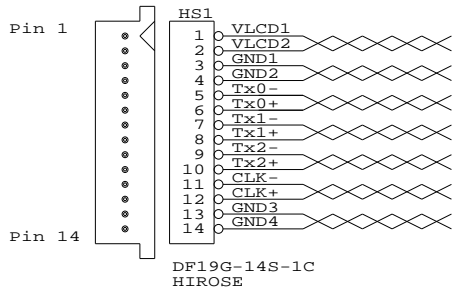
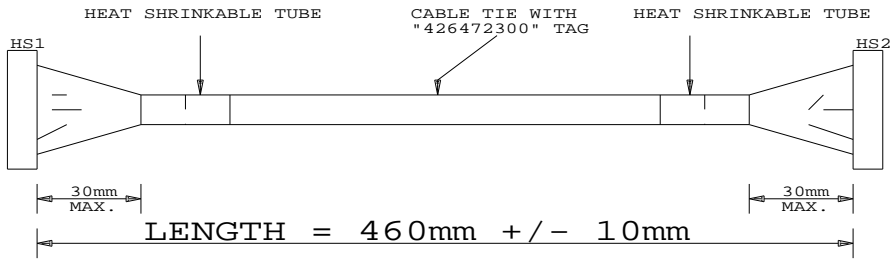


TOLERANCE :
 +10mm
 -10mm



DF19G-14S-1C
 HIROSE

DF14-20S-1.25C
 HIROSE



USAGE:
 FOR SAMSUNG LTN104S1-L01 10.4" SVGA PANEL

CABLE: SHIELDED ROUND
 UL 20276, 7 PAIRS, 30AWG, L=460mm
 JACKET: PVC COLOR BLACK

P/N 4264723-00
 LVDS PANEL CABLE:
 ROUND PAIRED FOR SVGA LVDS PANEL, 460mm

DIGITAL VIEW LTD. COPYRIGHT 2002, ALL RIGHTS RESERVED CONFIDENTIAL		
DRAWN BY: DICK CHEUNG		
Title P.CABLE: ROUND PAIRED FOR SVGA PANEL, 460mm		
Size A	Document Number (G:\...\DV\DV_CABLE\C6472300.SCH)	REV 01
Date: September 20, 2002	Sheet	1 of 1