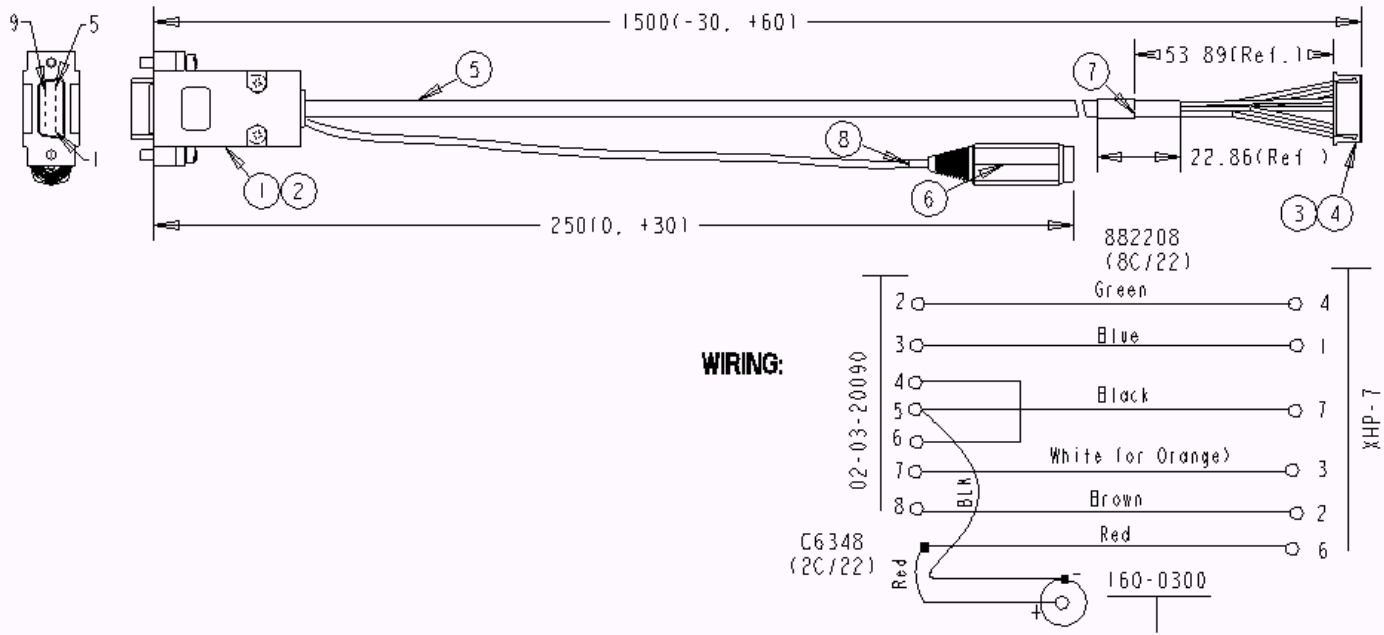
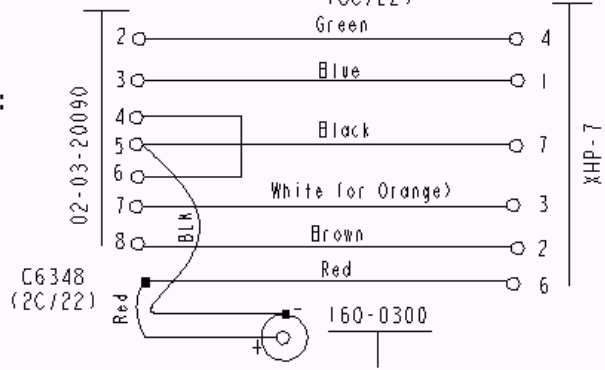


Note:

1. Use AWG24 for all wire (don't use twisted pair)
2. Use any color for jumper



WIRING:



REVISEMENTS	1.0	Added an Orange Color for option to White	04/02/03	<p>THIRD ANGLE PROJECTION</p>	UNIT	mm	CAD FILE NO.	ntc-04-0002	R232 Cable with Power for Model 3000			
						UNLESS OTHERWISE NOTED, ALL LINEAR TOLERANCES ARE -1, +2%		Noritake Co., Inc. Noritake Technology Center		PART NO.	NTC-04-0002	
				PAGE					DRN	SX	DATE	4/17/02
									CHK	GC	DATE	01/02/03