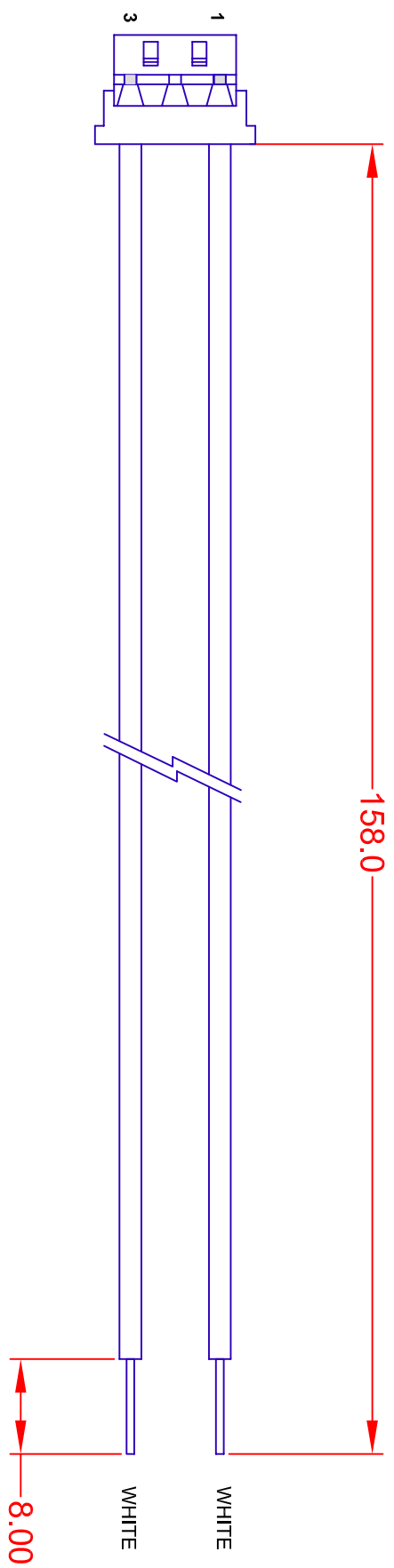


REV.	DESCRIPTION/ECO NO.	DATE
	RELEASE & CANCEL BXA-12562/CONN2	2/26/03
A	ADD ROHS NOTE: WIRE CONTACT	2/9/07



PIN	WIRE TYPE	AWG	COLOR
1	UL 3613	22	WHT
2	NC		
3	UL 3613	22	WHT

- NOTES:
1. HOUSING QZ-19-3F01 (HONDA)
 2. CONTACT QZ-19-F114A (HONDA)
 3. ROHS COMPLIANCE
(CONTACT JKL FOR ROHS LOT IDENTIFICATION)

JKL PART NO.: BXC-10567

METRIC	DIMENSIONS ARE IN MILLIMETERS	TITLE
 THIRD ANGLE PROJECTION	TOLERANCE UNLESS OTHERWISE SPECIFIED 1 PL +/- 4.0 2 PL +/- 0.50 ANGLE +/- 0	JKL COMPONENTS CORPORATION OUTPUT CONNECTOR HARNESS
DRAWN BY L. WENGSTROM	APPV'D BY L.R.	DATE 2/9/07
- CAD DRAWING - MANUAL REVISIONS NOT PERMITTED	SIZE A	FSCM NO. 55335
	SCALE NONE	DRAWING NO. BXC-10567
	RELEASED DATE 2/26/03	REVISION DATE 2/9/07
	REV. NO. A	SHEET 1 OF 1