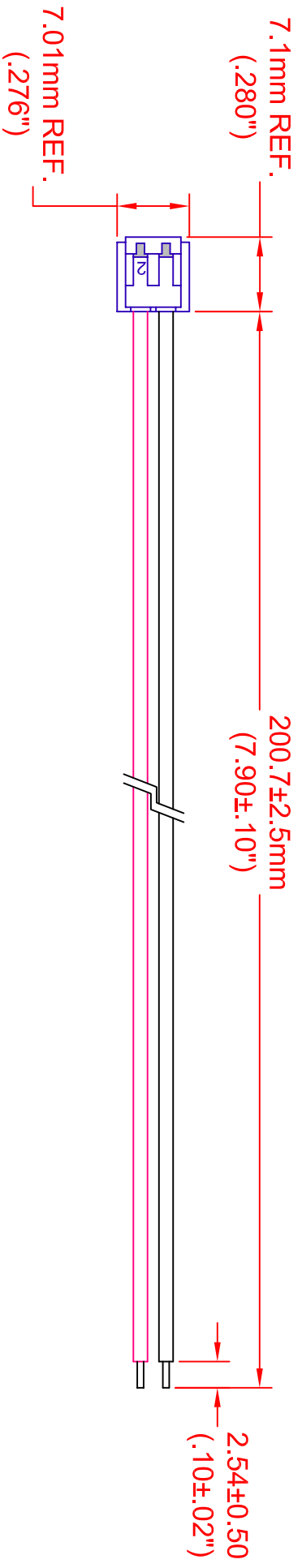


REV.	DESCRIPTION/ECO NO.	DATE
	RELEASE & CANCEL PL-0711-01	1/23/08
A	ADD REV. NOTE	1/31/08
B	CHNG. NOTE REF. NO.	8/6/08



PIN	WIRE TYPE	AWG	COLOR
1	UL 1007	24	BLACK
2	UL 1007	24	RED

JKL PART NO.: ZCH-200-1

METRIC		DIMENSIONS ARE IN mm (INCHES)		TITLE	
 THIRD ANGLE PROJECTION		TOLERANCE UNLESS OTHERWISE SPECIFIED 1 PL +/- REF. 2 PL +/- REF. ANGLE +/- 0		JKL COMPONENTS CORPORATION INPUT CONNECTOR HARNESS	
DRAWN BY	L. WENGSTROM	APP'D BY	L.R.	DATE	8/6/08
SCALE	A	SIZE	FSCM NO.	DRAWING NO.	ZCH-200-1
- CAD DRAWING -		MANUAL REVISIONS NOT PERMITTED		RELEASED DATE	1/23/08
				REVISION DATE	8/6/08
				REV. NO.	B
				SHEET NO.	1 OF 1

USED WITH JKL ZRS-8480 LED LIGHT BARS