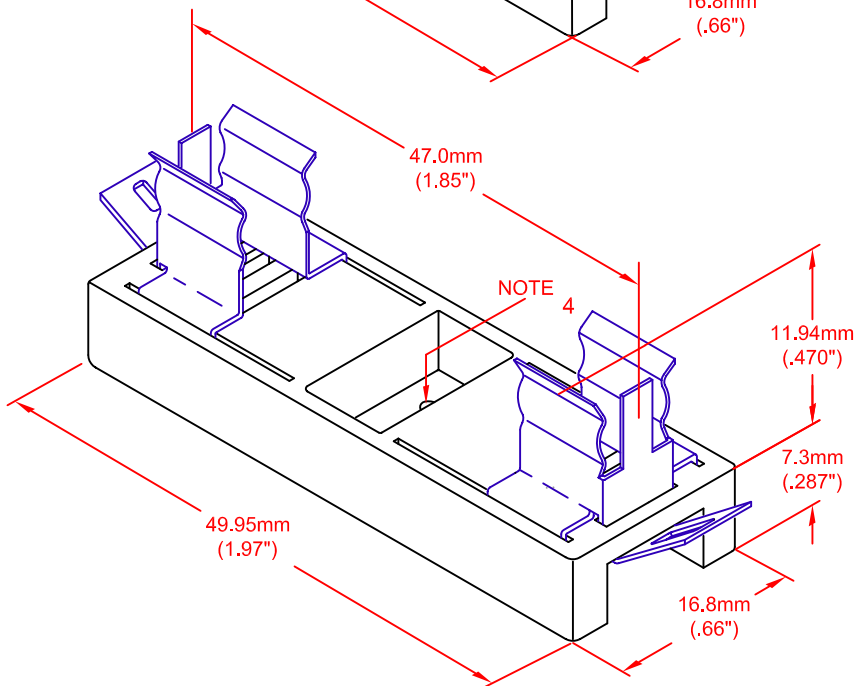


JKL PART NO.: 2910F-42



JKL PART NO.: 2910F-47

NOTES:

1. TAB SIZE REFERENCE DIMENSIONS: .244" wide X .30" deep X .016 thick.
KEYSTONE P/N 4470 QUICK-FIT SOCKET MAY BE USED FOR CONTACT.
2. LAMP SIZES FOR EACH HOLDER:
-42 HOLDER CAN HOLD LAMPS FROM 30mm TO 40mm LONG
-47 HOLDER CAN HOLD LAMPS FROM 37mm TO 44mm LONG
3. MINIMUM CONTACT DIAMETER .30"
4. LOCATION OF MOUNTING HOLE. HOLE DIA. : Ø3.5mm REF.
5. BODY MATERIAL: DUPONT FR50
MAX. WITHSTAND TEMPERATURE 130C
MAX. INTERMITTENT TEMPERATURE 180C
MAX. WATTAGE: -42 10W
 -47 18W

| | | | | | | | | | | |
|-----------------|----------------------------|------------|---|--|--|----------|---------------|---------------|----------|--------|
| E CHANGE NOTE 2 | | 3/9/10 | <p>THIRD ANGLE PROJECTION</p> | <p>METRIC</p> <p>DIMENSIONS ARE IN MILLIMETERS</p> <p>TOLERANCE UNLESS OTHERWISE SPECIFIED</p> <p>1 PL +/- REF.</p> <p>2 PL +/- REF.</p> <p>ANGLE +/- 0</p> | <p>JKL COMPONENTS CORPORATION</p> <p>TITLE: FESTOON HOLDER</p> | | | | | |
| D | ADDED NOTES | 8/7/08 | | | | | | | | |
| C | CORR. MATERIAL DESCRIPTION | 11/13/07 | | | | | | | | |
| B | ADD NOTES | 8/18/06 | | | | | | | | |
| A | ADD PART NO. 2910F-47 | 6/30/06 | DRAWN BY | APPVD BY | DATE | SIZE | FSCM NO. | DRAWING NO. | 2910F | |
| | RELEASED | 6/12/06 | L. WENGSTROM | L. R. | 3/9/10 | A | 55335 | | | |
| REV. NO. | DESCRIPTION/ECO NUMBER | APPVD DATE | - CAD DRAWING - MANUAL REVISIONS NOT PERMITTED | | | SCALE | RELEASED DATE | REVISION DATE | REV. NO. | SHEET |
| | | | | | | NONE | 6/12/06 | 3/9/10 | E | 1 OF 1 |