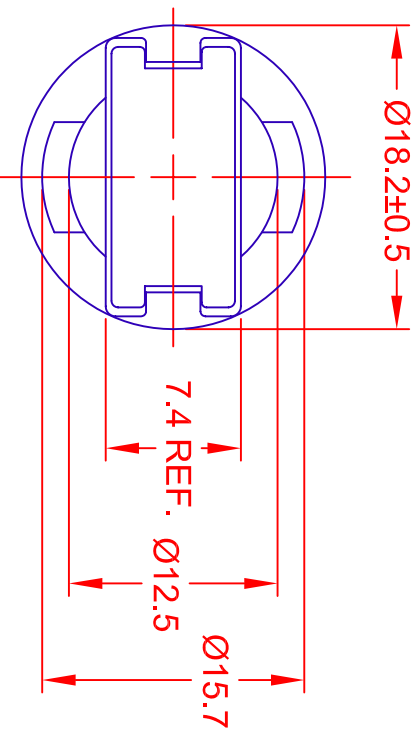
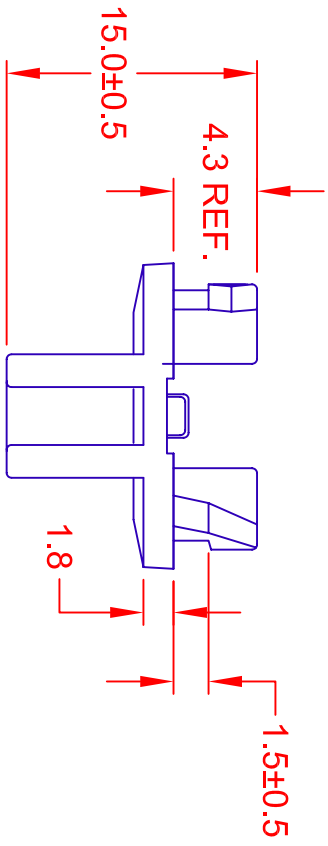
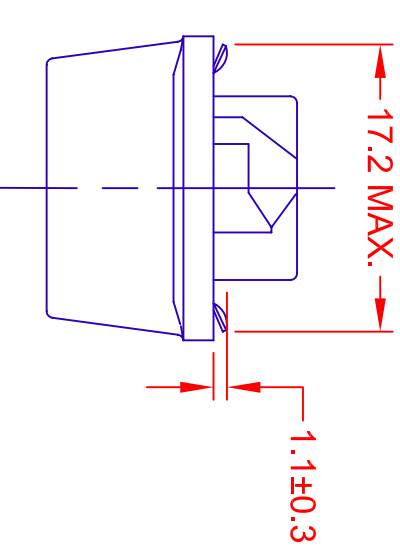
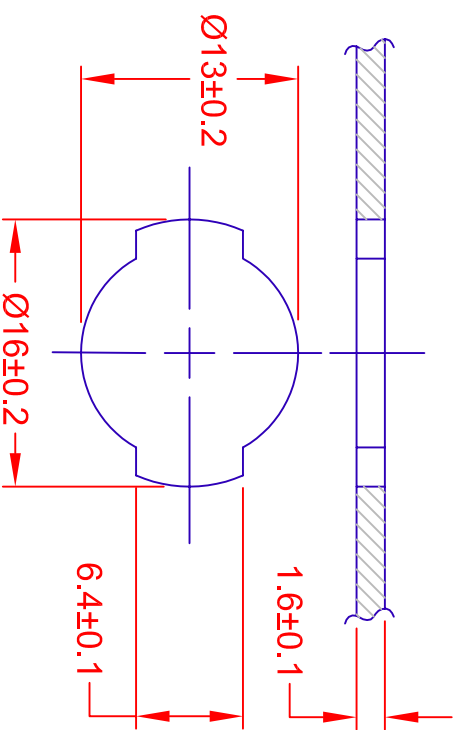
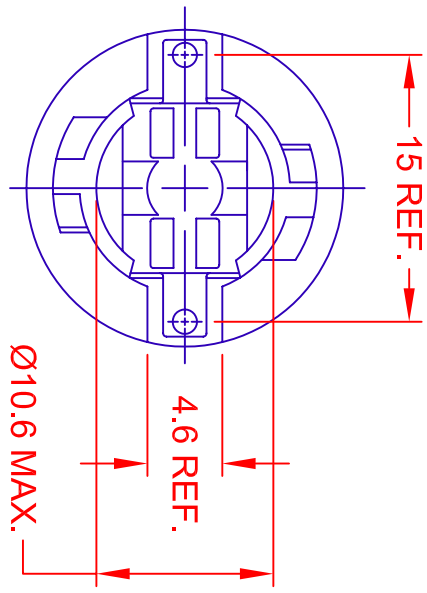


REV.	DESCRIPTION/ECO NO.	DATE
	RELEASED AS CAD	8/26/02
A	CHANGE MECH. ART	7/24/06
B	CHANGE CONTACT DIMENSION	8/18/06
C	CHANGE DIM. 5 TO 4.3 REF.	2/5/07

P.C. BOARD PUNCH PATTERN



BASE COLOR: BLACK

METRIC THIRD ANGLE PROJECTION		DIMENSIONS ARE IN MILLIMETERS TOLERANCE UNLESS OTHERWISE SPECIFIED 1 PL +/- 0.2 2 PL +/- 0.20 ANGLE +/- 0	
JKL COMPONENTS CORPORATION		TITLE T-3 1/4 WEDGE BASE LAMP SOCKET	
DRAWN BY L. WENGSTROM	APP'VD BY L.R.	DATE 2/5/07	SIZE A
- CAD DRAWING - MANUAL REVISIONS NOT PERMITTED		FSCM NO. 55335	SCALE NONE
RELEASED DATE 8/26/02		DRAWING NO. SOCKET 2933	REVISION DATE 2/5/07
REV. NO. C		SHEET 1 OF 1	